



IMPORTANT INFORMATION

for SPE SERIES

**This cooler has passed the
QUALITY CONTROL INSPECTION
and meets the high standards at
Beverage-Air. This inspection includes
complete refrigeration system,
cabinet construction & finish.**

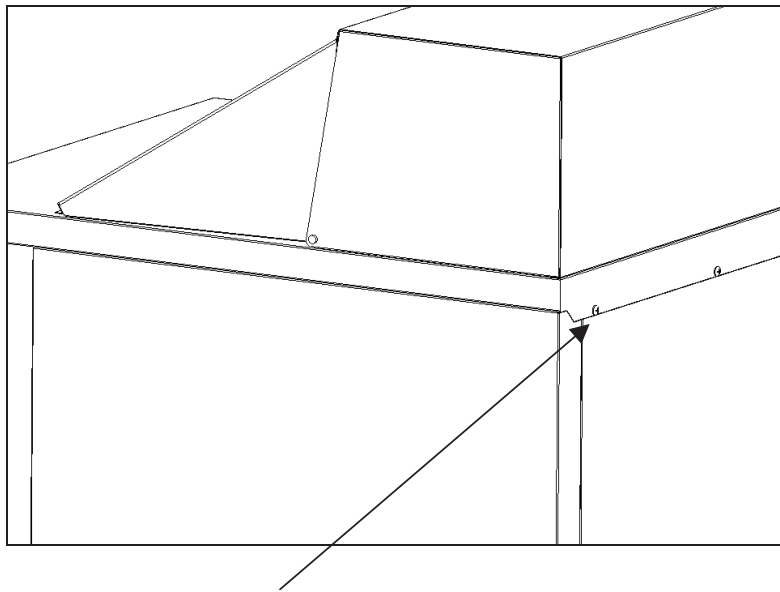
**IMPORTANT
PLEASE RETAIN FOR YOUR RECORDS**

**SALES OFFICE: 3779 CHAMPION BLVD. • WINSTON-SALEM, NC 27105
PHONE: 336-245-6400 TOLL FREE: 800-845-9800
TECHNICAL SERVICE: 800-684-1199 PARTS ORDER FAX: 800-262-9381
PLANT: BROOKVILLE, PENNSYLVANIA**

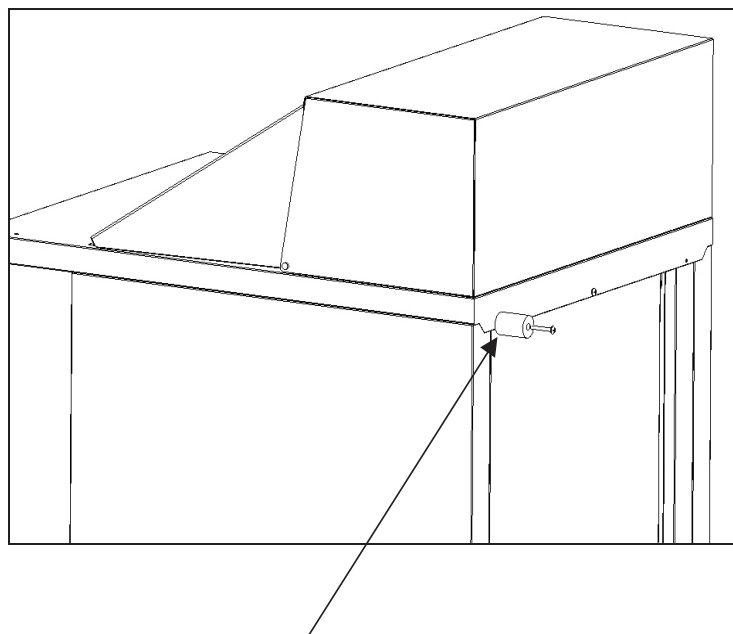
IMPORTANT

**INSTALL BUMPERS ON THE REAR OF UNIT
PRIOR TO USE. FAILURE TO DO SO
WILL VOID THE WARRANTY.**

BACK BUMPER INSTALLATION INSTRUCTION



- Remove the screw from the back of the unit.



- Install the bumpers at both ends with the provided screws.



BEVERAGE-AIR®

INSTALLATION AND OPERATING INSTRUCTIONS

REFRIGERATORS — SPE: 27, 48, 60, 72
FREEZERS — UCF/WTF27A, UCF/WTF48A

ILA-0800-REV. B

• INSTALLATION

- **RECEIVING INSPECTION:** Upon receipt, check all packages for accessories or optional components, including legs, casters and shelves.
- **DOOR HANDLES:** Remove door handle from bag inside cabinet and install on outside of door. The screw heads must be filled with NSF listed RTV.
- **SHELVES:** Shipped inside each cabinet are plastic wrapped shelves and a bag of shelf supports. Shelf spacing is adjustable to suit requirements.
- **PILASTERS** (SP/WTR/UCR: 27, 48, 60, 72): The pilasters can be removed, without the use of tools, for cleaning.
- **LEGS & CASTERS:** Each cabinet is provided with 4 legs or casters shipped inside the cabinet. The legs or casters screw directly into an adapter nut provided in each corner of the base.
- **LOCATING COOLER:** Provide at least 2 inches of space between cabinet rear and adjacent wall.

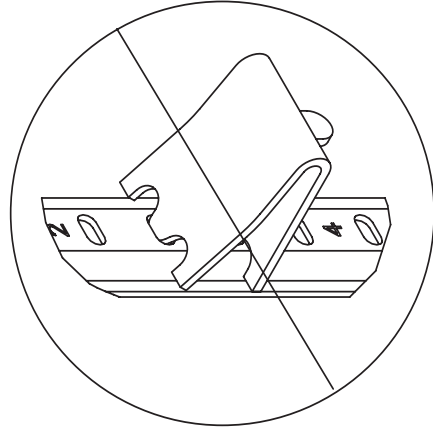
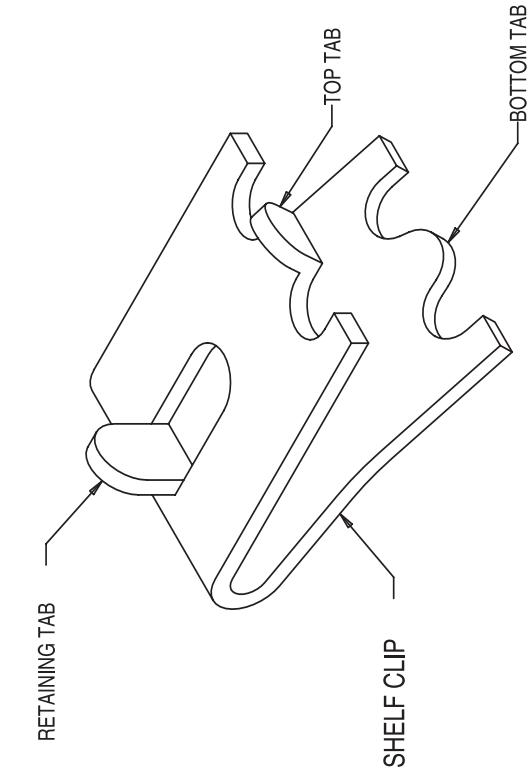
• OPERATION

- **ELECTRICAL SUPPLY & CONNECTIONS:** Plug all standard models into a 115 volts A.C. 60 Hz. outlet. Low line voltage is often the cause of service complaints. Check to see that the line voltage is 110 volts or more with the unit running. Other motors or heavy appliances should not be used on the same circuit with the cooler. When working on the inside of the cooler, disconnect from electrical circuit for safety reasons. **CAUTION: If an extension cord is necessary, use only a 3-wire grounding type of wire, size 16 AWG or larger. DO NOT exceed 20 feet in length. The use of ungrounded cords or overload circuit voids compressor warranty.**
- **INITIAL START-UP:** Turn power on and check to verify that the condenser fan is running.
- **TEMPERATURE CONTROL:** Factory setting of temperature control is at No. 5 position (normal) on control dial which will maintain the product at about 38°F. For colder temperatures, turn knob clockwise one number at a time. Excessive tampering with the control could lead to service difficulties. For operation above 3000 feet altitude, have thermostat adjusted by a qualified service technician.
- **CONDENSATE DISPOSAL:** The aluminum pan below the evaporator serves to collect and direct the condensate to the evaporator pan located just below the unit. Airflow over the pan hastens the evaporation process so that external plumbing is not required.
- **FREEZER DEFROST SYSTEM:** Defrost timers are factory set for (6) twenty minute defrosts per 24-hour period. The start time for defrosting should be set to occur during lightest usage of the cabinet. Choose defrost time desired and turn adjusting cam until defrost is activated. Defrost will then occur every four hours. The adjusting cam is located on the face of the evaporator housing.

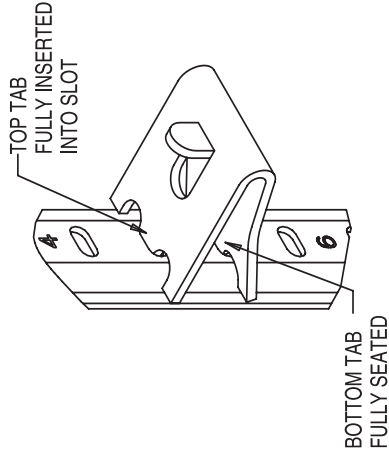
• CLEANING

- **CLEANING CABINET EXTERIOR:** Cabinets should be cleaned with a solution of mild soap and water. Do not use caustic soap or abrasive cleaners, since these might damage the cabinet finish. If stainless steel surface becomes discolored, scrub by rubbing only in the direction of the finish grain. Do not use steel wool.
- **CLEANING INTERIOR SURFACES:** The inside of the cabinet is Anodized Aluminum. To clean, use mild soapy water and cloth or sponge.
- **CONDENSER:** For efficient operation, it is recommended that the condenser coil and fans be cleaned every 3 to 6 months. Remove rear grille for access. Vacuum clean front surface of coil thoroughly or direct forced air through condenser fins. **Failure to clean condenser can cause compressor malfunction and will void warranty.**
- **CONDENSATE PAN:** Condensate pan should be cleaned periodically to prevent odors and to maintain evaporating efficiency.

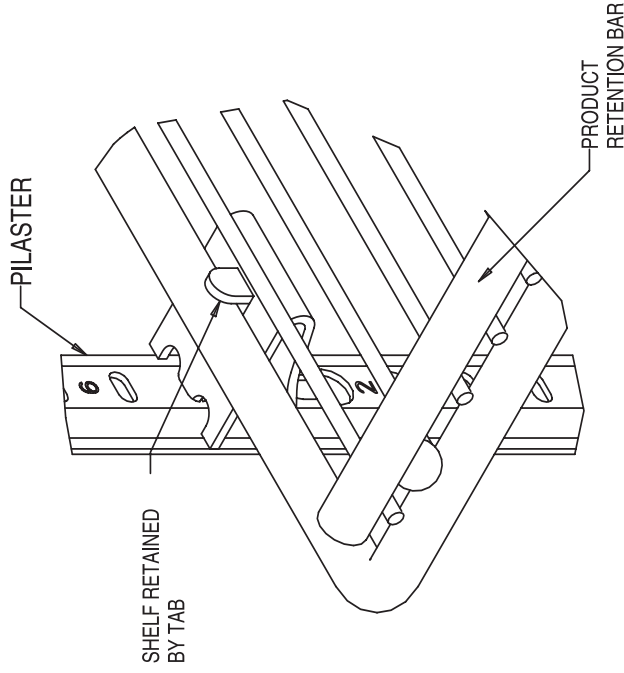
SHELF CLIP INSTALLATION



IMPROPERLY INSTALLED
CLIP (UPSIDE DOWN)



PROPERLY INSTALLED
CLIP



INSTALLATION INSTRUCTIONS

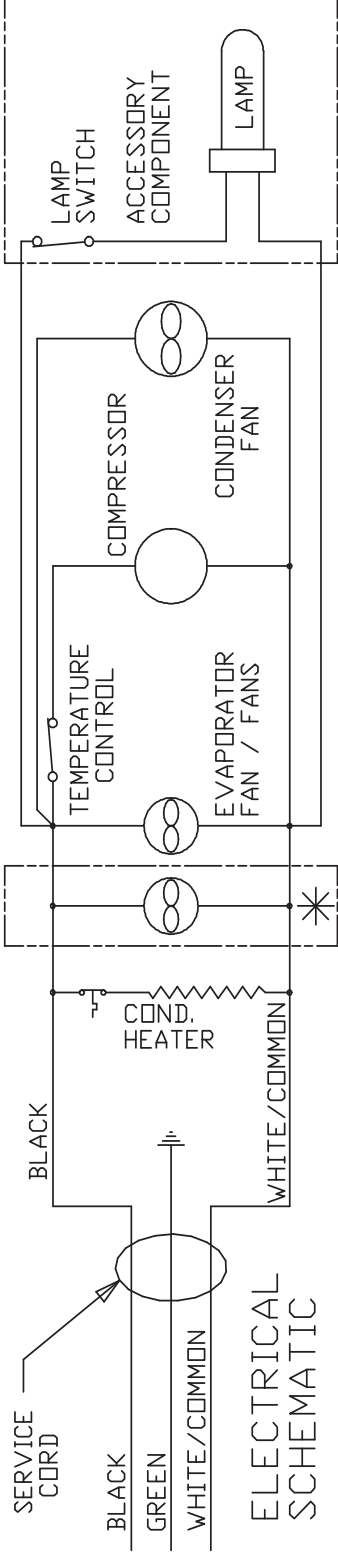
- 1) DETERMINE PROPER LOCATION FOR SHELF CLIPS. THE REFERENCE NUMBERS ON THE PILASTER CAN SERVE AS A GUIDE TO ENSURE ALL CLIPS ARE PROPERLY LOCATED.
- 2) INSERT TOP TAB OF THE SHELF CLIP INTO THE DESIRED HOLE OF THE PILASTER. THE RETAINING TAB SHOULD BE FACING UPWARDS AS SHOWN.
- 3) ROTATE THE CLIP DOWNWARDS AND INSERT THE BOTTOM TAB INTO THE APPROPRIATE HOLE ON THE PILASTER. THE CLIP MAY NEED TO BE SQUEEZED SLIGHTLY DURING INSTALLATION.
- 4) INSTALL ALL REMAINING CLIPS AS DESCRIBED ABOVE.
- 5) INSTALL SHELVES ONTO CLIPS WITH THE PRODUCT RETENTION BAR FACING UPWARD. BE CAREFUL NOT TO DISLodge CLIPS DURING SHELF INSTALLATION.
- 6) SHELVES MUST BE PLACED SUCH THAT THE RETAINING TAB ON THE SHELF CLIP CAPTURES THE SHELF AS SHOWN.
- 7) PRIOR TO LOADING THE SHELF, ENSURE THAT THE SHELF IS RESTING ON EACH OF 4 CLIPS AND THE CLIPS ARE INSTALLED AS SHOWN.

WARNING

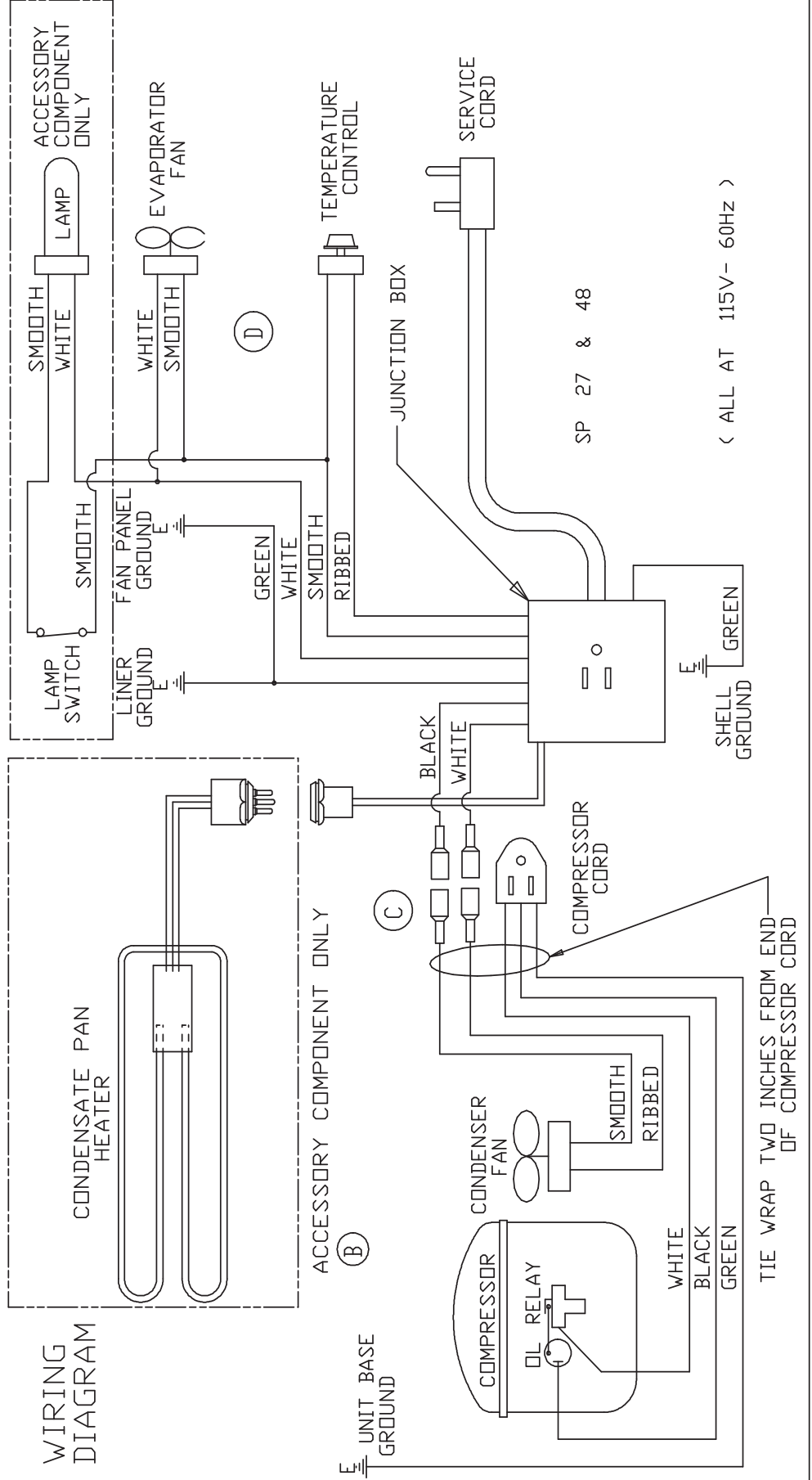
- IMPROPER SHELF CLIP INSTALLATION MAY CAUSE SHELF AND/OR PRODUCT TO FALL RESULTING IN DAMAGE TO THE UNIT AND BODILY INJURY.
- DO NOT OVERLOAD THE SHELVES. THE UNIT IS DESIGNED TO UTILIZE ALL SHELVES THAT ARE SUPPLIED IN AN EQUALLY SPACED MANNER. IF LESS SHELVES OR A DIFFERENT CONFIGURATION IS DESIRED, CONTACT THE MANUFACTURER TO ENSURE SHELF OVERLOADING WILL NOT OCCUR.

IL-1792B

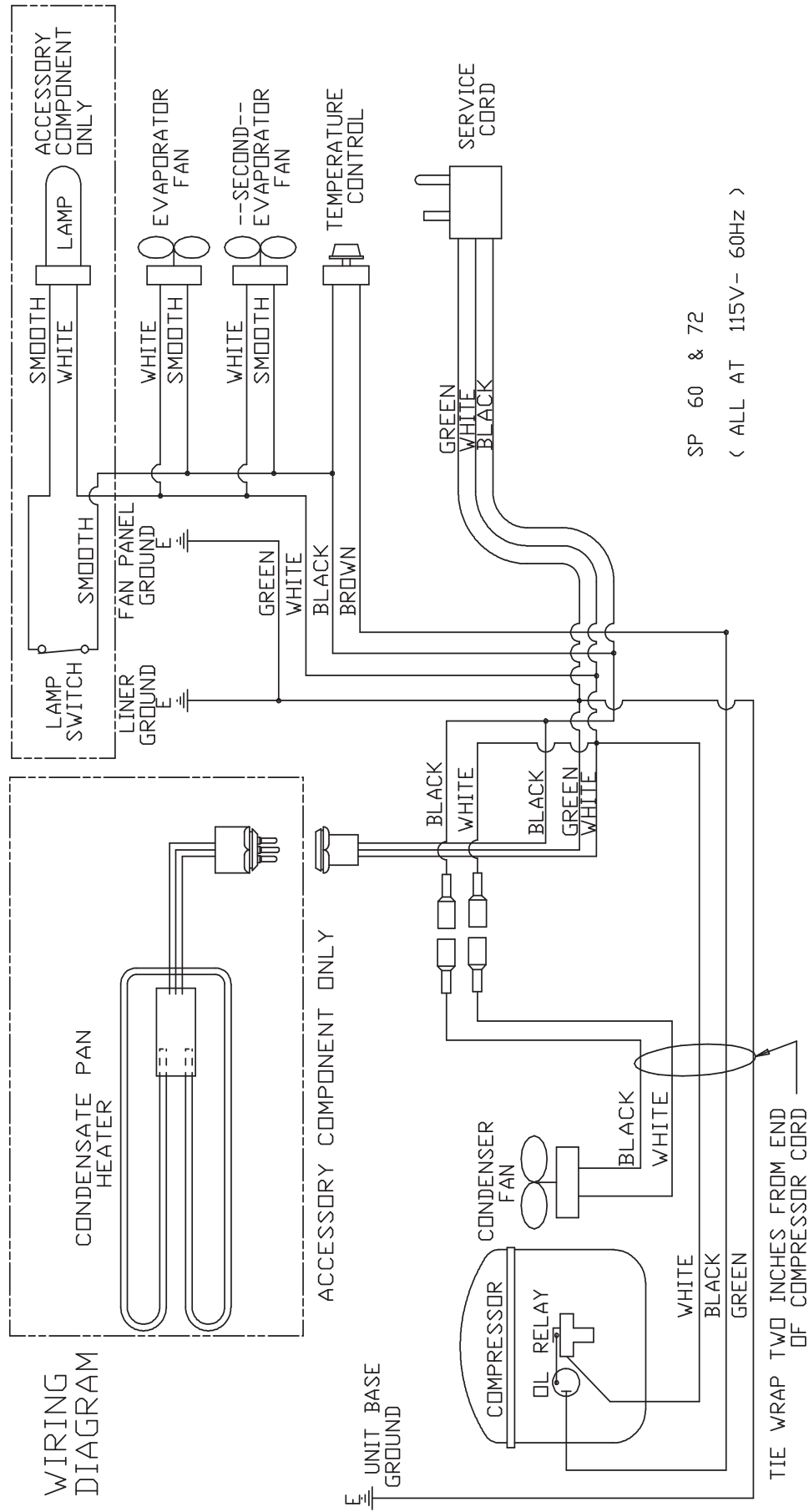
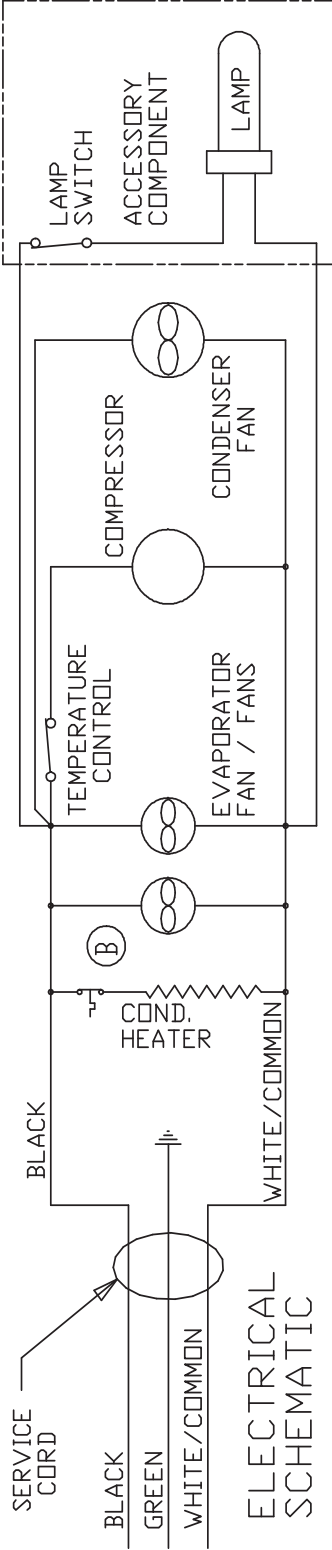
SPE 27.48
EN 9972-001, REV. E



WIRING DIAGRAM



IL-2283B
SPE 60,72
EN 9872-002



METHODS FOR CLEANING STAINLESS STEEL

	CLEANING AGENT*	METHOD OF APPLICATION**	EFFECT ON FINISH
Routine Cleaning	Soap, ammonia or detergent and water.	Sponge with cloth, then rinse with clear water and wipe dry.	Satisfactory for use on all finishes.
Smears and Fingerprints	Arcal 20, Lac-O-Nu, Lumin Wash O'Cedar Cream Polish, Stainless Shine.	Rub with cloth as directed on the package.	Satisfactory for use on all finishes. Provides barrier film to minimize prints.
Stubborn Spots and Stains, Baked-On Splatter, and Other Light Discolorations	Allchem Concentrated Cleaner.	Apply with a damp sponge or cloth.	Satisfactory for use on all finishes.
	Samae, Twinkle or Cameo Copper Cleaner.	Rub with a damp cloth.	Satisfactory for use on all finishes if rubbing is light.
	Grade FFF Italian pumice, whiting, or talc.	Rub with a damp cloth.	Use in direction of polish lines on No. 4 (polished) finish. Use light pressure on No. 2 (mill) finishes, and Nos. 7 and 8 (polished) finishes.
	Liquid NuSteel.	Rub with a dry cloth. Use small amount of cleaner.	Use in direction of polish lines on No. 4 (polished) finish. May scratch No. 2 (mill) and Nos. 7 and 8 (polished) finishes.
	Paste NuSteel or DuBois Temp.	Rub with a dry cloth using a small amount of cleaner.	Use in direction of polish lines on No. 4 (polished) finish. May scratch No. 2 (mill) and Nos. 7 and 8 (polished) finishes.
	Copper's Stainless Steel Cleaner, Revere Stainless Cleaner.	Apply with a damp sponge or cloth.	Use in direction of polish lines on No. 4 (polished) finish. May scratch No. 2 (mill) and Nos. 7 and 8 (polished) finishes.
Heat Tint or Heavy Discoloration	Household cleansers such as Old Dutch, Lighthouse, Sunbrite, Wyandotte, Bab-O, Gold Dust, Sapolio, Bon Ami, Ajax, or Comet.	Rub with a damp cloth. May contain chlorine bleaches. Rinse thoroughly after use.	Use in direction of polish lines on No. 4 (polished) finish. May scratch No. 2 (mill) and Nos. 7 and 8 (polished) finishes.
	Grade F Italian pumice, Steel Bright, Lumin Cleaner, Zud, Restoro, Sta-Clean, or Highlite.	Rub with a damp cloth.	Use in direction of polish lines on No. 4 (polished) finish. May scratch No. 2 (mill) and Nos. 7 and 8 (polished) finishes.
	Penny-Brite or Copper-Brite.	Rub with a dry cloth using a small amount of cleaner.	Use in direction of polish lines on No. 4 (polished) finish. May scratch No. 2 (mill) and Nos. 7 and 8 (polished) finishes.
	Penny-Brite or Copper-Brite.	Rub with a dry cloth.	Use in direction of polish lines on No. 4 (polished) finish. May scratch No. 2 (mill) and Nos. 7 and 8 (polished) finishes.
Burnt-On Foods and Grease Fatty Acids, Milkstone (where swabbing or rubbing is not practical)	Paste NuSteel, DuBois Temp, or Tarnite.	Rub with a dry cloth or stainless steel wool.	Use in direction of polish lines on No. 4 (polished) finish. May scratch No. 2 (mill) and Nos. 7 and 8 (polished) finishes.
	Revere Stainless Steel Cleaner.	Apply with a damp sponge or cloth.	Use in direction of polish lines on No. 4 (polished) finish. May scratch No. 2 (mill) and Nos. 7 and 8 (polished) finishes.
	Allen Polish, Steel Bright, Bab-O, Wyandotte, or Zud.	Rub with a damp cloth.	Use in direction of polish lines on No. 4 (polished) finish. May scratch No. 2 (mill) and Nos. 7 and 8 (polished) finishes.
Tenacious Deposits, Rusty Discolorations, Industrial Atmospheric Stains	Easy-Off, De-Grease-It, 4% to 6% hot solution of such agents as trisodium phosphate or sodium tripolyphosphate or 5% to 15% caustic soda solution.	Apply generous coating. Allow to stand for 10-15 minutes. Rinse. Repeatedly application may be necessary.	Excellent removal, satisfactory for use on all finishes.
Hard Water Spots and Scale	Oakite No. 33, Dilac Texo 12, Texo N.Y., Flash-Klenz, Caddy Cleaner, Turco Scale 4368 or Permag 57.	Swab and soak with a clean cloth. Let stand for 15 minutes or more according to directions on package, then rinse and dry.	Satisfactory for use on all finishes.
	Vinegar.	Swab or wipe with a cloth. Rinse with water and dry.	Satisfactory for all finishes.
	5% oxalic acid, 5% sulfamic acid, 5% to 10% phosphoric acid, or Dilac, Oakite No. 33, Texo 12, Texo N.Y.	Swab or soak with a cloth. Let stand 10-15 minutes. Always follow with neutralizer rinse and dry.	Satisfactory for all finishes. Effective on tenacious deposits or where scale has built up.

NOTES:

* Use of proprietary names is intended only to indicate a type of cleanser, and does not constitute an endorsement, nor is omission of any cleanser to imply its inadequacy. It should be emphasized that all products should be used in strict accordance with instructions on package.

** In all applications a stainless steel wool or sponge or fibrous brush or pads are recommended. Avoid use of ordinary steel wool or steel brushes for scouring stainless steel.

SUGGESTIONS:

- Use the mildest cleaning procedure that will do the job effectively.
- Rub in the direction of polish lines for maximum effectiveness and to avoid marring the surface.
- Rinse thoroughly with fresh water after every cleaning operation.
- Wipe dry to avoid water marks.

Cleaning data supplied by AISI.



REFRIGERATION SYSTEM

SERVICE AND ANALYSIS CHART

- **REFRIGERATION SYSTEM**

The Refrigeration System consists of a 115v. 60 Hz. hermetically sealed compressor, finned evaporator and condenser.

- **CONDENSER**

The condenser has wide finned spaces which allow more air passage with less dirt or dust accumulation. The condenser still requires periodic cleaning for maximum efficiency.

- **CONDENSER FAN MOTOR**

The condenser fan motor assembly is mounted between the condenser and compressor. Air is drawn through the condenser, over the body of the compressor and then out the rear of the unit compartment.

The motor is wired to cycle with the compressor but will continue to operate should the compressor cut out on the overload (the motor is permanently lubricated; therefore oiling is not required).

- **DRIER**

The drier is installed in the system just before the capillary tube. Its purpose is to trap minute particles of foreign material and absorb any moisture in the system.

- **LIQUID CONTROL AND HEAT EXCHANGE**

Liquid refrigerant control to the evaporator of the system is accomplished by the use of a capillary tube. This capillary tube is soldered to the suction line to form a heat exchanger which subcools the liquid refrigerant to maintain high efficiency within the system.

REFRIGERATION SERVICE

- **EVACUATION**

Moisture in a refrigeration system is directly or indirectly the cause of more problems and complaints than all other factors combined. When large amounts are present, system freeze-ups will occur. Even in minute amounts, moisture will combine with refrigerants to form a hydrochloric acid. The corrosive action of this acid forms sludge which will plug the lines and drier.

Only a vacuum pump should be used for evacuation because operating the compressor in a deep vacuum could cause serious damage to the compressor windings. Since most field-type vacuum pumps cannot pull a low enough vacuum to remove moisture from the system, it is recommended that the system be triple evacuated, breaking each time with dry refrigerant. Use care to purge air from the charging hose when breaking the vacuum. After third vacuum, backseat valves and proceed with replacement charge.

- **CHARGING REFRIGERATION SYSTEM**

Since capillary tube systems have small critical refrigerant charges, we recommend that a field charge either be weighed in or put in from a portable charge board. After maximum vacuum has been obtained as detailed above, attach charging cylinder to the suction line making sure to purge air from hose with refrigerant. With the unit running, allow refrigerant to run slowly into the system until the desired charge is reached.

OVERCHARGE

When cabinet has pulled down to operating temperature, an indication of an overcharge is that the suction line will be cooler than normal with the compressor running. Running time will be higher than normal. Suction line will sweat or frost.

Purge excessive refrigerant from the system very carefully in small amounts waiting several minutes for the system to balance.

When correct charge has been obtained with cabinet at operating temperature, several seconds after compressor has started after cycle, suction line will frost and remain frosted for approximately (60) seconds.

UNDERCHARGE

An undercharge or shortage of refrigerant will result in any or all of the following:

1. Lower than normal head pressure.
2. Lower than normal suction pressure.
3. Excessive or continuous operation of compressor.
4. Higher than normal cabinet temperature.

FEDERAL LAW REQUIRES THAT SOME REFRIGERANTS BE RECOVERED PRIOR TO SERVICING.



SERVICE AND ANALYSIS CHART

REFRIGERATION SYSTEM

MALFUNCTION	POSSIBLE CAUSE	SOLUTION
Compressor will not start — no hum.	<ol style="list-style-type: none"> 1. Line cord not plugged in. 2. Fuse removed or blown. 3. Overload protector tripped. 4. Control stuck in open position. 5. Wiring improper or loose. 	<ol style="list-style-type: none"> 1. Plug in line cord. 2. Replace fuse. 3. Refer to electrical section. 4. Repair or replace control. 5. Check wiring against diagram.
Compressor will not start — hums but trips on overload protector.	<ol style="list-style-type: none"> 1. Improperly wired. 2. Low voltage to unit. 3. Starting capacitor defective. 4. Relay failing to close. 	<ol style="list-style-type: none"> 1. Check wiring against diagram. 2. Determine reason and correct. 3. Determine reason and replace. 4. Determine reason and correct. Replace if necessary.
Compressor starts but does not switch off of start winding.	<ol style="list-style-type: none"> 1. Low voltage to unit. 2. Relay failing to open. 3. Run capacitor defective. 4. Compressor motor has a winding open or shorted. 	<ol style="list-style-type: none"> 1. Determine reason and correct. 2. Determine reason and correct. Replace if necessary. 3. Determine reason and replace. *4. Replace compressor.
Compressor starts and runs, but short cycles on overload protector.	<ol style="list-style-type: none"> 1. Additional current passing through overload protector. 2. Low voltage to unit. 3. Overload protector defective. 4. Run capacitor defective. 5. Excessive discharge pressure. 6. Compressor too hot — return gas hot. 	<ol style="list-style-type: none"> 1. Check wiring diagram. Check for added fan motors, pumps, etc., connected to wrong side of protector. 2. Determine reason and correct. 3. Check current, replace protector. 4. Determine reason and replace. *5. Check ventilation, restrictions in cooling medium, restrictions in refrigeration. *6. Check refrigerant charge. Fix leak if necessary.
Unit runs OK, but short cycles.	<ol style="list-style-type: none"> 1. Overload protector. 2. Cold control. 3. Overcharge. 4. Air in system. 5. Undercharge. 	<ol style="list-style-type: none"> 1. Check wiring diagram. 2. Differential set too close. *3. Reduce refrigerant charge. *4. Recover and recharge. *5. Fix leak. Add refrigerant.
Unit operates long or continuously.	<ol style="list-style-type: none"> 1. Shortage of refrigerant. 2. Control contacts stuck or frozen closed. 3. Evaporator coil iced. 4. Restriction in refrigeration system. 5. Dirty condenser. 	<ol style="list-style-type: none"> *1. Fix leak. Add charge. 2. Clean contacts or replace control. 3. Defrost. *4. Determine location and remove. 5. Clean condenser.
Start capacitor open, shorted or blown.	<ol style="list-style-type: none"> 1. Relay contacts not opening properly. 2. Low voltage to unit. 3. Improper relay. 	<ol style="list-style-type: none"> 1. Clean contacts or replace relay if necessary. 2. Determine reason and correct. 3. Replace.
Run capacitor open, shorted or blown.	<ol style="list-style-type: none"> 1. Improper capacitor. 2. Excessively high (line) voltage (110-% of rated max.) 	<ol style="list-style-type: none"> 1. Determine correct size and replace. 2. Determine reason and correct.
Relay defective or burned out.	<ol style="list-style-type: none"> 1. Incorrect relay. 2. Line voltage too high or too low. 3. Relay being influenced by loose vibrating mounting. 	<ol style="list-style-type: none"> 1. Check and replace. 2. Determine reason and replace. 3. Remount rigidly.
Space temperature too high.	<ol style="list-style-type: none"> 1. Control setting too high. 2. Improper overcharge. 3. Inadequate circulation. 	<ol style="list-style-type: none"> 1. Reset control. *2. Recover refrigerant and recharge with proper charge specified on data plate. 3. Improve air movement.
Cooler freezing beverage.	<ol style="list-style-type: none"> 1. Control setting. 	<ol style="list-style-type: none"> 1. Reset control.
Unit noisy.	<ol style="list-style-type: none"> 1. Loose parts or mountings. 2. Tubing rattle. 3. Bent fan blade causing vibration. 4. Fan motor bearings worn. 	<ol style="list-style-type: none"> 1. Find and tighten. 2. Reform to be free of contact. 3. Replace blade. 4. Replace motor.

ALL SERVICING MUST COMPLY WITH STATE AND FEDERAL REGULATIONS.



BEVERAGE-AIR®

SALES OFFICE: 3779 Champion Blvd. • Winston-Salem, NC 27105
 PLANT: BROOKVILLE, PENNSYLVANIA
 PHONE: 336-245-6400 TOLL FREE: 800-845-9800

FEDERAL LAW REQUIRES THAT SOME REFRIGERANTS BE RECOVERED PRIOR TO SERVICING.

WARRANTY

SALES TERMS

Warranty valid only in USA and Canada

PRICES & SPECIFICATIONS

Beverage-Air reserves the right to change the price and specifications of the equipment and/or material without notice. Prices are f.o.b. plant of manufacture.

Cancellation

Buyer may cancel its order, reduce quantities, revise specifications, or extend schedules only by mutual agreement as to reasonable and proper cancellation charges which shall take into account expenses already incurred and commitment made by seller, and buyer shall indemnify seller against any loss.

Freight Class

All Beverage-Air products ship under 100-110 freight classification.

Customer's Freight Damage Procedure

Before signing the carrier's freight bill the customer should do the following:

Visible Damage:

1. Inspect shipment for any damage. If you see damage or feel there may be concealed damage, mark the carrier's copy of the freight bill "damaged".
2. If there is damage to your shipment, action must be taken by you to notify the carrier within 48 hours of receipt. A freight claim must be filed with the carrier and an inspection scheduled by the carrier. It is the duty of the carrier to give you a written report upon notification. (VISIBLE AND CONCEALED).
3. For visible damage do not accept delivery unless the condition is noted on your copy of the freight bill and signed by the driver.

Concealed Damage:

4. If the damage is concealed, notify the carrier within 48 hours by phone and in writing. Ask them to send their agent to complete an inspection report. Retain all cartons and merchandise for inspection. It is critical that the customer take the above actions.

Return Of Product

EQUIPMENT - Prior Authorization must be granted by Beverage-Air before equipment can be returned for credit. Returns will only be authorized within 90 days of invoice date. Return authorizations are valid for 60 days. Equipment approved for return is subject to a 25% restocking charge. Returned equipment must be shipped freight pre-paid, packed in original carton, and received in good condition.

PARTS - Prior Authorization must be granted by Beverage-Air before parts can be returned for credit. Returns will only be authorized within 30 days of invoice date. Return authorizations are valid for 60 days. Parts approved for return are subject to a 25% restocking charge. Returned parts must be shipped freight prepaid, in the original packaging, and received in good condition.

ONE (1) YEAR PARTS AND LABOR WARRANTY

(H - MODELS CARRY 18 MONTHS WARRANTY):

Beverage-Air Corporation warrants to the original purchaser of Beverage-Air branded equipment, including all parts thereof, that such equipment is free from defects in material and workmanship, under normal use and service as indicated by Beverage-Air installation and operation instructions, for a period of one (1) year (18 months for H - models) from the date of installation, or twenty-four (24) months (30 months for H - models) from the date of shipment from the manufacturer, whichever is earlier. For the purpose of this warranty, the original purchaser shall be deemed to mean the individual or company for whom the product was originally installed. Our obligation under this warranty shall be limited to repairing or replacing, including labor, any part of such product, which proves thus defective. Beverage-Air reserves the right to examine any product claimed to be defective. If after review by Beverage-Air, the product is not deemed defective, Beverage-Air reserves

the right to deny payment for repair and labor. The labor warranty shall be for self-contained units only and for standard straight time, which is defined as normal service rate time, for service performed during normal working hours. Any service requested outside of a servicer's normal working hours will be covered under this warranty at the normal rate and any additional overtime rate will be the responsibility of the equipment purchaser.

Any part determined to be defective in the product should be returned to the company within thirty (30) days under the terms of this warranty and must be accompanied by a record of the cabinet model, serial number, and identified with a return goods authorization number issued by the manufacturer.

Special installation/applications are not covered by this warranty. Any installation that requires extra work to gain access to the unit for service to the unit is the sole responsibility of the equipment purchaser.

Improper operation resulting from factors, including but not limited to, low voltage conditions, inadequate wiring, and accidental damage are not manufacturing defects and are strictly the responsibility of the purchaser.

Condenser coils must be cleaned at regular intervals. Failure to do so can cause compressor malfunction and will void warranty. Although cleaning requirements may vary in accordance with the operation of various products, Beverage-Air recommends a minimum monthly cleaning.

ADDITIONAL FOUR (4) YEAR COMPRESSOR PART WARRANTY

In addition to the warranty set forth above, Beverage-Air warrants the hermetically / semi-hermetically sealed compressor (part only) for an additional four (4) years; not to exceed seventy-two (72) months (78 months for H - models) from the date of shipment from Beverage-Air, provided upon receipt of the compressor, manufacturer examination shows the sealed compressor to be defective. This extended warranty does not cover freight for the replacement compressor nor return of the failed compressor. Also, this extended compressor-part only warranty does NOT apply to any electrical controls, condenser, evaporator, fan motors, overload switch, starting relay, capacitors, temperature control, filter/drier, accumulator, refrigeration tubing, wiring harness, labor charges, or supplies which are covered by the standard warranty above.

NO CLAIMS CAN BE MADE AGAINST THIS WARRANTY FOR SPOILAGE OF PRODUCTS, LOSS OF SALES OR CONSEQUENTIAL DAMAGES.

THE FOREGOING WARRANTIES ARE EXPRESSLY GIVEN IN LIEU OF ALL OTHER WARRANTIES, EXPRESS, IMPLIED, OR STATUTORY, INCLUDING THE IMPLIED WARRANTIES OF MERCHANTABILITY AND FITNESS FOR A PARTICULAR PURPOSE, WHICH ARE HEREBY DISCLAIMED, AND ALL OTHER OBLIGATIONS OR LIABILITIES ON OUR PART, AND WE NEITHER ASSUME, NOR AUTHORIZE ANY OTHER PERSON TO ASSUME FOR US, ANY OBLIGATION OR LIABILITY IN CONNECTION WITH THE SALE OF SAID REFRIGERATION UNITS OR ANY PARTS THEREOF.

This warranty shall not be assignable and shall be honored only in so far as the original purchaser.

This warranty does not apply outside the limits of the United States of America and its territories and Canada, nor does it apply to any part that has been subject to misuse, neglect, alteration, accident, or to any damage caused by transportation, flood, fire, acts of terrorism, or acts of God.

LIMITATION OF LIABILITY

Beverage-Air Corporation, or their affiliates shall not be liable for any indirect, incidental, special or consequential damages, or losses of a commercial nature arising out of malfunctioning equipment or its parts or components thereof, as a result of defects in material or workmanship.

THE ORIGINAL OWNER'S SOLE AND EXCLUSIVE REMEDY AND BEVERAGE-AIR'S SOLE AND EXCLUSIVE LIABILITY SHALL BE LIMITED TO THE REPAIR OR REPLACEMENT OF PARTS OR COMPONENTS CONTAINED IN THE EQUIPMENT IDENTIFIED ABOVE WHICH UNDER NORMAL USE AND SERVICE MALFUNCTION AS A RESULT OF DEFECTS IN MATERIAL OR WORKMANSHIP, SUBJECT TO THE APPLICABLE PROVISIONS AND LIMITATIONS STATED ABOVE.

Note: Additional Terms and Conditions of sale may apply. Notice: Specifications Subject To Change Without Notice. Contact factory for specific model agency approval. All prices are ex-works Brookville, Pennsylvania

Specifications are subject to change without notice.



