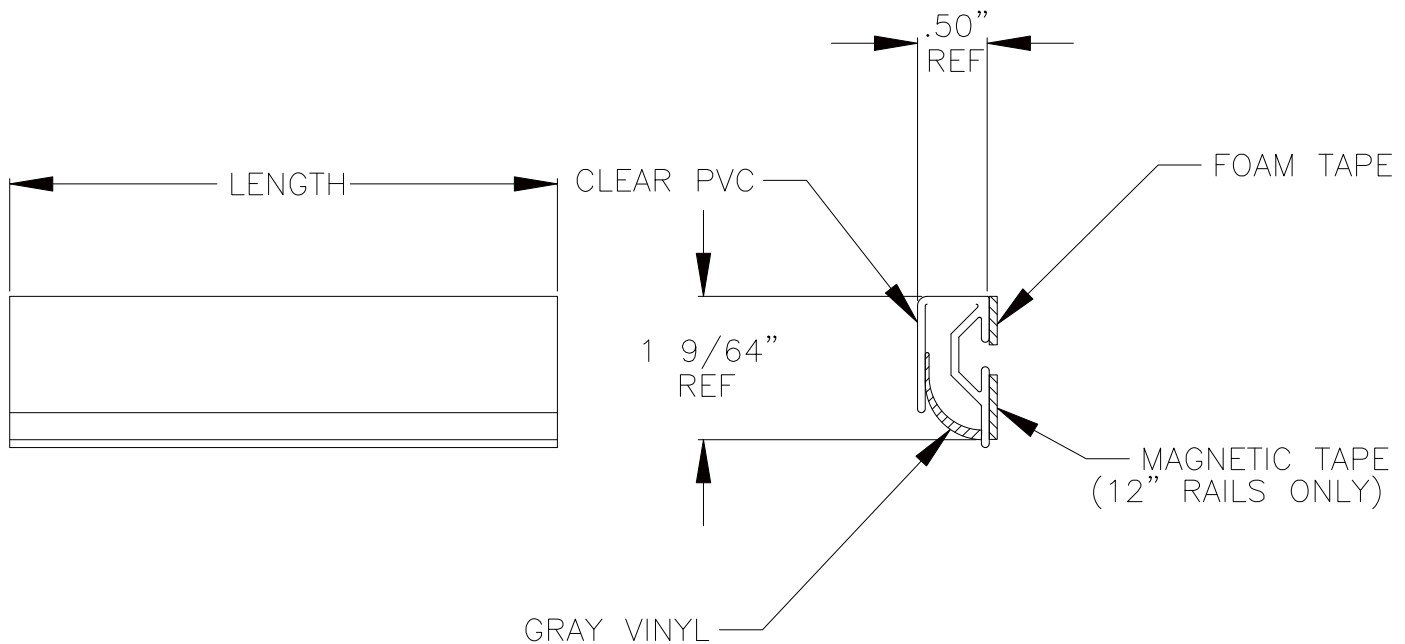


# HOLD-UP DISPLAY RAILS



## Specifications

The body material is clear, rigid PVC and the tongue material is gray vinyl. All rails have an adhesive foam tape backing.

The 12" rails also have a magnetic tape backing.

The unique design lets you display thick and thin items side by side with no risk of tearing or damaging what is displayed.

The clear, see-through front lets the entire paper show.

The display rail can be attached to the top of a board or mounted separately.

The rails are available in lengths from 12", 18", 24", 36", 48", 60", 72" and 96".