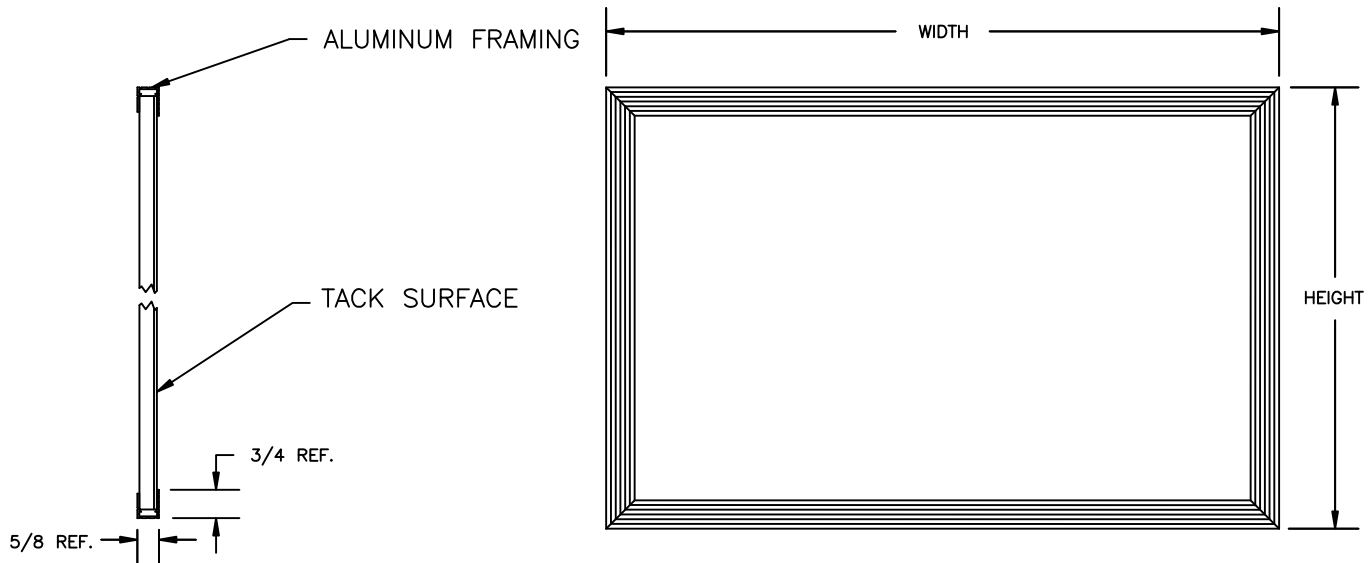


AK Series

ALUMINUM FRAMED CORK TACKBOARD

ghent®



Specifications

All exposed metal shall be anodized extruded aluminum 6063-T5. Aluminum framing to be permanently attached to tack surface. The self healing tack surface is composed of 1/32" fine grain natural cork laminated to a sealed-back 3/8" fiberboard. Available in sizes from 3'H x 4'W through 4'H x 12'W. The AK series boards carry a 10 year guarantee.