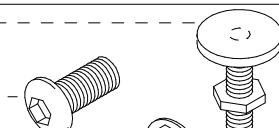

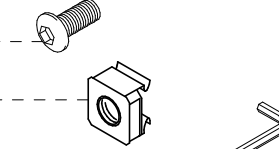
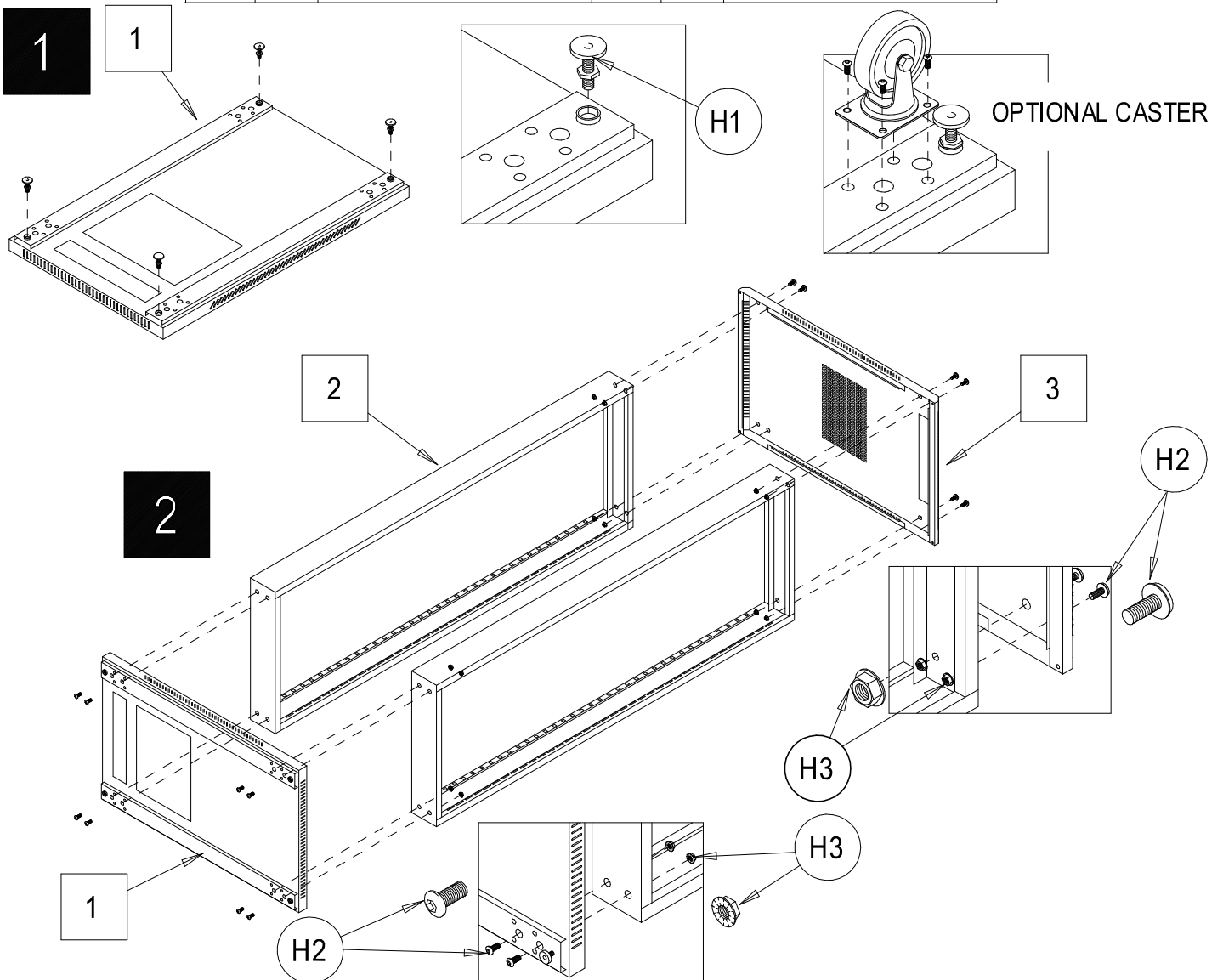
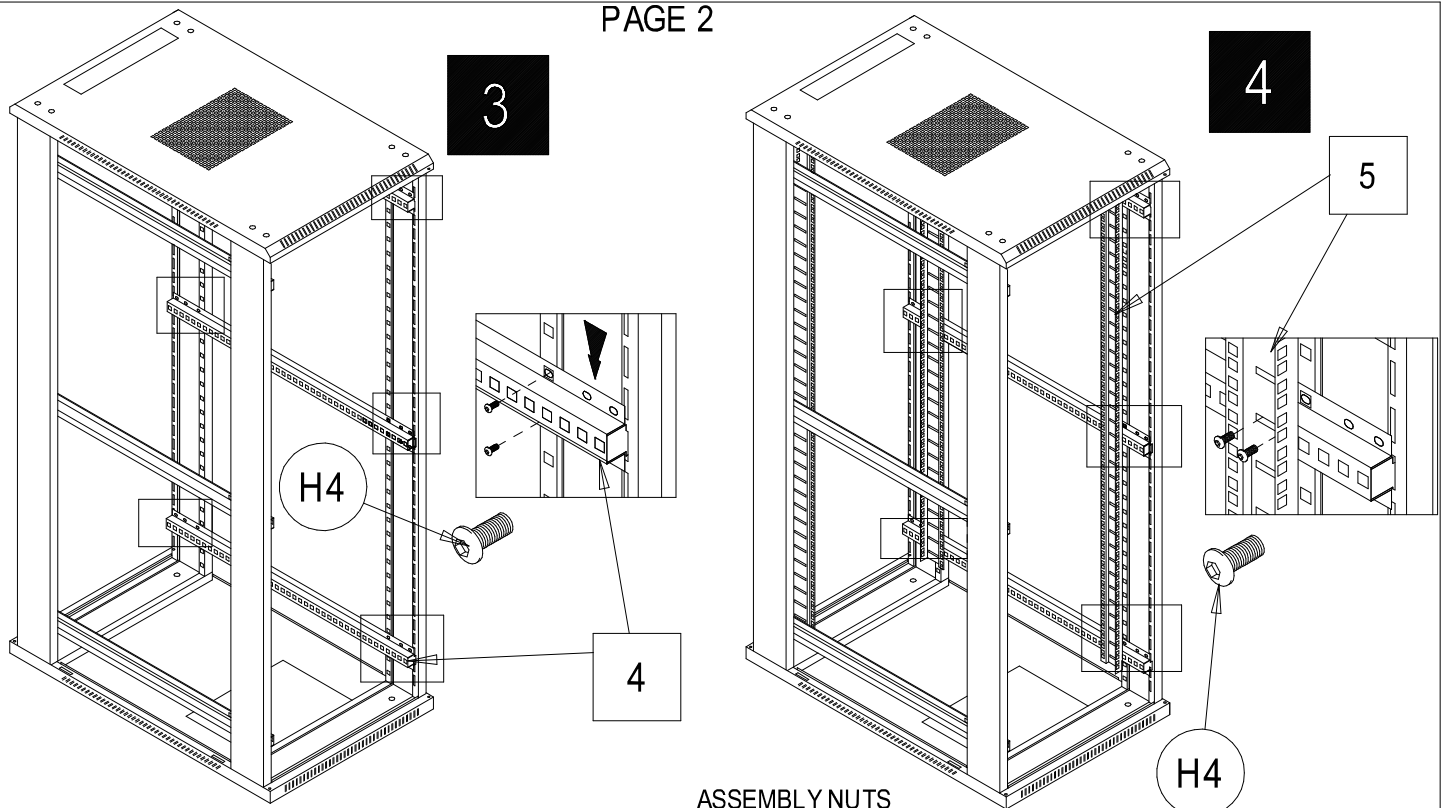


ELECTRONIC COMPUTER CABINET
ASSEMBLY INSTRUCTION

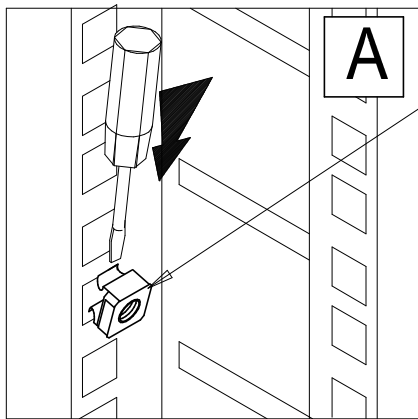
COMPONENTS					
REF.	QTY.	DESCRIPTION	REF.	QTY.	DESCRIPTION
1	1	BOTTOM TRAY	H1	4	
2	2	FRAME	H2	16	
3	1	TOP	H3	16	
4	6	HORIZONTAL SUPPORT	H4	40	
5	4	VERTICAL SUPPORT	H5	40	
6	2	SIDE PANEL	H6	2	
7	2	DOOR			
8	1	ELECTRIC CORD			





ASSEMBLY NUTS
INSERTED BY FACTORY

5

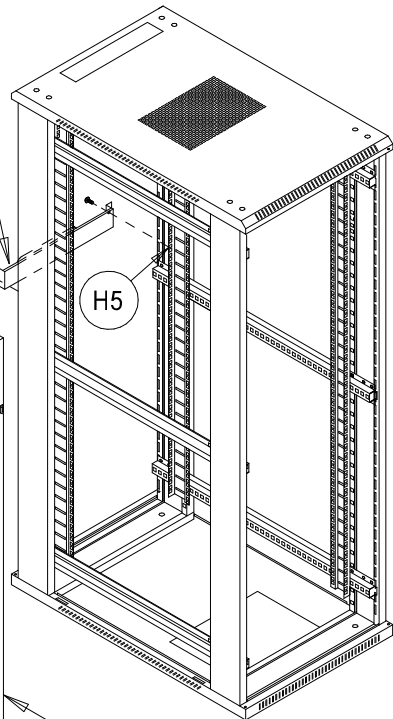


H5

A

8

H4



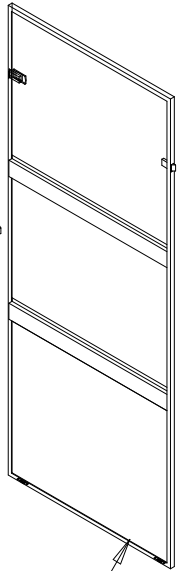
H5

8

B

H5

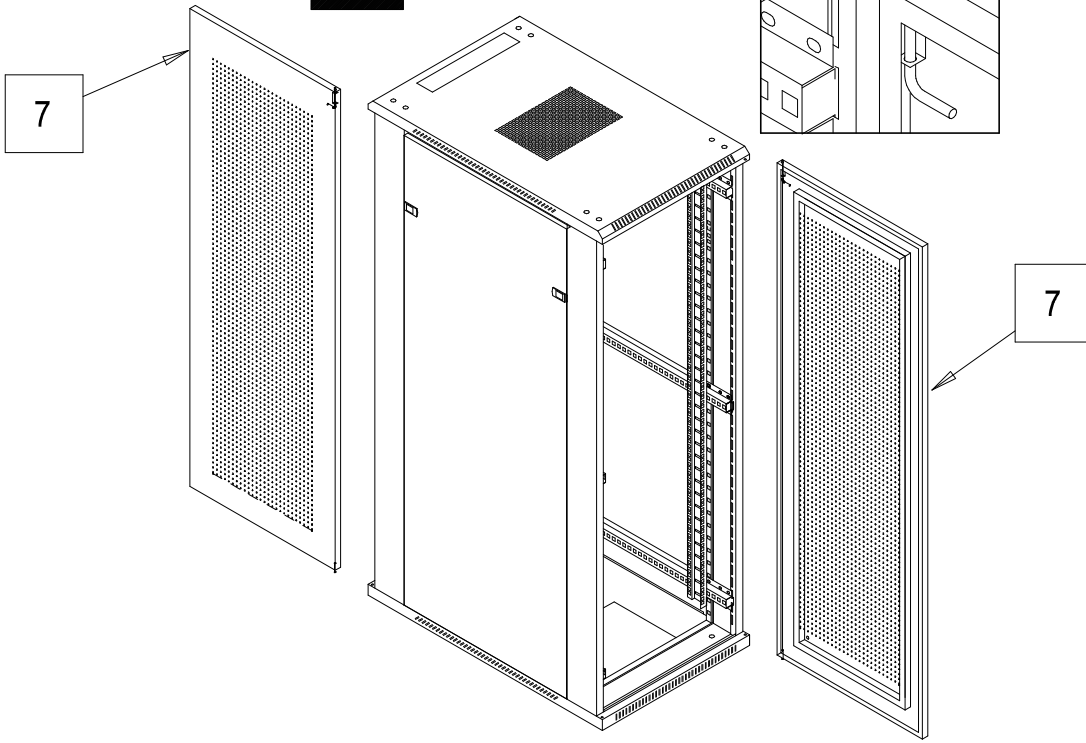
H4



6

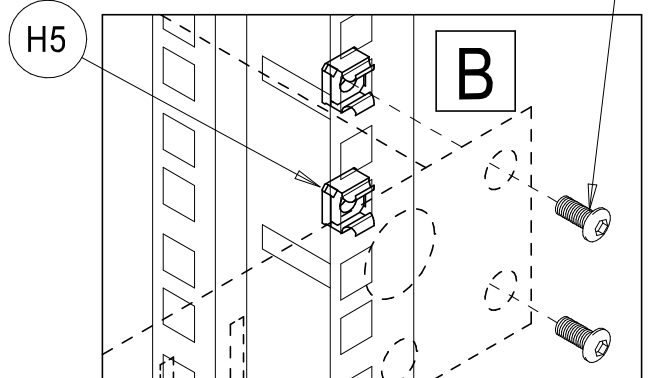
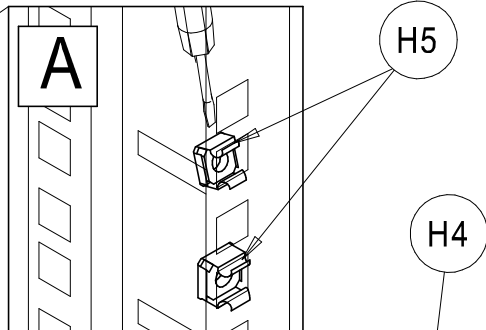
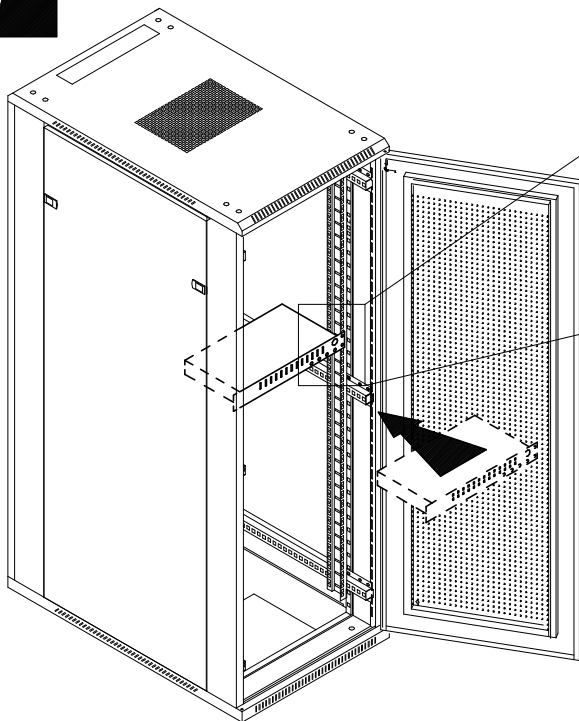
6

6

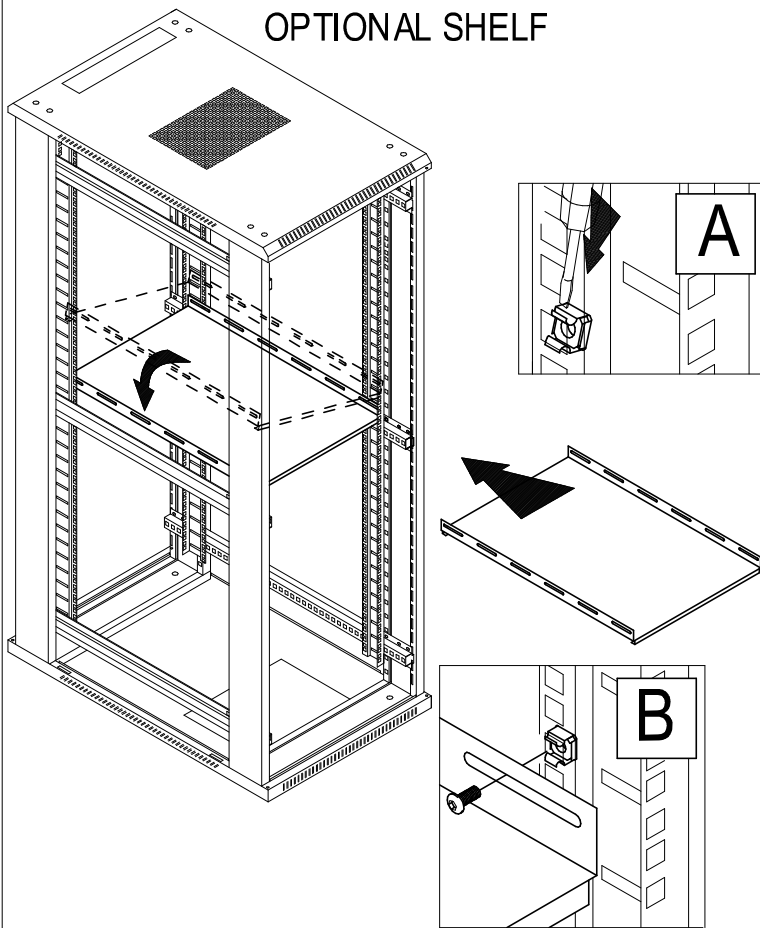


7

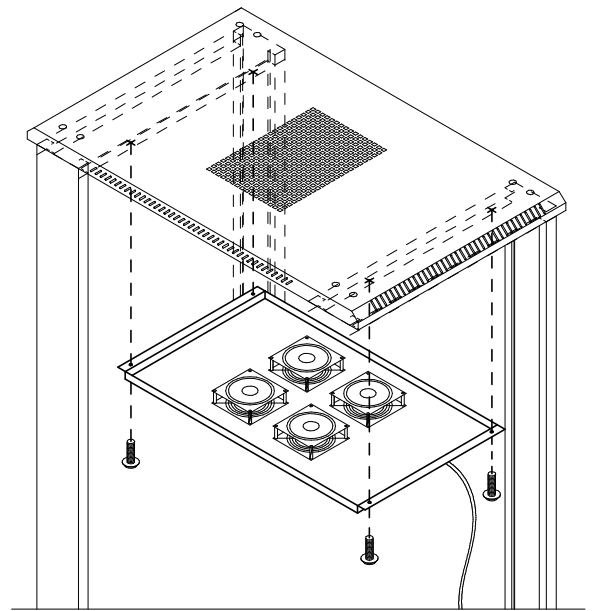
ASSEMBLE RACK MOUNT COMPONENTS ONTO RACK.



OPTIONAL SHELF



OPTIONAL FAN KIT



OPTIONAL KEYBOARD DRAWER

