



www.globalindustrial.com

US: 888-628-3466

Canada: 888-645-2986

Mexico: 01.800.681.6940

16 GALLON STAINLESS STEEL WET DRY VACUUM

User's Manual

Model # 641196



Important Safety Instructions

READ ALL INSTRUCTIONS BEFORE USING THIS APPLIANCE

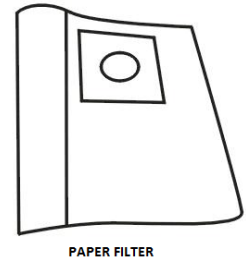
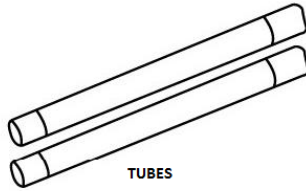
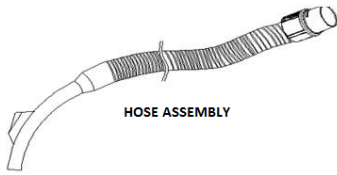
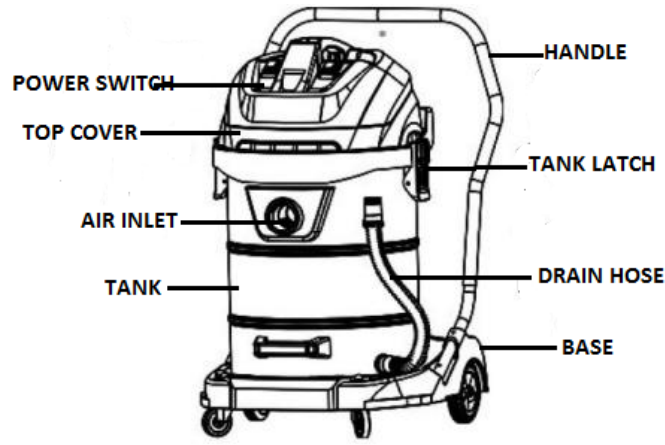
WARNING – To reduce the risk of fire, electric shock, or injury:

1. Do not leave appliance unattended when plugged in. Unplug unit from outlet prior to servicing and when not in use.
2. For indoor use only.
3. Unit is not a toy and should never be left unattended near or around minors.
4. Use appliance only as described in this manual. Use only manufacturer's recommended attachments.
5. Do not use unit if not working properly, has been dropped, damaged, left outdoors, exposed to water or containing a damaged cord or plug. If so, return unit to a certified service center.
6. Do not transport or handle unit by cord. Do not abuse cord in any manner and maintain a safe distance from heated surfaces.
7. Do not unplug appliance by pulling on cord. Cord should be handled by grasping plug.
8. Do not handle plug or appliance with wet hands.
9. Do not insert objects into openings or operate with any obstructions. Maintain routine maintenance for unrestricted air flow.
10. Prevent hair, loose clothing, and all other extremities from accessing unit.
11. Turn off unit completely before unplugging.
12. Use caution when operating unit on stairs.
13. Do not collect or operate near flammable or combustible liquids, such as gasoline, kerosene, etc.
14. Do not collect ignited or smoking materials such as cigarettes, matches, or hot ashes.
15. Do not operate without filters installed.
16. Hold plug when rewinding cord onto reel. Do not allow plug to whip when rewinding.
17. This appliance includes double insulation. Use only identical replacement parts. See instructions for Servicing of Double-Insulated Appliances.
18. To reduce the risk of electric shock, this appliance has a polarized plug (one blade is wider than the other). Plug will insert into a polarized outlet in only one direction. If plug does not fit properly, reverse the plug. If it still does not fit, contact a qualified electrician to install the proper outlet. Do not alter plug in any way.

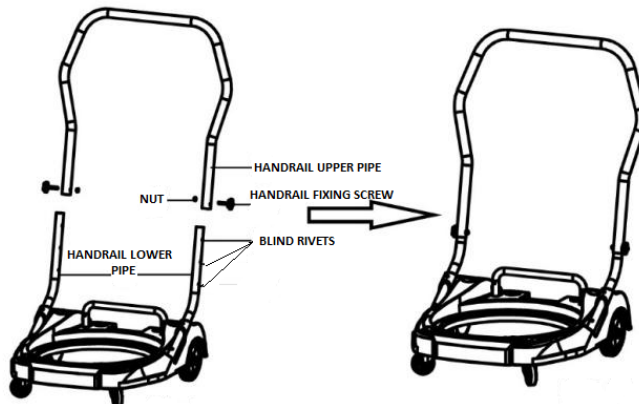
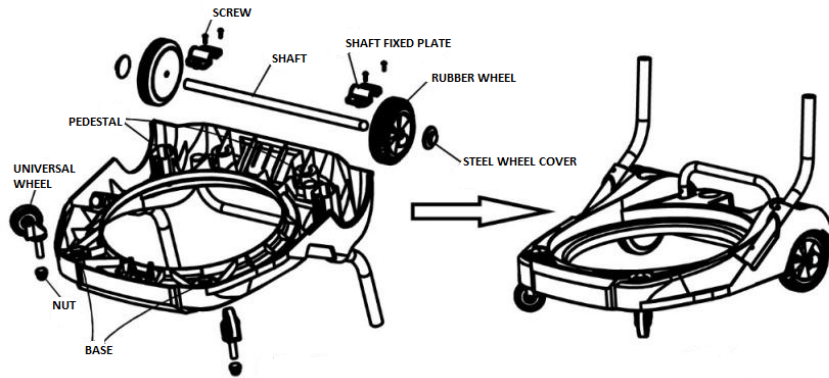
Specifications

Capacity:	16 Gallon
Voltage:	120V
Amperage:	10 Amp
Frequency:	60Hz
Power:	1200 Watts
Motor HP:	3.5 HP
CFM:	115
Water Lift:	115 inch
Noise Level:	80 dB
Hose Length:	13 feet
Cord Length:	15 feet

Parts and Accessories



Handle/Base Assembly



Operation

Dry Vacuum Operation

- 1) Ensure the HEPA type filter or paper bag is always fitter before the use
- 2) Insert the hose connector into the air inlet and twist anti-clockwise to tighten.

To release, twist clockwise

- 3) Connect the relevant accessories for dry cleaning
- 4) Insert the plug into the wall receptacle
- 5) Press the power switch to turn on.

Once the tank/paper bag is full, is recommended that the tank be emptied and cleaned or paper bag replaced. The HEPA type filter is also needed to be cleaned.

Safety Precaution

- a) When tank is full, suction power will begin to decrease indicating that motor is running at high speeds. In this case, immediately turn the power off, drain water and restart unit.
- b) Unit will shut off when the unit is overturned. If this occurs, turn unit upright and restart.

Maintenance

Attention: Unplug the unit before any maintenance.

HEPA Type filter

- 1) Release the connection latches to remove the top cover
- 2) Remove the HEPA type filter
- 3) Wash and clean by sing lukewarm water
- 4) Dry by airing for at least 24 hours
- 5) Re-fit into the unit

Cleaning the tank

- 1) Release the connection latches to remove the top cover
- 2) Remove the filters and clean thoroughly with lukewarm water

Wet Vacuum Operation

- 1) Remove the paper filter
- 2) Insert the hose connector into the air inlet and twist anti-clockwise to tighten. To release, twist clockwise
- 3) Connect the relevant accessories for wet cleaning
- 4) Insert the plug into the wall receptacle
- 5) Press the power switch to turn

Clean the tank thoroughly after each use. Avoid leaving dust or dirty water in the tank.