



342 N. Co. Rd. 400 East
Valparaiso, IN 46383
219-464-8818 • Fax 219-462-7985
www.heatwagon.com

Installation and Maintenance Manual

Please retain this manual for future reference.

DG250/DG400

**Ductable
Construction
Heater**



For your safety: Do not use this heater in a space where gasoline or other liquids having flammable vapors are stored.

WARNING

BEFORE USING THE HEATER, READ AND UNDERSTAND ALL INSTRUCTIONS AND FOLLOW THEM CAREFULLY.

THE MANUFACTURER IS NOT RESPONSIBLE FOR DAMAGES TO GOODS OR PERSONS DUE TO IMPROPER USE OF THE UNITS.

GENERAL HAZARD WARNING

FAILURE TO COMPLY WITH THE PRECAUTIONS AND INSTRUCTIONS PROVIDED WITH THIS HEATER, CAN RESULT IN DEATH, SERIOUS INJURY AND PROPERTY LOSS OR DAMAGE FROM HAZARDS OF FIRE, EXPLOSION, BURN, ASPHYXIATION, CARBON MONOXIDE POISONING, AND / OR ELECTRICAL SHOCK.

ONLY PERSONS WHO CAN UNDERSTAND AND FOLLOW THE INSTRUCTIONS SHOULD USE OR SERVICE THIS HEATER.

IF YOU NEED ASSISTANCE OR HEATER INFORMATION SUCH AS AN INSTRUCTION MANUAL, LABEL, ETC., CONTACT THE MANUFACTURER.

WARNING: FIRE, BURN, INHALATION AND EXPLOSION HAZARD

KEEP SOLID COMBUSTIBLES, SUCH AS BUILDING MATERIALS, PAPER OR CARDBOARD, AT SAFE DISTANCE AWAY FROM THE HEATER AS RECOMMENDED BY THE INSTRUCTIONS.

NEVER USE THE HEATER IN SPACES WHICH DO OR MAY CONTAIN VOLATILE OR AIRBORNE COMBUSTIBLES, OR PRODUCTS SUCH AS GASOLINE, SOLVENTS, PAINT THINNER, DUST PARTICLES OR UNKNOWN CHEMICALS.

WARNING

NOT FOR HOME OR RECREATIONAL VEHICLE USE. INSTALLATION OF THIS HEATER IN A HOME OR RECREATIONAL VEHICLE MAY RESULT IN A FIRE OR EXPLOSION, PROPERTY DAMAGE, PERSONAL INJURY OR LOSS OF FIRE.

WARNING

IMPROPER INSTALLATION, ADJUSTMENT, ALTERATION, SERVICE OR MAINTENANCE CAN CAUSE INJURY OR DEATH.

READ THE INSTALLATION, OPERATING AND MAINTENANCE INSTRUCTIONS THOROUGHLY BEFORE INSTALLING OR SERVICING THIS EQUIPMENT.

FOR YOUR SAFETY

IF YOU SMELL GAS:

1. OPEN WINDOWS
2. DO NOT TOUCH ELECTRICAL SWITCHES
3. EXTINGUISH ANY OPEN FLAME
4. IMMEDIATELY CALL YOUR GAS SUPPLIER

FOR YOUR SAFETY

DO NOT STORE OR USE GASOLINE OR OTHER FLAMMABLE VAPOURS AND LIQUIDS IN THE VICINITY OF THIS OR ANY OTHER APPLIANCE.

WARNING

The heater is designed and approved for use as a construction heater in accordance with Standard ANSI Z83,7 CGA 2.14.

CHECK WITH YOUR LOCAL FIRE SAFETY AUTHORITY IF YOU HAVE QUESTIONS ABOUT APPLICATIONS.

Other standards govern the use of fuel gases and heat producing products in specific applications. Your local authority can advise you about these.

WARNING


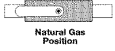


This heater can be washed, provided that:

- A. The heater is disconnected from the electrical supply.
- B. All access panels are securely closed.
- C. Water spray nozzle shall not discharge within 6 feet of the heater.
- D. The heater is not reconnected to electrical supply until thoroughly dried.
Improper cleaning of the heater can cause severe personal injury or property damage due to water and/or cleaning solutions:
 - A. In electrical components, connections and wires causing electrical shocks or component failure.
 - B. On gas control components causing corrosion which can result in gas leaks and fire or explosion from the leak. The hose assembly must be protected from the traffic, building materials and contact with hot surfaces both during use and while in storage.

WARNING

- Proper gas supply must be provided to the inlet of the appliance.
- Refer to rating plate for proper gas supply pressure.
- Gas pressure in excess of maximum inlet pressure specified at the appliance inlet can cause fire or explosions, leading to serious injury, death, building damage or loss of livestock. Likewise, gas pressure below the minimum inlet pressure specified at the appliance inlet may cause improper combustion, leading to asphyxiation, carbon monoxide poisoning and therefore serious injury or death to humans and livestock.
- Position heater properly before use.
- For either indoor or outdoor use adequate ventilation must be provided.
- Minimum clearance from combustible materials and propane containers: 10 ft.
- Do not operate heater with panels removed.
- To avoid injury from moving parts, disconnect all electrical power to equipment before opening doors or removing panels.

RETAIN THIS INSTRUCTION FOR FUTURE REFERENCE.

TECHNICAL SPECIFICATIONS			DG 250	DG 400	
Natural gas		Supply pressure	[in WC]	min 7" w.c. max 10" w.c.	min 7" w.c. max 10" w.c.
		Selector valve position			
	Normal altitude 0 - 2,000 ft above sea level (U.S.A. and Canada)	Heat input	[BTU/h]	254.684	403.753
		Manifold pressure	[in WC]	4,33	4,40
		Fuel consumption	[CFH]	241,52	381,35
	Altitude 2,000 - 4,500 ft above sea level (Canada only)	Heat input	[BTU/h]	229.216	363.378
		Manifold pressure	[in WC]	4,11	4,18
Fuel consumption		[CFH]	217,37	343,21	
NOTE		Supply pressure	[in WC]	min 8" w.c. max 13" w.c.	min 8" w.c. max 13" w.c.
L.P.G.		Selector valve position			
		Normal altitude 0 - 2,000 ft above sea level (U.S.A. and Canada)	Heat input	[BTU/h]	241.413
	Manifold pressure		[in WC]	4,28	4,50
	Fuel consumption		[CFH]	88,98	145,12
	Altitude 2,000 - 4,500 ft above sea level (Canada only)	Heat input	[BTU/h]	217.272	354.721
		Manifold pressure	[in WC]	4,06	4,27
		Fuel consumption	[CFH]	80,08	130,61
Air flow			[cfm]	2.766	4.120
Power supply	Phase			1	1
	Voltage		[V]	120	120
	Frequency		[Hz]	60	60
Electric consumption			[W]	500	900
			[A]	5,0	8,5
Ring nozzle			[in]	N. 16 holes x 0,079"	N. 16 holes x 0,102"
Gas inlet connection thread				3/4" NPT	3/4" NPT
Air distribution duct	Max Static pressure		[in]	0,60	0,56
	Max length		[ft]	50	50
Noise level at 1 m			[dBA]	77	74
Heater	Dimensions, L x W x H		[in]	40,6 x 24,6 x 21,7	56,1 x 29,5 x 25,7
	Weight		[lb]	101	192
Packaging	Dimensions, L x W x H		[in]	42,3 x 21,9 x 29,45	57,7 x 24,4 x 32,6
	Weight		[lb]	134	225
Temp Rise				170°	180°
Recommended Duct				WD1625HT5	WD2025HT5
Duct Adaptor				AR250	AR400
Thermostat (confirm correct thermostat with serial number p.10-11)				DIGTHIDF-5 or DIGTHIDF	DIGTHIDF-5 or DIGTHIDF

DESCRIPTION

The heater is designed for heating medium and large ventilated premises, for which a fixed or mobile heating system is required.

Heater is to be run on heating with natural gas or L.P.G. according to gas supply pressures that must be in conformity with the local codes.

Gases to be used are indicated in Tab. pg.4 together with the supply pressures, the regulation of the gas valves group (burner pressure) and gas flow.

Heater is supplied after a complete functional test and it's therefore prearranged for one of the working gas indicated in Tab. lpg.4 an adhesive label applied on the gas selector valve (a) indicates the selected gas.

To change the type of gas, follow the detailed instructions indicated in section "CHANGING TYPE OF GAS". (page 6)

The heater is of the direct combustion type. The air is heated by the energy developed during combustion and then conveyed to the environment to be heated together with the combustion products, thus making available 100% of the thermal power produced. The environment must be suitably ventilated in order to ensure adequate air circulation.

In the event of serious malfunction various safety devices (electronic flame control unit, overheating thermostat, air pressure switch) trigger turning off the heater .

The electronic flame control unit monitors if the flame is irregular or goes out, the safety thermostat triggers when the temperature in the combustion chamber exceeds the safety limit value, the air pressure switch will cut in if the airflow is insufficient.

In each of the said cases the unit stops according to the procedure described in "OPERATING INSTRUCTIONS".

In each of the said cases the lamp (8) will light up and the heater will stop working. The heater can be restarted only by pressing the reset button (8). Nonetheless, the cause that triggered the safety device should always be carefully analyzed and resolved before restarting the heater (see Troubleshooting Guide). pg.9

Warning



Check with your local fire safety authority if you have questions about applications

Here are a few guidelines which shall be followed:

- Minimum clearances from combustible material must be:
 - 1 m (3 feet) from side and rear (air inlet) of heater
 - 0.7 m(2 feet) from ceiling
 - 3 m (10 feet) on air outlet of heater.
- Heater shall not be directed toward any propane-gas container within 6 m (20 feet)
- Don't install the heater in places where there may be a risk of fire or explosion
- All fire prevention regulations must be adhered to.
- For air distribution use only recommended duct from Heat Wagon and respect max length as declared in Tab. I
- The room or building which is being heated must be sufficiently ventilated so that the heater has enough air to function properly;
- The air suction and/or supply pipes are not blocked in any way, there are not sheets or covers resting on the machine or walls and bulky objects near the heater;
- The heater is placed near a power switchboard meeting electrical requirements. Tab 1, pg. 4
- The unit is placed in a fixed position;
- Make sure heater is inspected before each use, and at least annually by a qualified service person.
- Don't let animals or children near the heater.
- The heater is regularly monitored during operation and checked before being started up;
- After use make sure the disconnecting switch is off.

INSTALLATION INSTRUCTION

Warning



All the operations described in this paragraph must be performed by professional and skilled personnel only

The installation shall be in accordance with National Fuel Gas Code ANSI Z223.1/NFPA 54 and with CAN1-B149.1 Installation code.

AN APPROVED MANUAL GAS VALVE SHALL BE PROVIDED BY THE INSTALLER.

Warning



In case of installation in greenhouses, mechanical ventilation shall be interlocked to the heater operation or permanent openings shall be fixed for ventilation air.

ELECTRICAL CONNECTIONS

Warning



**The power line of the heater must feature a ground and a residual current circuit breaker.
The supply cable must be connected to a panel with a circuit breaker.**

Warning



When installed, the appliance must be electrically grounded in accordance with local codes, or in the absence of local codes, with the National Electrical Code, ANSI/NFPA 70, and/or the CSA C22.1, Canadian Electrical Code, if an external electrical source is utilized.

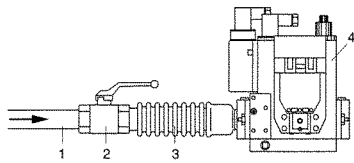
The following operations must now be carried out:

- Plug in the power cord having read the rating plate that specify electric supply characteristics.
- **CONNECT THERMOSTAT (OPTIONAL) OR BLIND PLUG TO THERMOSTAT RECEPTACLE. UNIT WILL NOT RUN WITHOUT ONE OF THESE ITEMS PLUGGED INTO RECEPTACLE.**

Having completed all these operations check carefully that all electrical connections correspond to the wiring diagram. When the heater is first turned on you must check that the fan does not use more current than the maximum permitted limit. We recommend a dedicated 15 amp circuit.

NOTE: Max incoming gas pressure is 1/2 PSI (14" W.C.) recommend installation of install kit. Part# INSTKIT (optional)

See page 16.



- 1 Main gas pipe
- 2 Manual shut-off valve
- 3 Antivibrating coupling
- 4 Gas valves group

Fig. 3

In case of connection of heater to natural gas, the installation shall conform with local codes or, in the absence of local codes, with the *National Fuel Gas Code ANSI Z223.1/NFPA 54 and the Natural Gas and Propane Installation Code, CSAB149.1*.

In case of connection to a propane supply cylinder:

- (a) the installation must conform with local codes or, in the absence of local codes, with the Standard for the *Storage and Handling of Liquefied Petroleum Gases, ANSI/NFPA 58 and the Natural Gas and Propane Installation Code, CSA B149.1*.
- (b) to determine size and capacity of the cylinder(s) and for any specific requirements consult your LP gas supplier. In any case propane tank should not be lower than 100 lb (90 liters)
- (c) the cylinder supply system shall be arranged to provide for vapour withdrawal from the operating cylinder;
- (d) the gas shall be turned off at the propane supply cylinder when the heater is not in use;
- (e) when the heater is to be stored indoors, the connection between the propane supply cylinder and the heater must be disconnected and the cylinders removed from the heater and stored in accordance with Standard for the *Storage and Handling of Liquefied Petroleum Gases, ANSI/NFPA 58 and CSA B149.1, Natural Gas and Propane Installation Code*.

The appliance must be isolated from the gas supply piping system by closing its individual manual shut-off valve during any pressure testing of the gas supply piping system at test pressures equal or less than 1/2 psi (3.5 kPa).

STARTUP

The heater is tested and set-up for one of the gas (natural or L.P.G.) indicated in Tab. I: an adhesive label applied on the manual gas selector valve (Fig. 4) indicates the working gas (usually it's natural gas). Should it necessary to change the kind of gas (from natural gas to L.P.G or viceversa) follow the detailed instructions indicated in section "CHANGING TYPE OF GAS".

Only when the heater has been set-up to the proper gas will it be possible to carry out the following operations:

- Bleed away some gas from the feed pipe;
- Check that the pipe is not leaking;
- Open the gas stopcock and start the heater;

For installation in the U.S.A. at elevation above 2,000 feet (610 m), the appliance shall be derated 4 per cent for each 1,000 feet (305 m) of elevation above sea level.

For installation in Canada at elevation above 2,000 feet to 4,500 feet above sea level, the heater is derated reducing the input for the appropriate fuel in accordance with the rating plate manifold pressure.

For installation in Canada at elevation above 4,500 feet above sea level, consult Provincial or Territorial Authorities having jurisdiction.

Warning

STOP THE CONVERSION SHALL BE CARRIED OUT BY A MANUFACTURER'S AUTHORIZED REPRESENTATIVE, IN ACCORDANCE WITH THE REQUIREMENTS OF THE MANUFACTURER, PROVINCIAL OR TERRITORIAL AUTHORITIES HAVING JURISDICTION AND IN

ACCORDANCE WITH THE REQUIREMENTS OF THE CAN/CGA-B149.1 OR CAN/CGAB149.2 INSTALLATION CODES.

A conversion label shall be applied adjacent to the Rating Label:

THIS APPLIANCE HAS BEEN CONVERTED FOR USE AT AN ALTITUDE OF _____ FEET (ABOVE 2000 FEET)

Orifice size: _____
 Manifold pressure: _____
 Input rate: _____
 Date of conversion: _____
 Type of fuel: _____
 Converted by: _____

CHANGING TYPE OF GAS

This operation may be carried out several times during the working life of the machine and not only at initial start-up. Therefore, first of all check the adhesive label attached to the manual gas selector valve (a) in Fig. (2) to establish the original category of the gas and then consult Tab. I to identify the supply pressure, the working pressure, the use conditions of manual valve.

To change kind of gas it is necessary (Fig. 2): Pg. 8

- to remove the sticker on the manual gas selector valve stating the gas used at that time,
- to remove the screw under the sticker and turn the manual handle on the correct side according to the condition described in Tab.I and by following instruction:

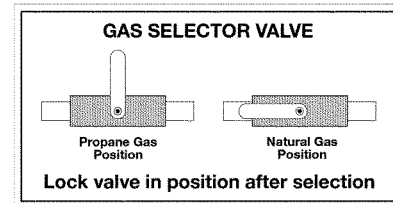


Fig. 4

- After having moved the handle into the opposite position, again put the fixing screw and a new sticker on it, stating the gas which has to be used (a number of different stickers are supplied with the machine)

Warning

STOP Burner pressure shall not be adjusted: the heater is ready to run on the new gas

Should it necessary to check the burner pressure:

- connect a gauge to the pressure port (b) Pg. 8
- carry out the pressure reading on the gauge and turn the pressure regulator (c) if necessary to obtain the correct burner pressure value indicated in Tab. I

OPERATING INSTRUCTIONS

Warning

STOP Any time the power cord of the heaters is connected to a receptacle check the polarity of power supply:

- check switch (9) and (13) are on "0"
- connect plug to receptacle
- push button (14): if it lights up, then reverse polarity

Warning

STOP If the correspondance of phase / neutral polarity is not correct, the unit may stop in the reset mode.

HEATING MODE

Turning ON

- Make sure switch (Item 9, Fig. 1) is on "0";
- Power the heater by plugging the unit into the supply line;
- If the unit is operated manually (without any thermostat or any other control device) turn the switch (9) to position "1". The burner starts up, the combustion chamber heats up and then the fan starts; Note: Jumper plug must be installed.
- If the unit is operated with (DIGTHIDF) thermostat turn the switch (9) to position "1" and set the thermostat at the desired level: the heater will now start and stop automatically.
- If after these operations, the heater does not work, refer to the Troubleshooting Guide paragraph page 9 and find the cause.

Setting Post Ventilation Mode

By the switch (13) on control panel, select the post-ventilation mode, that is the time the fan goes on blowing air when unit is switched off:

- when switch (13) is on pos. "0" then postventilation lasts for 30 sec.
- when switch (13) is on pos. "1" then postventilation is continuous.


Turning OFF

In manual operation turn switch (9) to "0" or turn thermostat control knob off.

After switching off the machine, a post ventilation function works according to the previous setting.

DO NOT UNPLUG TO STOP HEATER!


Warning

 Finally, close the gas supply stopcock, close the shut-off valve (f) and turn off the sectioning switch (Fig. 1-2).

VENTILATION MODE

To obtain the ventilation function only, make sure switch (9) is on position "0" and then simply turn the switch (14) to position "1". To stop it, turn the switch 14 to position "0". Pg. 8


Warning

 Whichever be the reason, the unit try to restart once. If the cause of malfunction remains, the unit definitely stop and lamp (8) will light up

The heater can be restarted only by pressing the reset button (8). Nonetheless, the cause that triggered the safety device should always be carefully analyzed and resolved before restarting the heater (See Troubleshooting Guide page 8).

TRANSPORT AND HANDLING

Warning


-  Before moving the unit:
- Stop the machine as indicated in HEATING MODE section (Turning OFF)
 - Disengage the power supply by removing the plug from the power socket;
 - Fully unscrew the fitting connecting the gas hose pipe to the heater;
 - Wait for the heater to cool down.

The heaters with wheels must be wheeled.

MAINTENANCE

To regulate operation of the unit, the fan, combustion chamber and the burner must be at least annually inspected and periodically cleaned by a qualified service person.


Warning

-  Before performing any maintenance operation:
- Stop the machine as indicated in HEATING MODE section (Turning OFF)
 - Disengage the power supply by removing the plug from the power socket;
 - Close the gas supply stopcock and shut-off valve (f);
 - Wait for the heater to cool down.

During cleaning any foreign bodies must be removed from the fan suction grille.


To access the burner, remove the flame guard panel (Item 4, Fig. 1) by removing the four screws and clean carefully inside the combustion chamber and the whole burner head: any debris shall be taken away.

Warning

-  Do not direct jets of compressed air towards the air pressure points near the main fan: the air pressure switch could be permanently damaged.

Cleaning of the burner shall be regularly performed by qualified service person. To access the burner, remove the flame guard shield of combustion chamber (front side) and clean carefully inside the combustion chamber and the whole burner head and electrodes.

Warning

-  After cleaning, the flame guard panel of combustion chamber (4) must be put back in place and secured with the relative screws before operate the heater.

Operating the heater without the flame guard panel of combustion chamber (4) can cause the flame to work with risk to the health of exposed persons (because of formation of carbon monoxide, CO) and constituting a danger for the environment.

VAPORIZATION RATES IN BTUH @ 0 DEG. F							
TANK SIZE	NUMBER OF TANKS MANIFOLDED	PERCENTAGE OF TANK FILLED					
		10%	20%	30%	40%	50%	60%
250	1	126,900	169,200	197,400	225,600	253,800	282,000
	2	279,180	372,240	434,280	496,320	558,360	620,400
	3	486,027	648,036	756,042	864,048	972,054	1,080,060
500	1	198,135	264,180	308,212	352,240	396,270	440,300
	2	435,897	581,196	687,066	774,928	871,794	968,660
	3	758,857	1,011,809	1,180,451	1,349,079	1,517,714	1,686,349
1000	1	354,240	472,320	551,040	629,760	708,480	787,200
	2	779,328	1,039,104	1,212,288	1,385,472	1,558,656	1,731,840
	3	1,356,739	1,808,985	2,110,483	2,411,980	2,713,478	3,014,976

NOTE: USE FOLLOWING MULTIPLIERS FOR OTHER AIR TEMPERATURES

- For -10° F multiply x 0.50
- For + 10°F multiply x 1.5
- For +20°F multiply x 2.0
- For +40°F multiply x 3.0
- For +50°F multiply x 3.5
- For +60°F multiply x 4.0

CONTROL PANEL

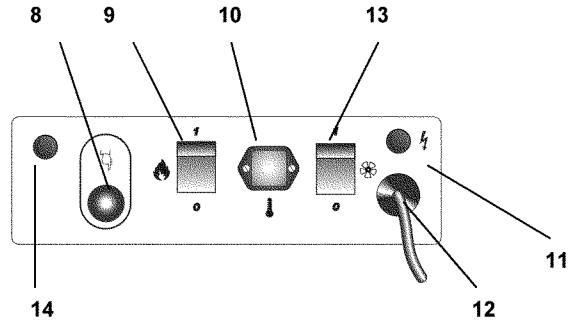
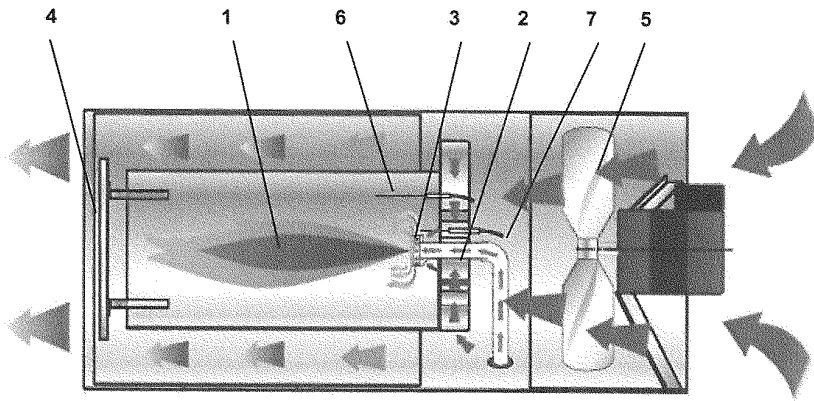
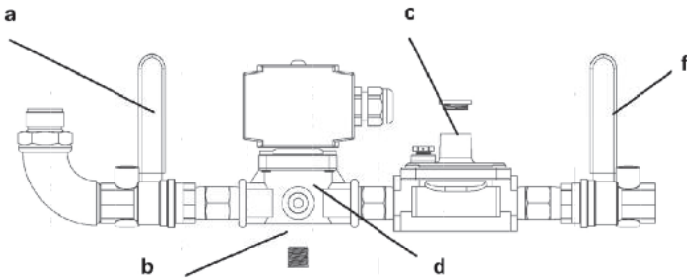


Fig. 1

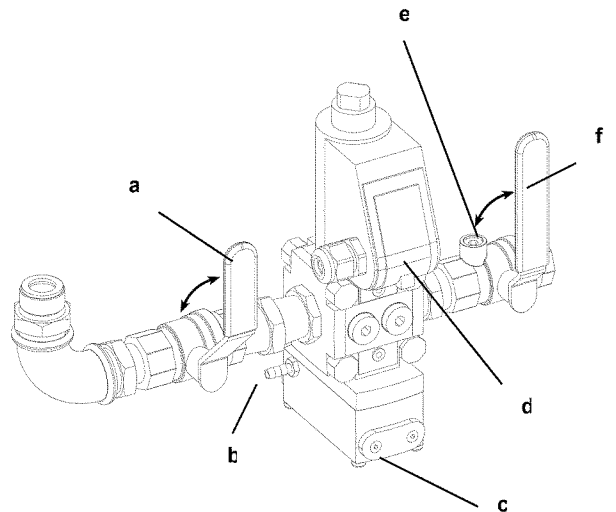
- 1 COMBUSTION CHAMBER
- 2 BURNER
- 3 DIFFUSION RING
- 4 FLAME GUARD SHIELD
- 5 COOLING FAN
- 6 IONIZATION ELECTRODE
- 7 IGNITION ELECTRODE

- 8 CONTROL FLAME ELECTRONIC RESET
- 9 HEATING SWITCH (see Heating Mode, Page 7)
- 10 ROOM THERMOSTAT PLUG
- 11 POWER CONTROL LAMP
- 12 POWER CORD
- 13 VENTILATION MODE SWITCH (see Heating Mode, Page 7)
- 14 PHASE / NEUTRAL LINE TEST PUSH BUTTON

MANIFOLD ASSEMBLY



DG 250



DG 400

- a GAS SELECTOR VALVE
- b MANIFOLD PRESSURE PORT (MANIFOLD)
- c MANIFOLD PRESSURE REGULATOR

Fig. 2

- d MAIN GAS VALVE
- e INLET PRESSURE PORT
- f SHUT OFF / FIRING VALVE

Note: To measure manifold pressure use gas pressure test set Part #G24507

TROUBLESHOOTING GUIDE

FAULTS	CAUSES	REMEDIES
• The heater fails to start/ignite	• No power supply	<ul style="list-style-type: none"> • Check power specifications • Check power connections • Check fuse integrity
	• Main switch in wrong position	• Select correct position
	• Faulty operation of room thermostat Connect thermostat (optional) or blind plug to thermostat receptacle. Unit will not run without one of these items plugged into receptacle.	• Check thermostat position (Confirm "H" Mode)
	• Defective transformer or electronic control unit	• Call Tech Service
	• The duct gives too much back pressure and airpressure switch PA1 blocks the heater	• Reduce back pressure by straightening the duct or by reducing duct length
	• Control board or overheat limit needs reset	• Push button to reset (see below)
• The heater stops and the indicator light (1) comes on	• Gas pressure switch trips due to interruption of gas flow (gas pressure switch electric contact does not close during operation)	<ul style="list-style-type: none"> • Make sure the gas supply hose has been bled • Check gas supply pressure
	• The flame sensor is not operating correctly	• Remove the flame sensor and clean
	• The safety thermostat trips due to overheating of the combustion chamber (the thermostat electrical contact does not close during operation)	<ul style="list-style-type: none"> • Make sure the suction and feed grilles are not blocked • Make sure the environment is well ventilated • Confirm correct supply & manifold gas pressure • Make sure the warm air can exit freely
	• Control unit trips due to irregular operation of burner	• Call Tech Service
	• Faulty air switches	• Check the air switch, filter & tube, replace if defective
	• Faulty electronic control unit	• Call Tech Service
	• Faulty thermostat	• Check the thermostat and, if necessary, replace
• Fan noise or vibrations	• Foreign bodies on fan blades	• Remove foreign bodies
	• Little air circulation	• Eliminate and obstacles to proper air flow

DIAGNOSTICS

If the control unit is in lockout status, by keeping the reset push-button (on-board or remote) pressed for about 5 seconds, the diagnostics routine will be activated and the cause leading to the lockout condition will be displayed. Pressing the reset push-button again enables to reset the device and to terminate the diagnostics routine. The following table shows a description of the diagnostics messages:

No. of blinks (red LED or LO output)	Description
2	Flame failure at the end of TS
3	Air pressure switch does not close
4	Extraneous light / flame simulation at start-up
5	Air pressure switch failure to open during start-up
6	Air pressure switch failure in running status
7	Flame failure in running status
9-14	Internal failure

SIGNALLING DURING OPERATION

In the various operating conditions, the device can signal its operating status by means of a multicolour LED located on the on-board lockout signal. The meaning of the colours is the following:





	Stable green: Pre-purge (TP) – Ignition (TS) – Running status (RP)
	Discontinuous orange (1s ON – 1s OFF): Low-voltage condition detected, waiting for supply voltage restoration
	Stable red: Lockout status (LO)
	Off: Stand-by status (SY)

Fig. 5 – Meaning of LED signals

RESETTING THE CONTROL UNIT

When the control unit goes to non-volatile lockout, to reset the system press the reset push-button till the lockout signal turns off (< 5 seconds).

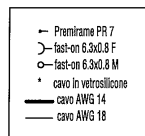
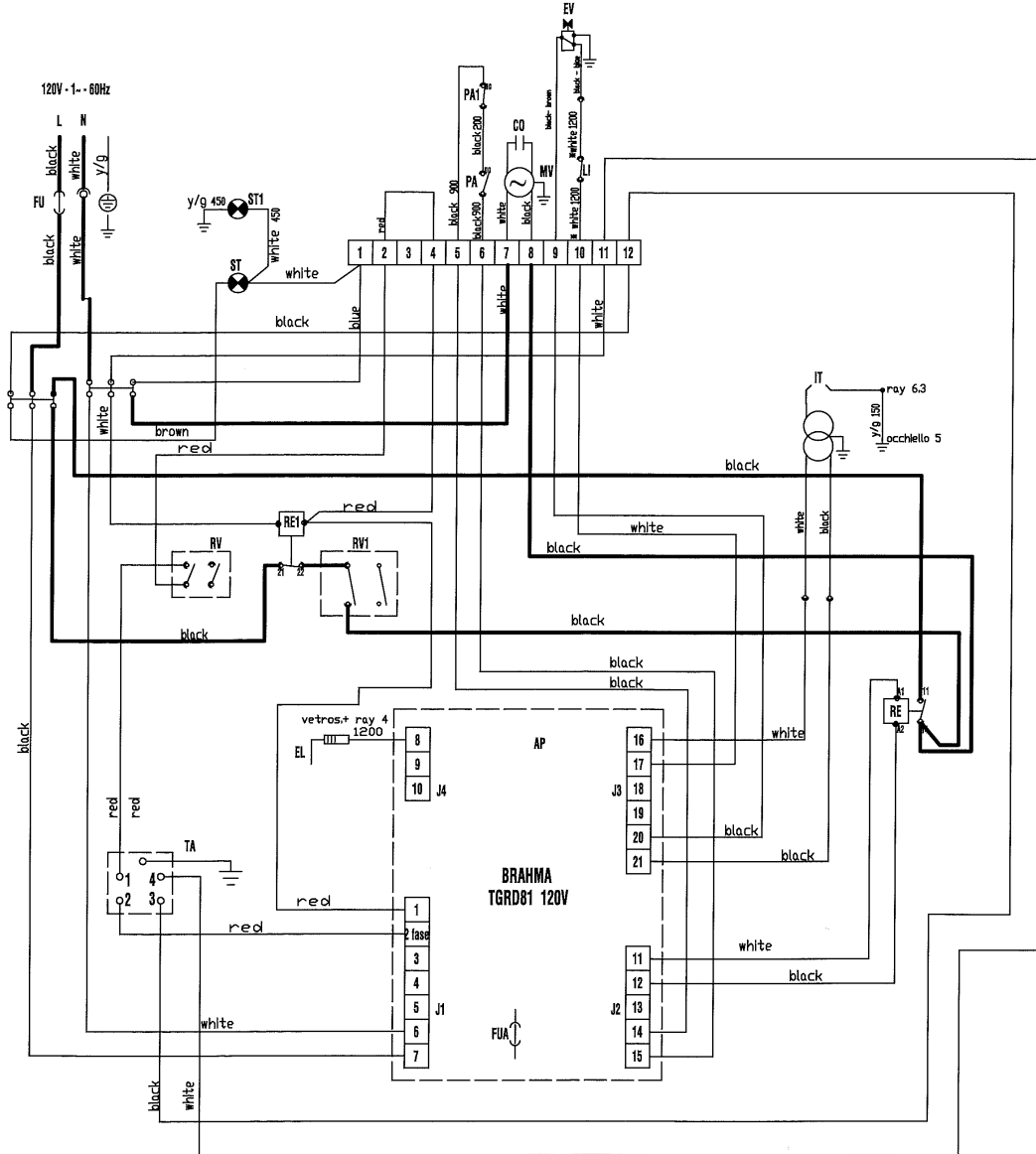
Volatile lockout, hold reset button for at least one minute, red light should go out, let control board "reboot" for at least another minute before attempting to start again.

Wiring Diagram

For model DG250, starting from SN 43300101

For model DG400, starting from SN 43400201

Note: 5 pin thermostat plug



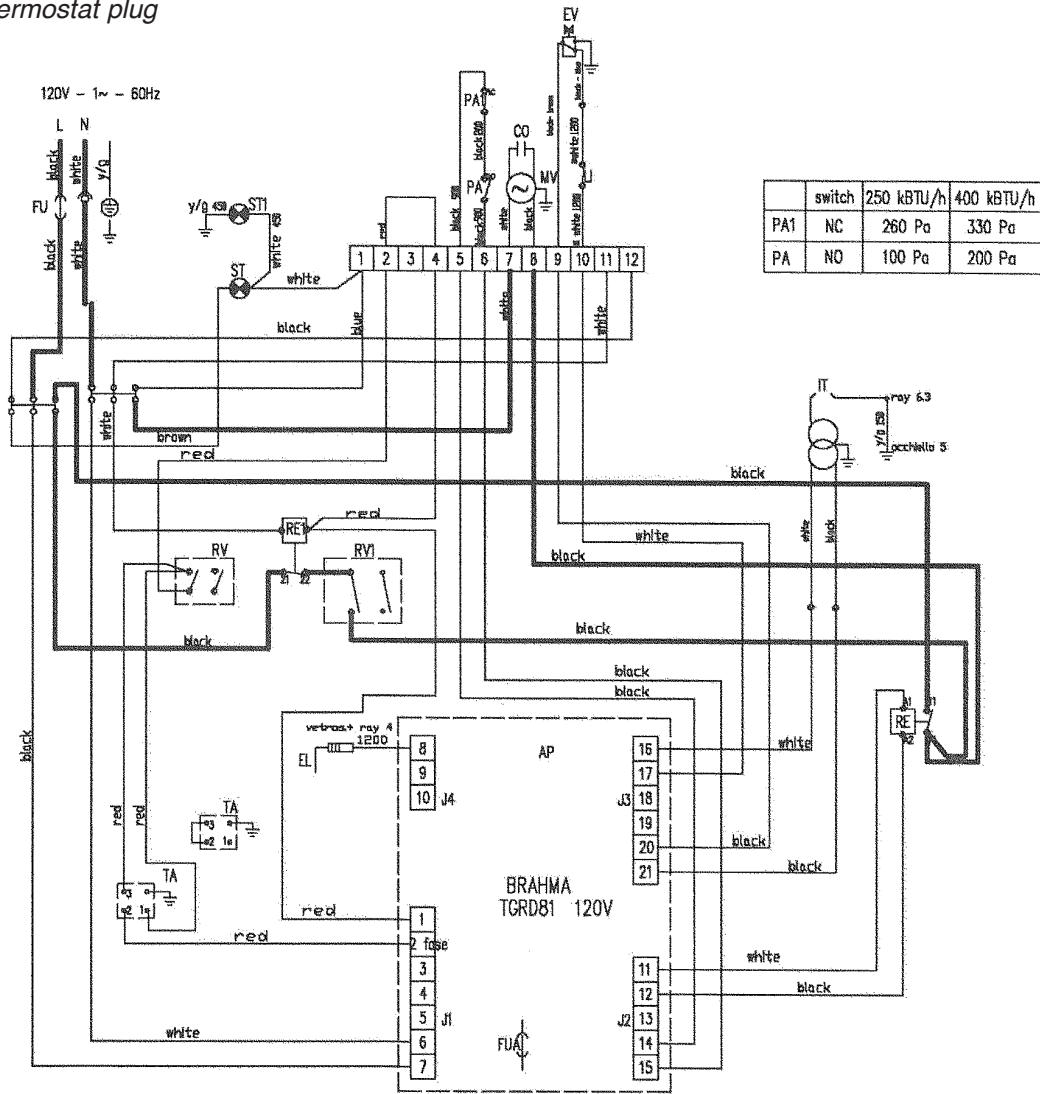
- | | |
|--|--|
| AP Control box | CO Condenser |
| TA Room thermostat plug | MV Fan motor |
| ST Electric pilot lamp | FUA Fuse P/N - E10325 |
| ST1 Polarity pilot lamp | RV Flame switch |
| FU Fuse 20A | RV1 Fan switch |
| IT Transformer H.V. | LI Overheat safety thermostat |
| EV Gas train | RE Fan motor relay |
| EL Ionisation electrode | RE1 No stop ventilation relay |
| PA Air pressure switch | RE2 Delay starting relay Optional |
| PA1 Air pressure switch Presostato aire | R Anti moisture resistance Optional |

Wiring Diagram

For model DG250, prior to SN 43303001

For model DG400, prior to SN 43403001

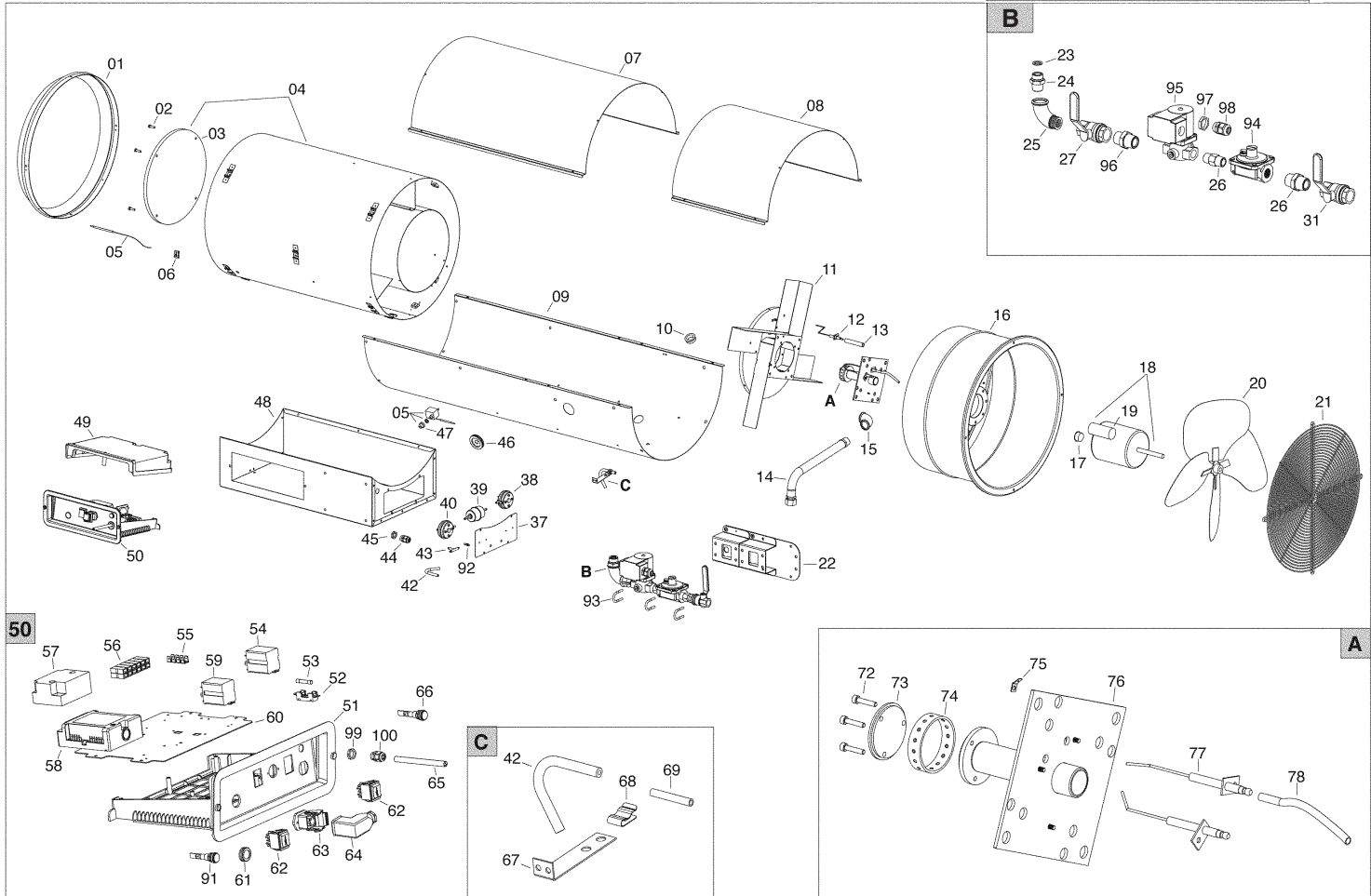
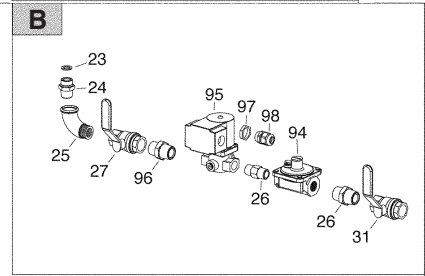
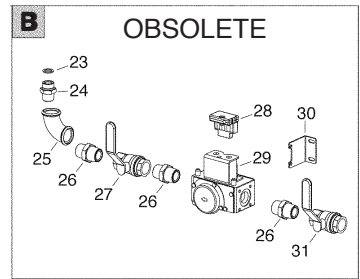
Note: 4 pin thermostat plug



- | | |
|--------------------------------|------------------------------------|
| AP CONTROL BOX | RE MOTOR RELAY |
| FU FUSE | ST CONTROL LAMP |
| EL IONIZATION ELECTRODE | EV GAS TRAIN |
| FUA FUSE P/N - E10325 | MV COOLING MOTOR |
| LI OVERHEAT THEMOSTAT | RV1 VENTILATION MODE SWITCH |
| PA PRESSURE SWITCH (2) | RE1 POST-VENTILATION RELAY |
| TA ROOM THERMOSTAT PLUG | |
| IT TRANSFORMER H.T. | |
| CO CAPACITOR | |
| RV HEATING SWITCH | |

DG250

Parts Breakdown



DG250 Parts List

POS	P/N	DESCRIPTION	POS	P/N	DESCRIPTION
01	G03146-9005	Outlet cone	62	E10110-1-P	Switch
02	M10203/1/B	Screw	63	E20639	Plug housing - 5 pin, female
03	G03113	Front disc		E20640	Plug housing - 4 pin, female
04	G03148	Combustion chamber	64	E20966	Plug with jumper - 5 pin
05	E50745	Safety thermostat		E20677	Plug with jumper - 4 pin
06	M20413	Hose bracket	65	E30443	Power cord
07	G03149-9010	Upper body		E30443-1	Power cord (used with cable nut)
08	G03151-9010	Inspection panel	66	E11030	Lamp
09	G03153-9010	Lower body	67	G03144-X	Stirrup
10	C30372	Cable protection	68	M20413	Hose bracket
11	G03155	Rear disc	69	I40303	Pipe
12	E10245	Ionisation electrode	72	M10323/1	Screw
13	I40332	Silicone pipe	73	GA.0010208	Burner disc
14	I39106	Flex gas pipe	74	GA.0110205	Diffuser ring
15	I20326	Fitting	75	E20679	Terminal board
16	G06125-9005	Air conveyor	76	G03129	Burner support plate
17	C30374	Pipe cap	77	E10215	Ignition electrode
18	E10678-110	Motor - AACO	78	G02078	H.T. Cable connect.
	E10771	Motor - Simel	79	G03160-9005	Lifting bracket
19	E11230	Capacitor - For AACO motor (40mf)	80	G03161-9005	Lifting bracket
	E10771-1	Capacitor - For Simel motor (30mf)	81	G03162-9005	Frame
20	T10260	Fan	82	G03163-9005	Wheel axle
21	P30169	Inlet grill	83	M20111	Washer
22	G03414-9005	Valve support plate	84	C10556	Wheel - Air filled
23	I39102	Seal		C10510	Wheel - Hard rubber
24	I31205-1	Fitting	85	M20505	Latched pin
25	I20327	Fitting	86	G03164-9005	Support
26	I31209-1	Fitting	87	G03165-9005	Frame
27	T30330-3	Gas selector valve	88	G03166-9005	Frame
31	T30349	Gas manual valve	89	G03167-9005	Handle plate
37	G03156-9010	Pressure switch support bracket	90	C10203	Handle
38	E50444	Pressure switch	91	E11021	Lamp
39	I30414	Filter	92	I31131	Brass hose connection
40	E50440	Pressure switch	93	I31132	Brass hose connection
42	I40335	Silicone pipe	94	T30119	Regulator
43	I20669	Hose connection	95	T30118	Gas valve unit
44	E20952	Cable fastener	96	I20335	Fitting
45	E20955	Cable fastener nut	97	E20950	Fastener nut
46	C30376	Cable protection	98	E20949	Cable fastener
47	E50750	Safety thermostat plastic profile	99	E20965	Cable nut
48	G03158-9010	Base	100	E20964	Cable fastener
49	P50127	Control box cover			
50	G00375-5P	El. control box - with 5 pin T-stat receptacle			
	G00287	El. control box - with 4 pin T-stat receptacle			
51	G03176	El. control box panel			
52	E20508	Fuse holder			
53	E10323	Fuse			
54	E11153	Relay			
55	E20319	Ground terminal board			
56	E20305	Terminal board			
57	E10931	H.T. Transformer			
58	E40229	Flame control box			
59	E11125	Relay			
60	G06073	Support plate			
61	E20418	Stop button protection			

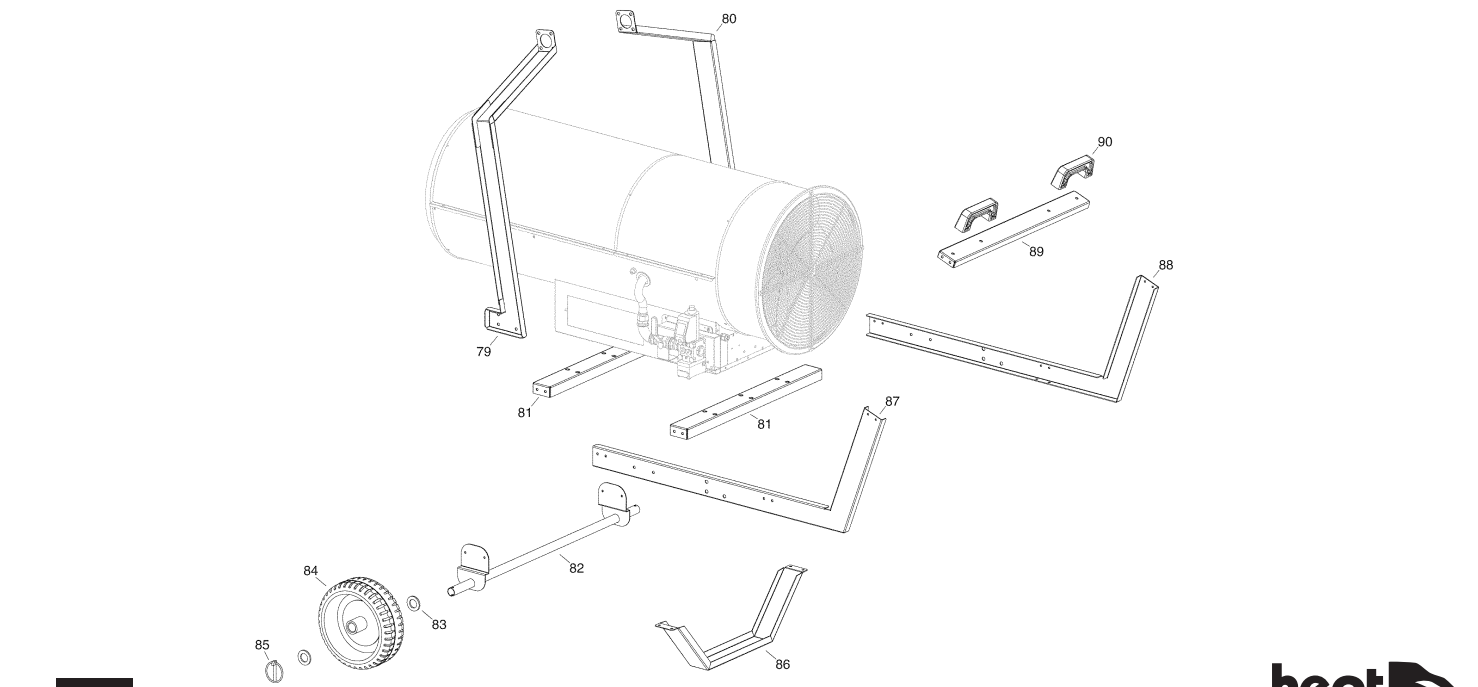
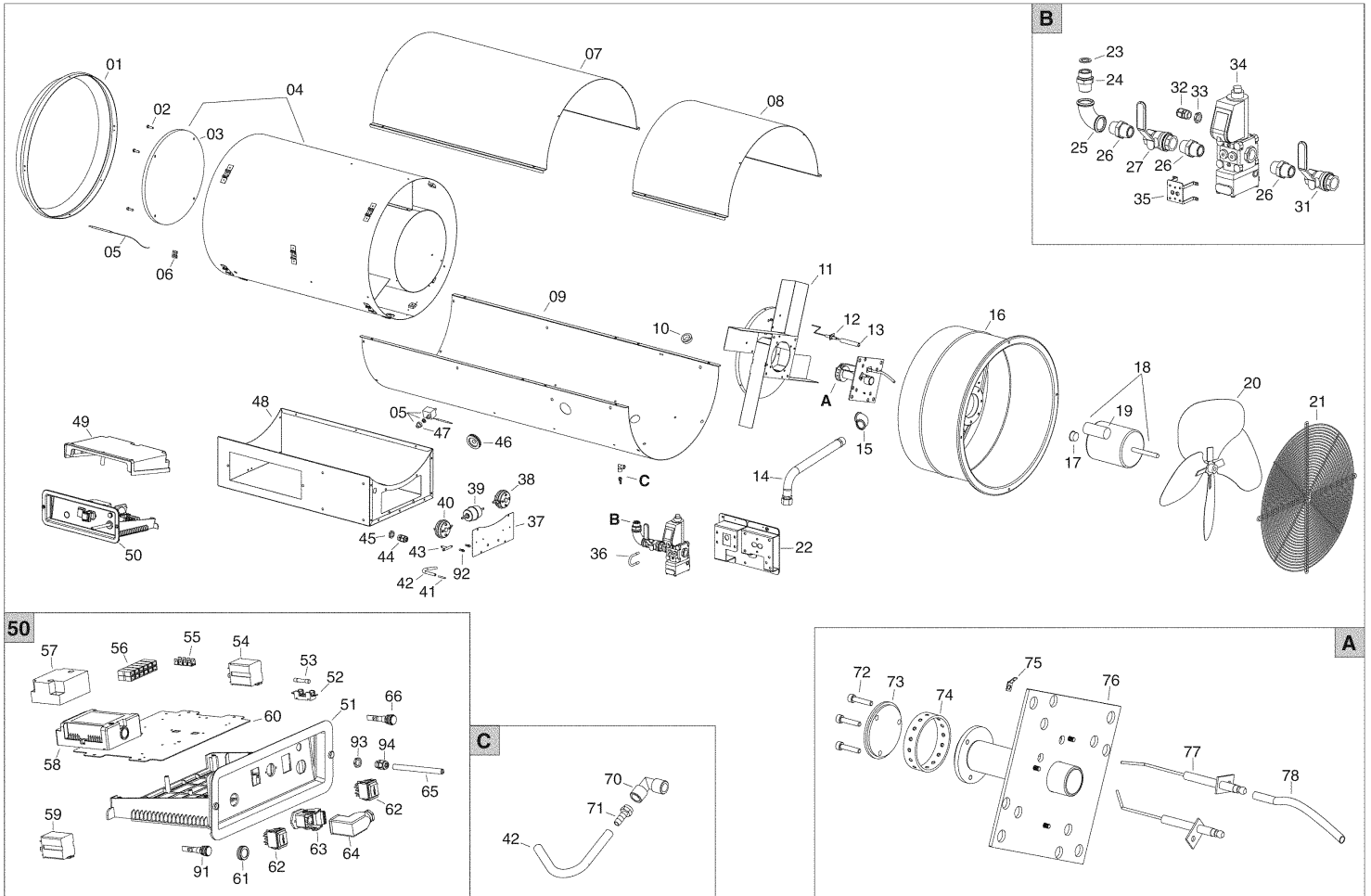
*NOTE: Not shown
Fuse for Flame Control Box - E10325*

Optional Thermostat (5 Pin)

DIGTHIDF-5	Optional thermostat with 50' cord
7979K24	5 pin plug insert
7979K32	5 pin plug cover

DG400

Parts Breakdown



DG400 Parts List

POS	P/N	DESCRIPTION
01	G06139-9005	Outlet cone
02	M10203/1/B	Screw
03	G03114	Front disc
04	G03147	Combustion chamber
05	E50745	Safety thermostat
06	M20413	Hose bracket
07	G03150-9010	Lower body
08	G03152-9010	Inspection panel
09	G03154-9010	Lower body
10	C30372	Cable protection
11	G03126	Rear disc
12	GA.0100206	Ionisation electrode
13	I40332	Silicone pipe
14	I39106	Flex gas pipe
15	I20326	Fitting
16	G06239-9010	Air conveyor
17	C30374	Pipe cap
18	E10704-110	Motor - AACO
	E10772	Motor - Simel
19	E11249	Capacitor - For AACO motor (80mf)
	E10772-1	Capacitor - For Simel motor (100mf)
20	T10261	Fan
21	P30129	Inlet grill
22	G06330-9005	Valve support plate
23	I39102	Seal
24	I31205-1	Fitting
25	I20326	Fitting
26	I31204	Fitting
27	T30330-2	Gas selector valve
31	T30333	Gas manual valve
32	E20943	Cable fastener
33	E20932	Cable fastener nut
34	T30111	Gas valve unit
35	G06332-9005	Gas valve support bracket
36	M20907	Stirrup
37	G03157-9010	Pressure switch support bracket
38	E50443	Pressure switch
39	I30414	Filter
40	E50441	Pressure switch
41	I40336	Rilsan pipe
42	I40335	Silicone pipe
43	I20669	Hose connection
44	E20952	Cable fastener
45	E20955	Cable fastener nut
46	C30376	Cable protection
47	E50750	Safety thermostat plastic profile
48	G03159-9010	Base
49	P50127	Control box cover
50	G00286-5P	El. control box - for 5 pin T-stat
	G00286	El. comp. drawer - for 4 pin T-stat
51	G03176	El. control box panel
52	E20508	Fuse holder
53	E10313	Fuse
54	E11153	Relay
55	E20319	Ground terminal board
56	E20305	Terminal board
57	E10931	H.T. Transformer
58	E40229	Flame control box
59	E11125	Relay

POS	P/N	DESCRIPTION
60	G06073	Support plate
61	E20418	Stop button protection
62	E10110-1-P	Switch
63	E20638	Plug housing - 5 pin female
	E20640	Plug housing - 4 pin female
64	E20966	Plug with jumper - 5 pin
	E20677	Plug with jumper - 4 pin
65	E30443	Power cord
	E30443-1	Power cord - used with cable nut
66	E11030	Lamp
70	I20325	Fitting
71	I31130	Brass hose connection
72	M10323/1	Screw
73	GA.0010208	Burner disc
74	GA.0100204	Diffuser ring
75	E20679	Terminal board
76	G03129	Burner support plate
77	E10215	Ignition electrode
78	G02078	H.T. Cable connection
79	G03168-9005	Lifting bracket
80	G03169-9005	Lifting bracket
81	G03170-9005	Frame
82	G03171-9005	Wheel axle
83	M20111	Washer
84	C10556	Wheel - Air filled
	C10510	Wheel - Hard rubber
85	M20505	Latched pin
86	G03172-9005	Support
87	G03173-9005	Frame
88	G03174-9005	Frame
89	G03175-9005	Handle plate
90	C10203	Handle
91	E11021	Lamp
92	I31131	Brass hose connection
93	E20965	Cable nut-units SN 43400232 and beyond
94	E20964	Cable fastener-units SN 43400232 and beyond

NOTE: Not shown

Fuse for Flame Control Box - E10325

Optional Thermostat (5 Pin)

DIGTHIDF-5	Optional thermostat with 50' cord
7979K24	5 pin plug insert
7979K32	5 pin plug cover

Optional Accessories

Note: If your incoming gas supply pressure is greater than 1/2 psi you will need a regulator to reduce the incoming pressure before installation to heater.



REGULATOR

#40SV06

Handles up to 60 psi

For NG pressure
1-5 lbs. Call Heat Wagon



GAS HOSE

#7525 - 3/4" x 25'

CSA certified for
NG and Propane

Female Swivel
Fittings Included



PRESSURE GAUGE

#HV1169

W.C. 0-15"

1/4" MNPT



ACC-INSTKIT

*Everything you need for installation of
propane tank to heater.*

(Includes 25' of 3/4" hose)

*Duct and Thermostat Information
See Page 4*