

**DESCRIPTION**

The CIR Series offers quality and value with a compact and attractive LED based remote emergency light. The white base-plate and lamp-heads are made of high impact UL flame rated thermoplastic. Lamp-heads are fully adjustable and glare-free. The remote lamps are driven by the Compass remote capacity Exit, Combo or Emergency Light.

**APPLICATION**

The CIR Series can be applied in stair-wells, hallways, offices and other commercial applications.

**COMPLIANCES**

UL924 Damp Listed  
NFPA 101 and NFPA 70  
OSHA

**WARRANTY**

2 year full unit warranty



**FEATURES**

- Single or Double lamp-head remote with base-plate
- LED life-cycle of more than 10 years
- Quick installation
- Dual-voltage 120 or 277V AC input
- Damp Location Listed
- Fully adjustable lamp-heads

**ORDERING GUIDE**

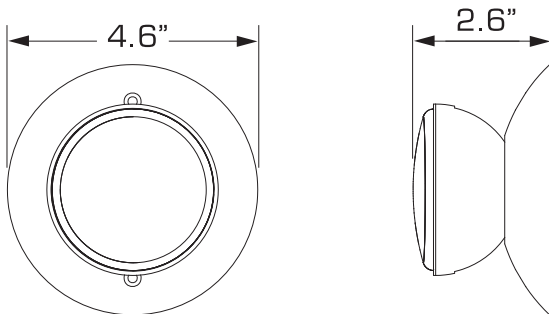
| Catalog Number | Description                                    | Voltage | Lamp Watts (Each) |
|----------------|--|---------|-------------------|
| CIRS           | Single LED remote lamp-head with mounting base | 3 VDC   | 1 Watt            |
| CIRD           | Double LED remote lamp-head with mounting base | 3 VDC   | 1 Watt            |

\*Powered by the Compass Exit, Combo or Emergency Light with Remote Capacity

**ACCESSORIES**

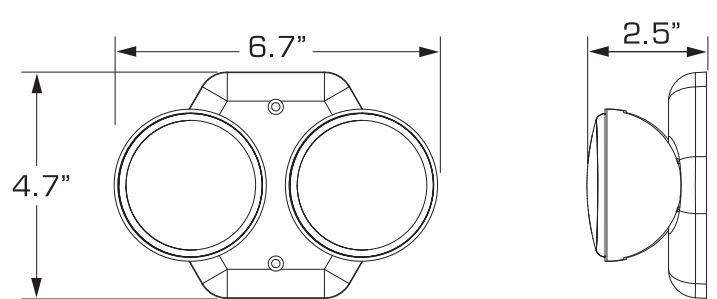
WGZL Wireguard - 6.25" H X 14" W X 4" D

**DIMENSIONS**



**CIRS**

Single Remote Carton Weight: 1 lbs.  
Master Carton Quantity: 20 each



**CIRD**

Double Remote Carton Weight: 1.2 lbs.  
Master Carton Quantity: 20 each