

NEMA 4X / C1D2 / C2D1 Industrial LED Emergency Light



U.S. Patents Pending

FEATURES

- Industrial LED based emergency light for wall or ceiling mount application
- High impact gray finish housing, covers and shield in polycarbonate
- Fully adjustable high output LED lamp-heads with locking feature
- Food Processing option (FP) includes shield over lamp-heads
- Environmentally friendly, long-life Lithium Iron Phosphate battery
- Continuous lumen output over the full 90 minute discharge requirement
- Includes conduit entry through top center and both sides
- Temperature Range: Wet/NEMA 4X 10°C to 50°C (50°F to 122°F), Heater Option: -30°C to 50° (-22°F to 122°F)
- Listed to UL924 Standard, Wet Location and NEMA 4X/IP66 Certified, Class 1 Div. 2 and Class 2 Div. 1, Listed to UL Standard 924 and 844 (Hazardous Location)

ORDERING INFORMATION

MODEL	CAPACITY	SELF DIAGNOSTICS	APPLICATION	OPTIONS
DYN	6 6 Watts ² 12 12 Watts ³	Blank No Self-Diagnostics I Spectron® Self-Diagnostics	Blank Wet Location 4X NEMA 4X/IP66 rated FP Food Processing Rated ⁴ HTR Heater for Cold Temp ⁵ C1D2 Class 1 Div. 2 ⁶ C1D2 Class 2 Div. 1 ⁷	Blank 3 Watt LED lamps ¹ 06L 6 Watt LED lamps ¹

¹ Only available on DYN with 12 watt capacity

² DYN6 only available in the following configurations-DYN6, DYN6I, DYN6-4X, DYN6I-4X, DYN6I-4X-HTR, DYN6I-4X-FP, DYN6I-4X-HTR-FP

³ DYN12 only available in the following configurations-DYN12, DYN12I, DYN12-4X, DYN12-4X-FP, DYN12I-4X, DYN12I-4X-HTR, DYN12I-4X-FP, DYN12I-4X-HTR-FP, DYN12I-06L, DYN12I-06L, DYN12I-4X-06L, DYN12I-4X-FP-06L, DYN12I-4X-06L, DYN12I-4X-HTR-06L, DYN12I-4X-FP-06L, DYN12I-4X-HTR-FP-06L

⁴ FP option must be ordered with 4X option. Example: DYN6I-4X-FP

⁵ HTR option only available with Spectron

⁶ C1D2 Option only available with DYN6I-C1D2, DYN12I-C1D2, and DYN12I-C1D2-06L

⁷ C2D1 Option only available with DYN6I-C2D1, DYN12I-C2D1, and DYN12I-C2D1-06L, which includes shield

INPUT POWER CONSUMPTION

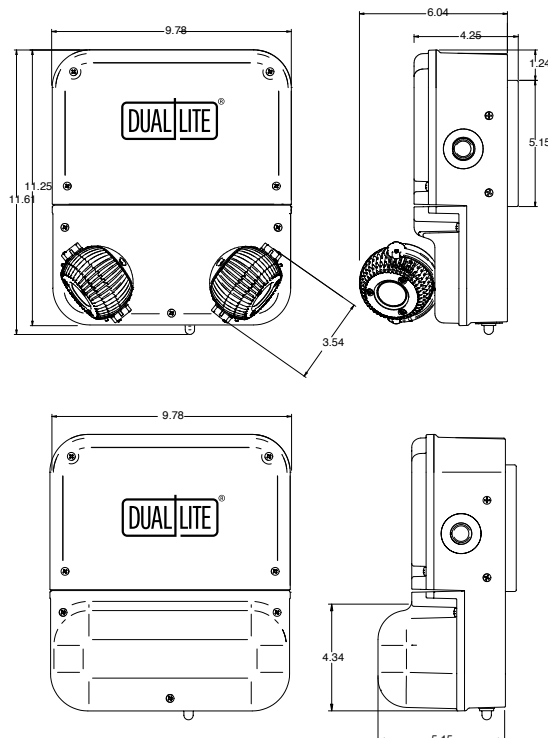
	INPUT VOLTS	CURRENT	MAXIMUM WATTAGE
DYN6	120	0.03	3.40
	277	0.04	3.49
DYN6 with heater	120	0.18	20.94
	277	0.08	21.13
DYN12	120	0.05	5.98
	277	0.04	6.52
DYN12 with heater	120	0.21	25.30
	277	0.09	25.60

Maintenance Mode Power Consumption -
120 VAC - 0.33W; 277VAC - 0.36W

ELECTRONICS

- 120 through 277VAC input at 50/60Hz with Intelligent 2 wire input connection
- AC lockout and Low Voltage disconnect
- Battery re-charge within 24 hours
- Optional Self-Test/Self-Diagnostic circuitry
- Optional Heater Circuitry
- Optional remote capacity to run matching remote heads

DIMENSIONS



MATCHING REMOTE FIXTURE

REMOTE HEADS

DYNRS-4X	NEMA 4X Rated Single Head Remote
DYNRD-4X	NEMA 4X Rated Double Head Remote
DYNRS-4X-FP	Food Processing rated Single Head Remote
DYNRD-4X-FP	Food Processing rated Double Head Remote
DYNRD-C1D2	Class 1 Div. 2 Remote, 3W Heads, 1 conduit hub included
DYNRD-C2D1	Class 2 Div. 1 Remote, 3W Heads with shield, 1 conduit hub included