

IDECODE - Coded Interlock Switches - Type: MPC

Coded Magnetic Actuation

Switching Tolerance up to 10mm



Compact yet robust fitting suitable for all small guard applications.
LED indication.

Hygienic screw covers ensure suitability for Food Processing washdown.
Cost effective interlock solution.

Wide sensing at 10mm.

High Specification polyester housing with backplate

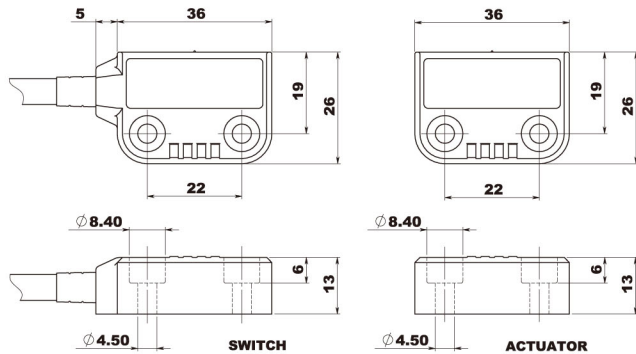
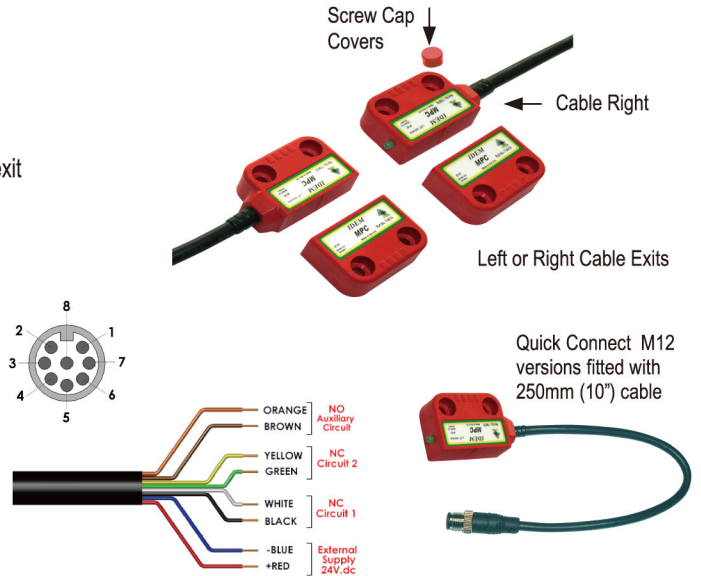
Can be mounted unobtrusively in channels or behind doors, left or right cable exit

Up to: PLe ISO 13849-1 SIL 3 EN 62061 Cat 4 EN 954-1

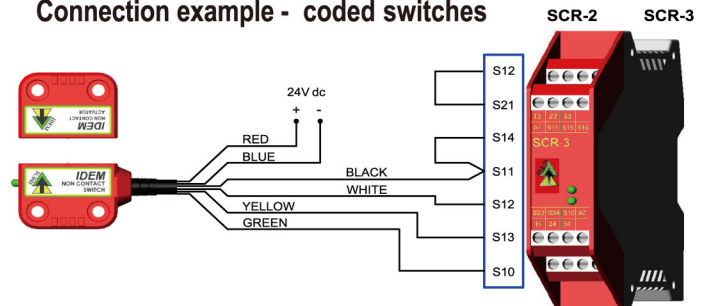
2NC 1NO circuits - High switching life - no moving parts

Specified to 80C but designed to work up to 100C
Will operate with most EN 954-1 Cat.4 Safety Relays

Quick Connect (QC) M12 8 way Male Plug (Pin view from switch)	Flying Lead Colours	Circuit (Actuator Present)	Output Types Solid State
8	Orange	Auxiliary NO or NC	200mA Max. 24Vdc
5	Brown	Auxiliary NO or NC	
4	Yellow	Safety NC2 +ve	200mA Max. 24Vdc
6	Green	Safety NC2 -ve	
7	Black	Safety NC1 +ve	200mA Max. 24Vdc
1	White	Safety NC1 -ve	
2	Red	Supply +24Vdc	Supply 24Vdc +/- 10%
3	Blue	Supply 0Vdc	



Connection example - coded switches



Single switch connected to an SCR-2 or SCR-3 to give Dual Channel monitoring with Automatic Start.

Standards EN1088 IEC 60947-5-3 EN 60204-1
ISO 13849-1 EN62061 EN 954-1 UL508

Safety Classification and Reliability Data:

Switching Reliability EN 954-1	3.3 x 10 ⁶ operations at 100mA load up to Category 4 with Safety Relay
ISO 13849-1 EN 62061	up to PLe depending upon system architecture up to SIL3 depending upon system architecture
Safety Data - Annual Usage PFHd	8 cycles per hour / 24 hours per day / 365 days 2.52 x 10 ⁻⁸
Proof Test Interval (Life) MTTfd	47 years 470 years
Safety Channel 1 NC	24V.dc 0.2 A Max. Rating
Safety Channel 2 NC	24V.dc 0.2 A Max. Rating
Safety Channel 3 NO	24V.dc 0.2 A Max. Rating
Minimum switched current	10V. dc 1mA
Dielectric withstand	250V.ac
Insulation Resistance	100 Mohms
Recommended setting gap	5mm
Switching Distance: (Target to target)	Sao 8mm Close Sar 12mm Open
Tolerance to misalignment	5mm in any direction from 5mm setting gap
Switching frequency	1.0 Hz maximum
Approach speed	200mm/m. to 1000mm/s.
Body Material	UL approved polyester
Temperature Range	-25 +80C.
Enclosure Protection	IP69K IP67
Shock Resistance	IEC 68-2-27 11ms 30g
Vibration Resistance	IEC 68-2-6 10-55 Hz. 1mm
Cable Type	PVC 6 or 8 core 6mm O.D.
Mounting Bolts	2 x M4 Tightening torque 1.0 Nm
Mounting Position	Any

140101	Female QC Lead	M12 Female 5m. 8 way
140102	Female QC Lead	M12 Female 10m. 8 way

For all IDEM switches the NC circuits are closed when the guard is closed and the actuator present

Sales Number	Type	Cable Length	Circuits
114101	MPC Cable Right	2M	2NC
114102	MPC Cable Right	5M	2NC
114103	MPC Cable Right	10M	2NC
114104	MPC Cable Right	QC-M12*	2NC
114105	MPC Cable Right	2M	2NC 1NO
114106	MPC Cable Right	5M	2NC 1NO
114107	MPC Cable Right	10M	2NC 1NO
114108	MPC Cable Right	QC-M12*	2NC 1NO
114117	MPC Cable Right	2M	3NC
114118	MPC Cable Right	5M	3NC
114119	MPC Cable Right	10M	3NC
114120	MPC Cable Right	QC-M12*	3NC
114109	MPC Cable Left	2M	2NC
114110	MPC Cable Left	5M	2NC
114111	MPC Cable Left	10M	2NC
114112	MPC Cable Left	QC-M12*	2NC
114113	MPC Cable Left	2M	2NC 1NO
114114	MPC Cable Left	5M	2NC 1NO
114115	MPC Cable Left	10M	2NC 1NO
114116	MPC Cable Left	QC-M12*	2NC 1NO
114121	MPC Cable Left	2M	3NC
114122	MPC Cable Left	5M	3NC
114123	MPC Cable Left	10M	3NC
114124	MPC Cable Left	QC-M12*	3NC

* Other QC sizes available upon request

Note: 2NC 1NO versions have 2NC Safety and 1NO Auxiliary Circuits
3NC versions have 2NC Safety and 1NC Auxiliary Circuits

Available without LED if required