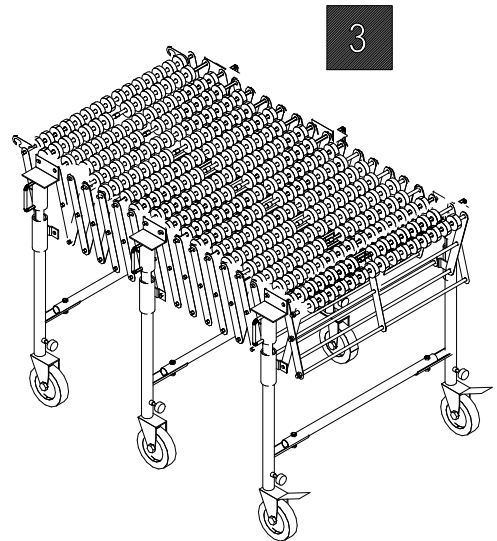
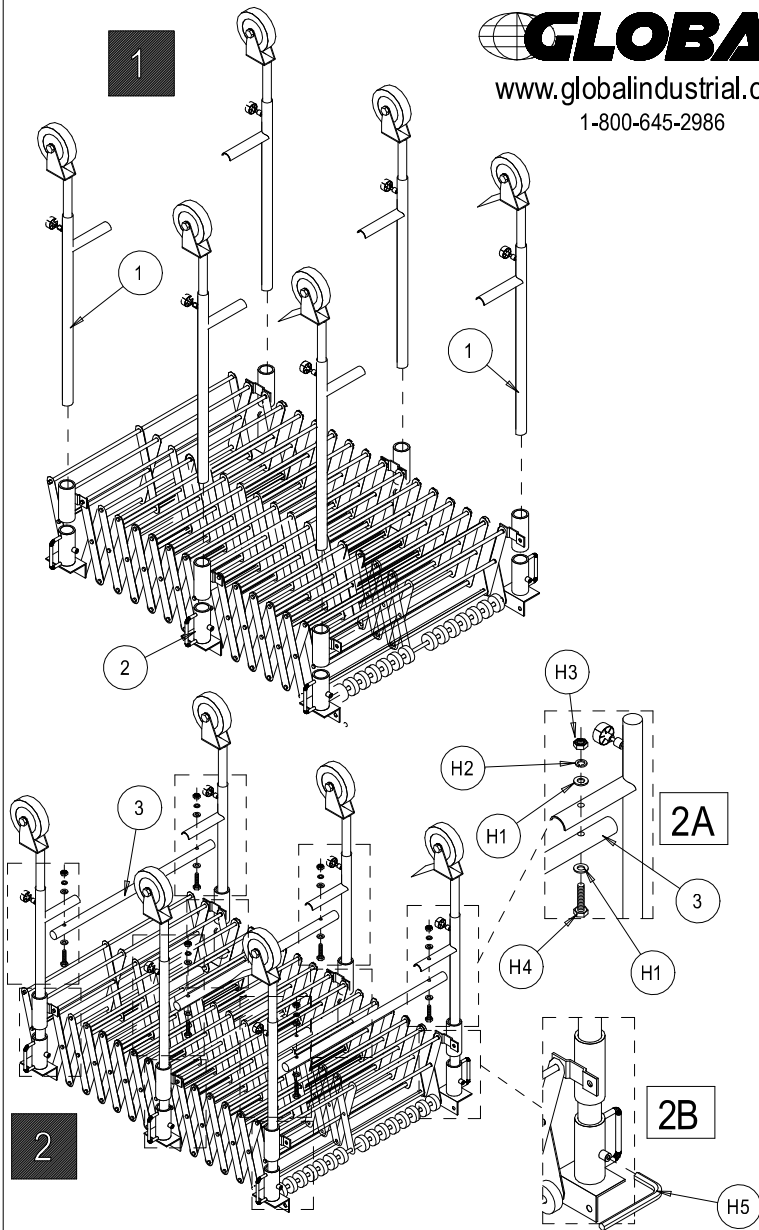
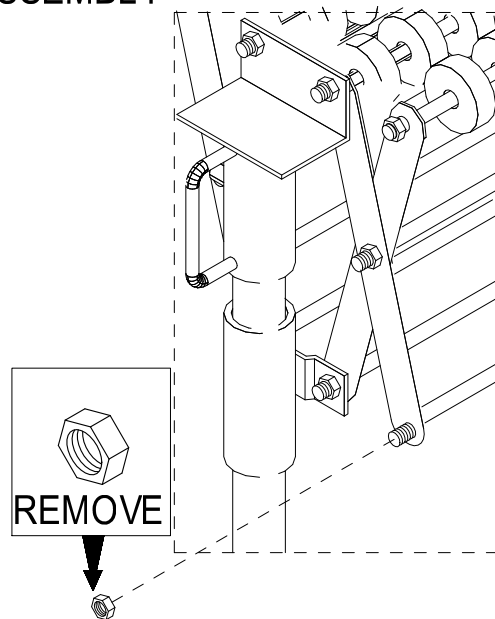
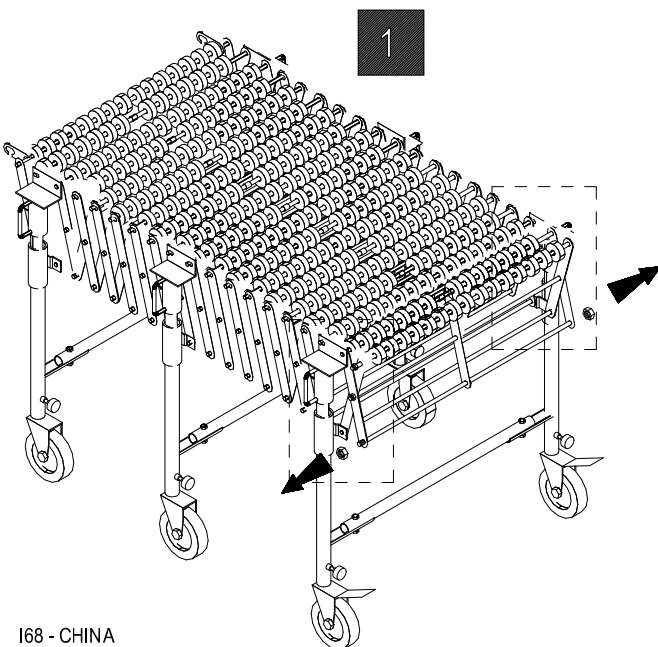


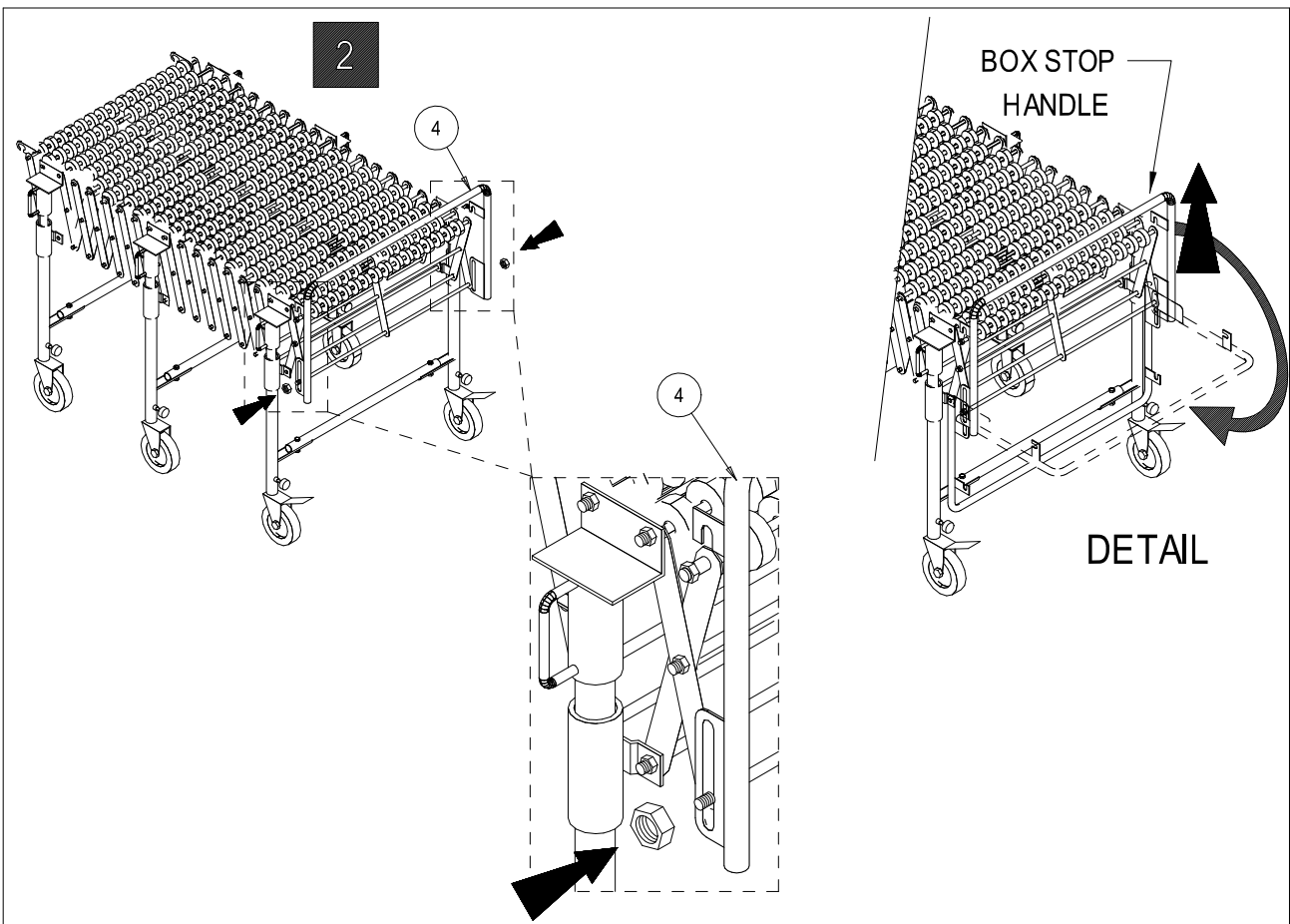
**FLEXIBLE CONVEYOR  
ASSEMBLY INSTRUCTION**

CONTENTS		
REF.	QTY.	DESCRIPTION
1	14	CASTER LEG
2	1	CONVEYOR
3	7	CROSS BAR
4	1	HANDLE
H1	28	
H2	14	
H3	14	
H4	14	
H5	1	
1		



**BOX STOP / HANDLE ASSEMBLY**





LINKING MULTIPLE UNITS

