

SWING STICK

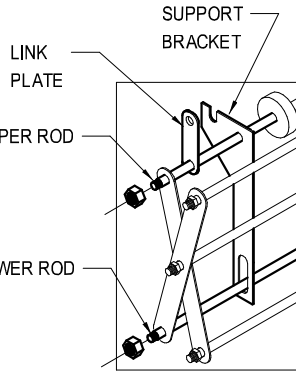
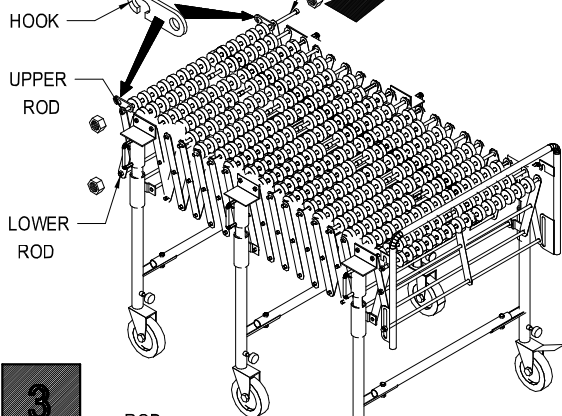
ASSEMBLY INSTRUCTION



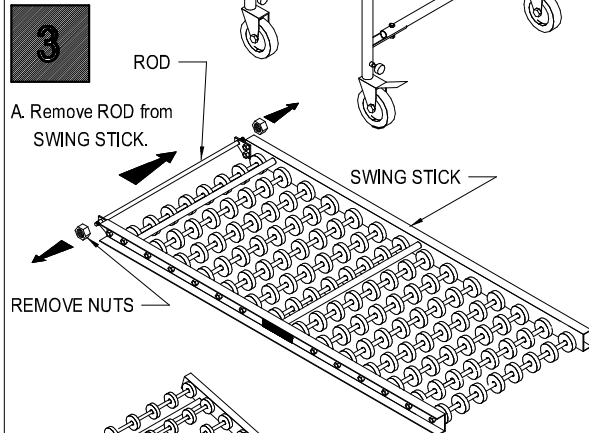
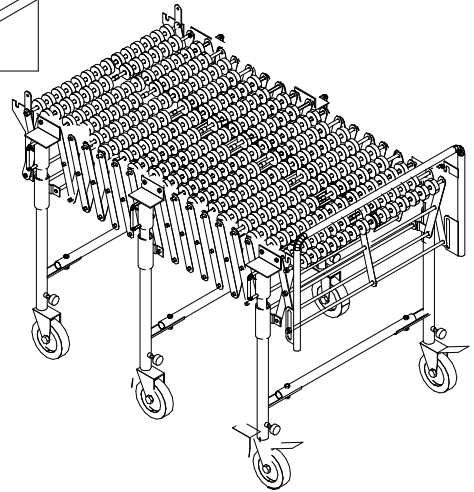
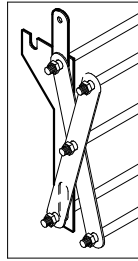
- 1**
- A. Remove NUT from left side on Upper and Lower ROD.
 - B. Slightly shift ROD over and remove HOOK. DO NOT Remove ROD from Conveyor. REPEAT for RIGHT SIDE.

NOTE:

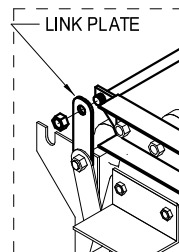
IF NUT does not Unscrew
hold UPPER ROD with Pliers.
Grip ROD not PLASTIC BUSHING.



- 2**
- A. Replace HOOK with SUPPORT BRACKET.
 - B. Then put LINK PLATE onto upper ROD.
 - C. Replace NUT.
 - D. REPEAT for RIGHT SIDE.



4



- A. Place SWING STICK with Bottom side UP on TOP of FLEX CONVEYOR.
- B. Rotate LINK PLATE to Align with Hole on SWING STICK. Re-Insert ROD and fasten with NUTS on BOTH SIDES.

