



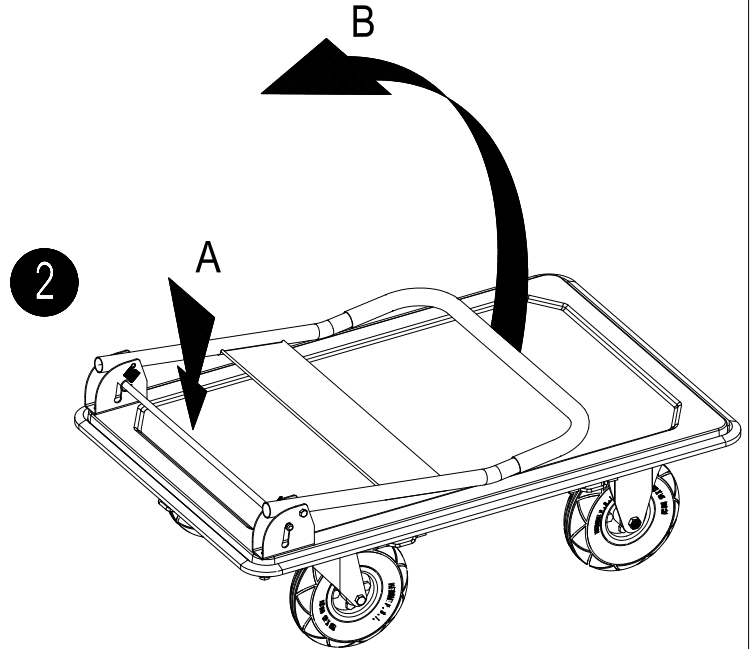
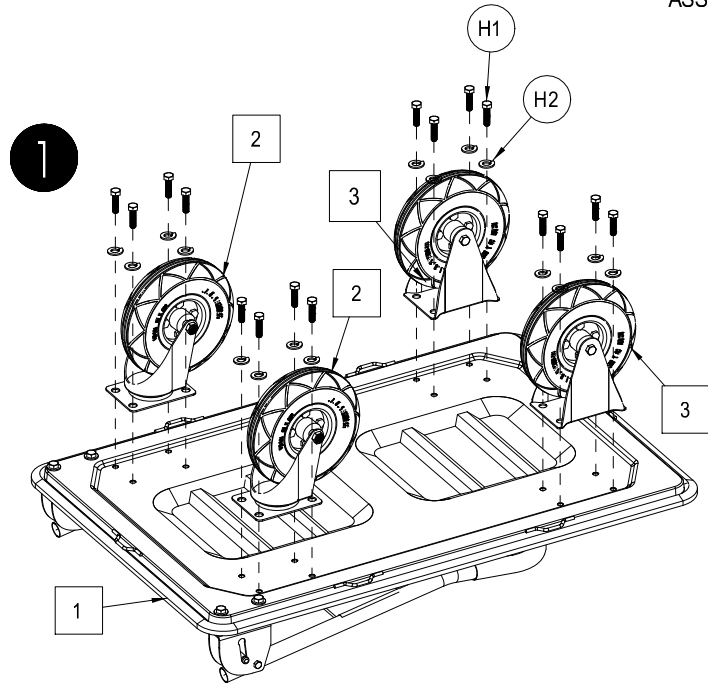
www.globalindustrial.com

1-800-645-2986

FOLDING PLATFORM TRUCK

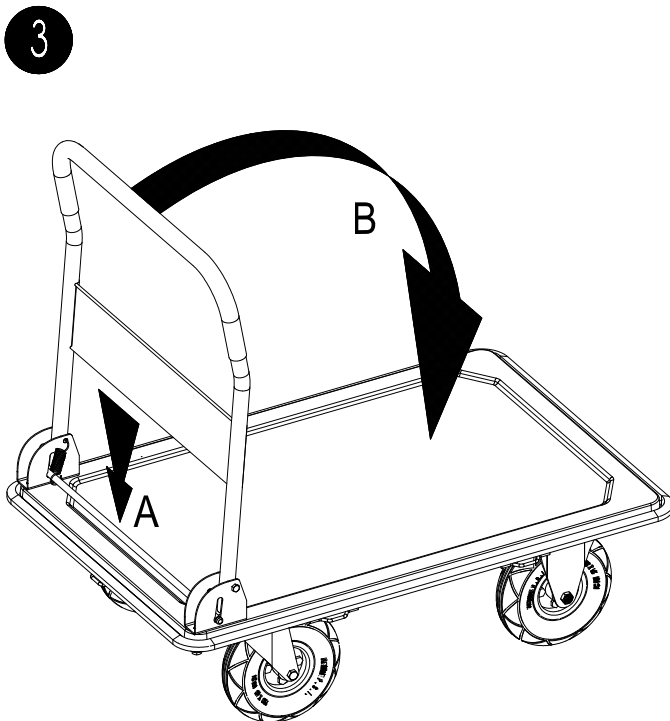
ASSEMBLY INSTRUCTION

CONTENTS		
REF.	QTY.	DESCRIPTION
1	1	PLATFORM
2	2	SWIVEL WHEEL
3	2	RIGID WHEEL
H1	16	M10 x 1.5 HEX HEAD BOLT
H2	16	SPLIT WASHER



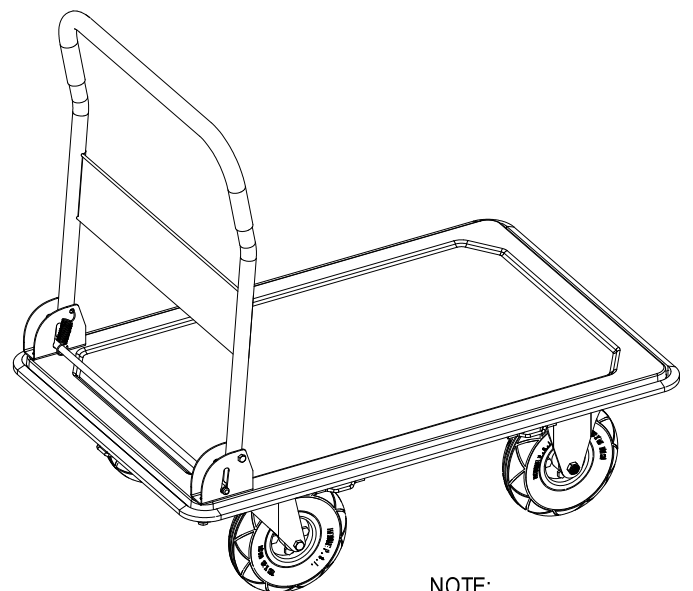
TO RAISE HANDLE

Push down on "A"  
and Pull up on "B"



TO LOWER HANDLE

Push down on "A"  
and Push forward on "B"



NOTE:

Shown with pneumatic wheels