

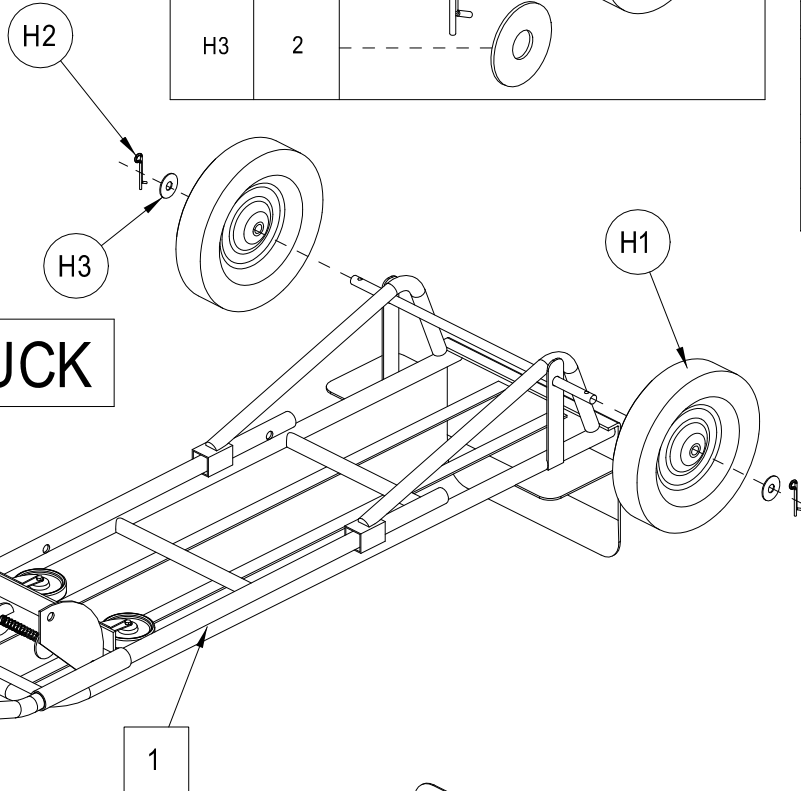
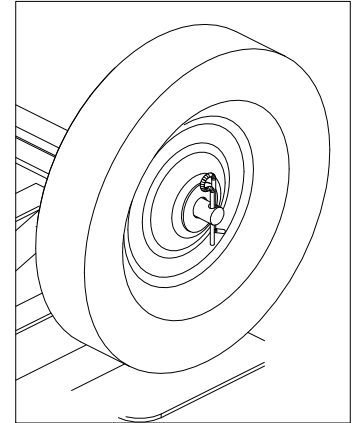
MODEL # 185545  
185546



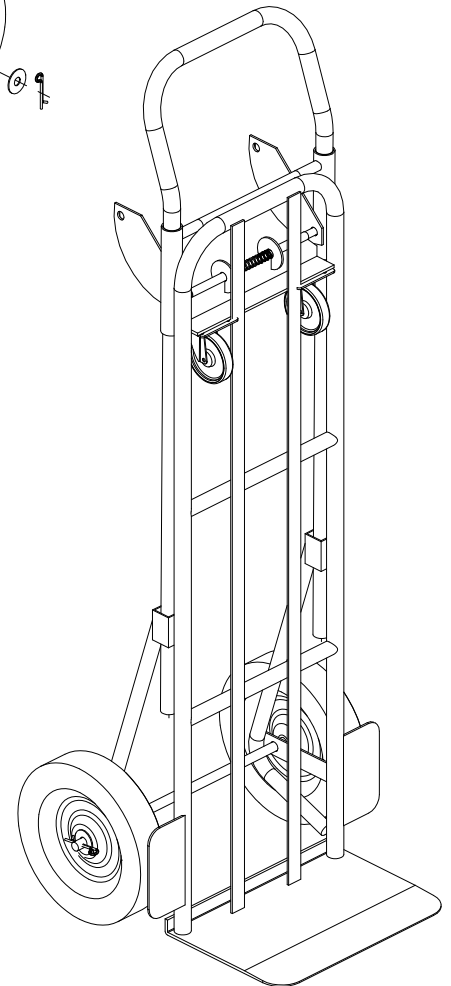
www.globalindustrial.com  
1-800-645-2986

# 2 - 1 HAND TRUCK ASSEMBLY INSTRUCTION

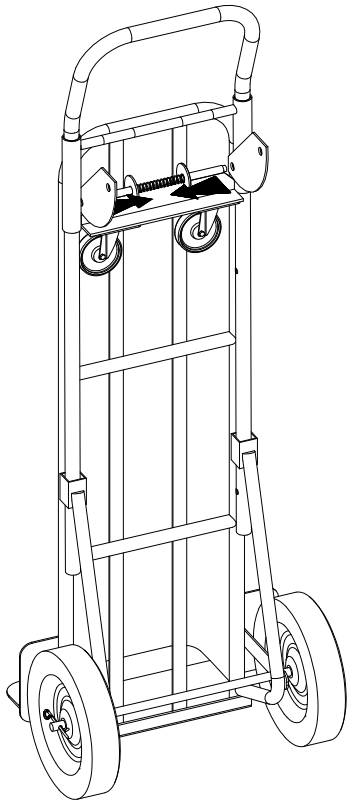
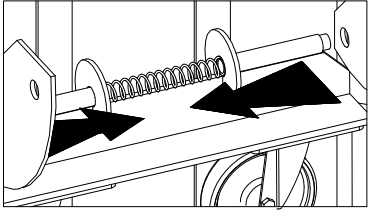
CONTENTS		
REF.	QTY.	DESCRIPTION
1	1	FRAME ASSEMBLY
H1	2	
H2	2	
H3	2	



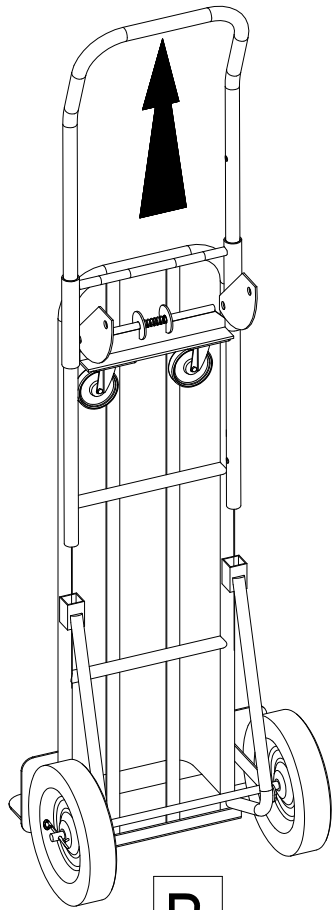
**HAND TRUCK**



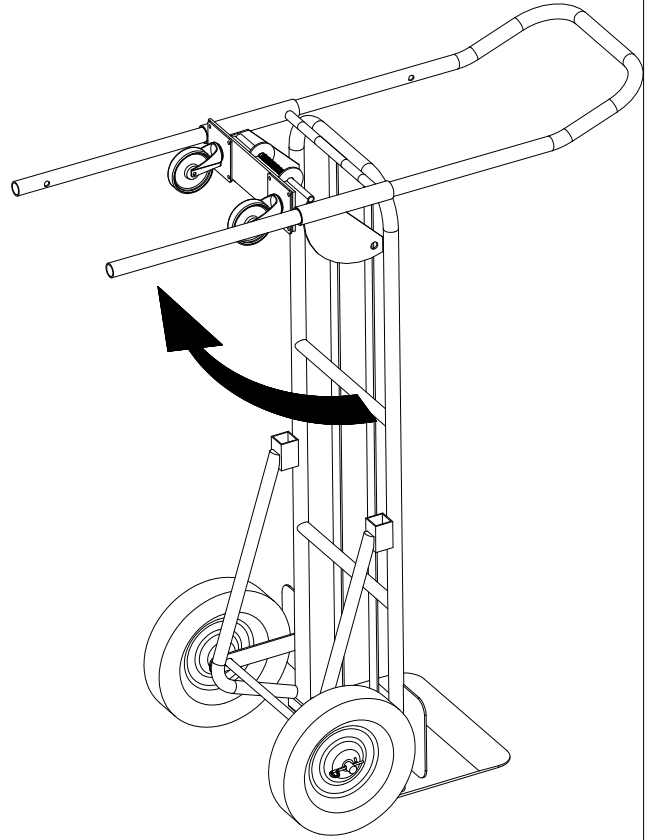
# TO CONVERT TO DECK TRUCK



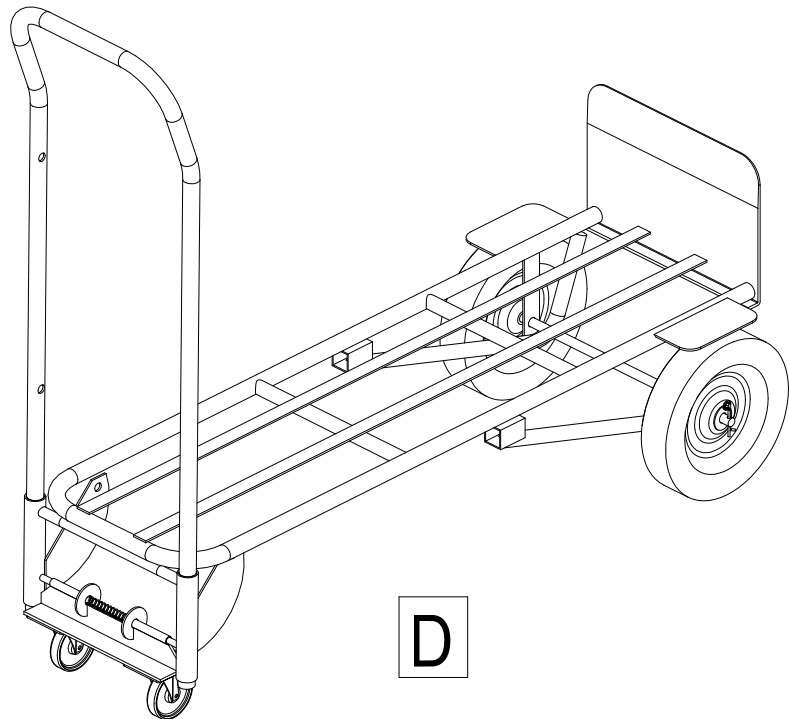
A



B



C



D