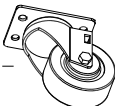
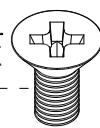
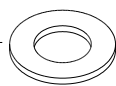
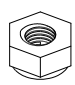


CONTENTS

REF	QTY	DESCRIPTION
1	1	BASE
H1	4	SWIVEL CASTER 
H2	16	M8 x 1.25 x 0.5"L COUNTERSINK PHILLIP HEAD SCREW 
H3	16	WASHER 
H4	16	M8 x 1.25 LOCK NUT 



www.globalindustrial.com

US: 888-628-3466

Canada: 888-645-2986

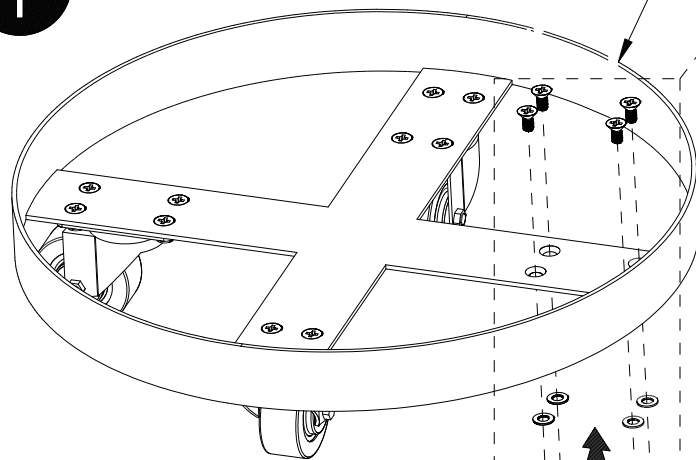
Mexico: 01.800.681.6940

STAINLESS STEEL DRUM DOLLY

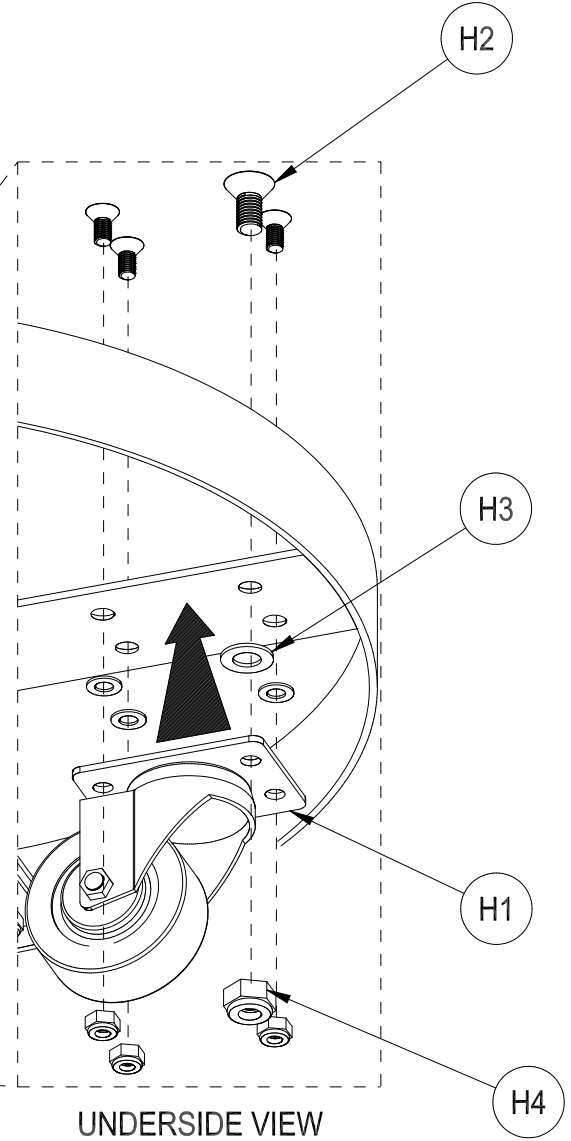
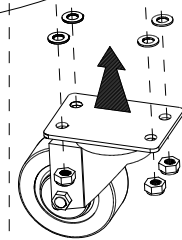
Assembly Instructions

Model # 233881 / 233883

1



Mount casters using
the provided hardware



2

