
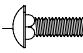


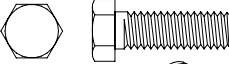



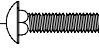

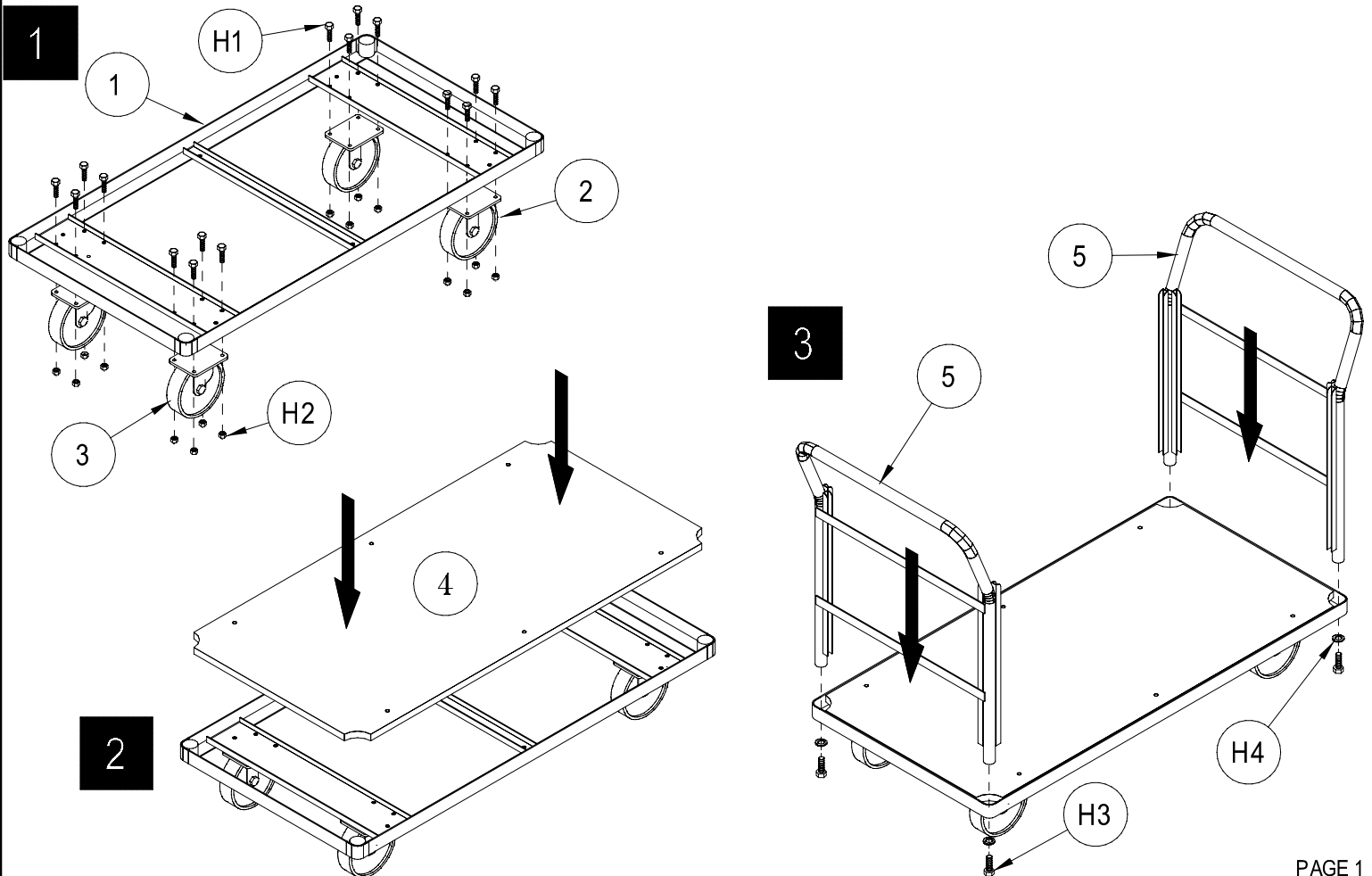
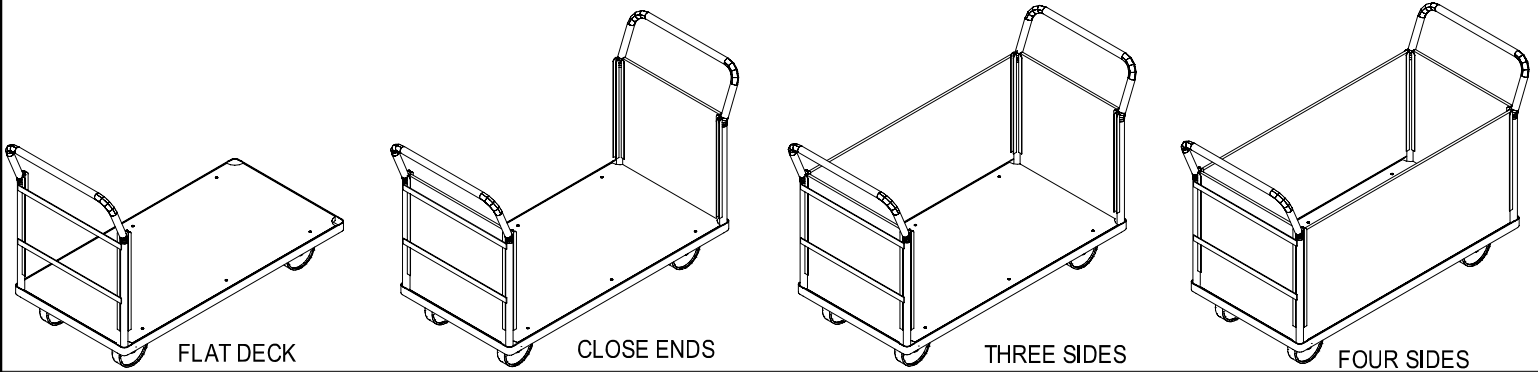
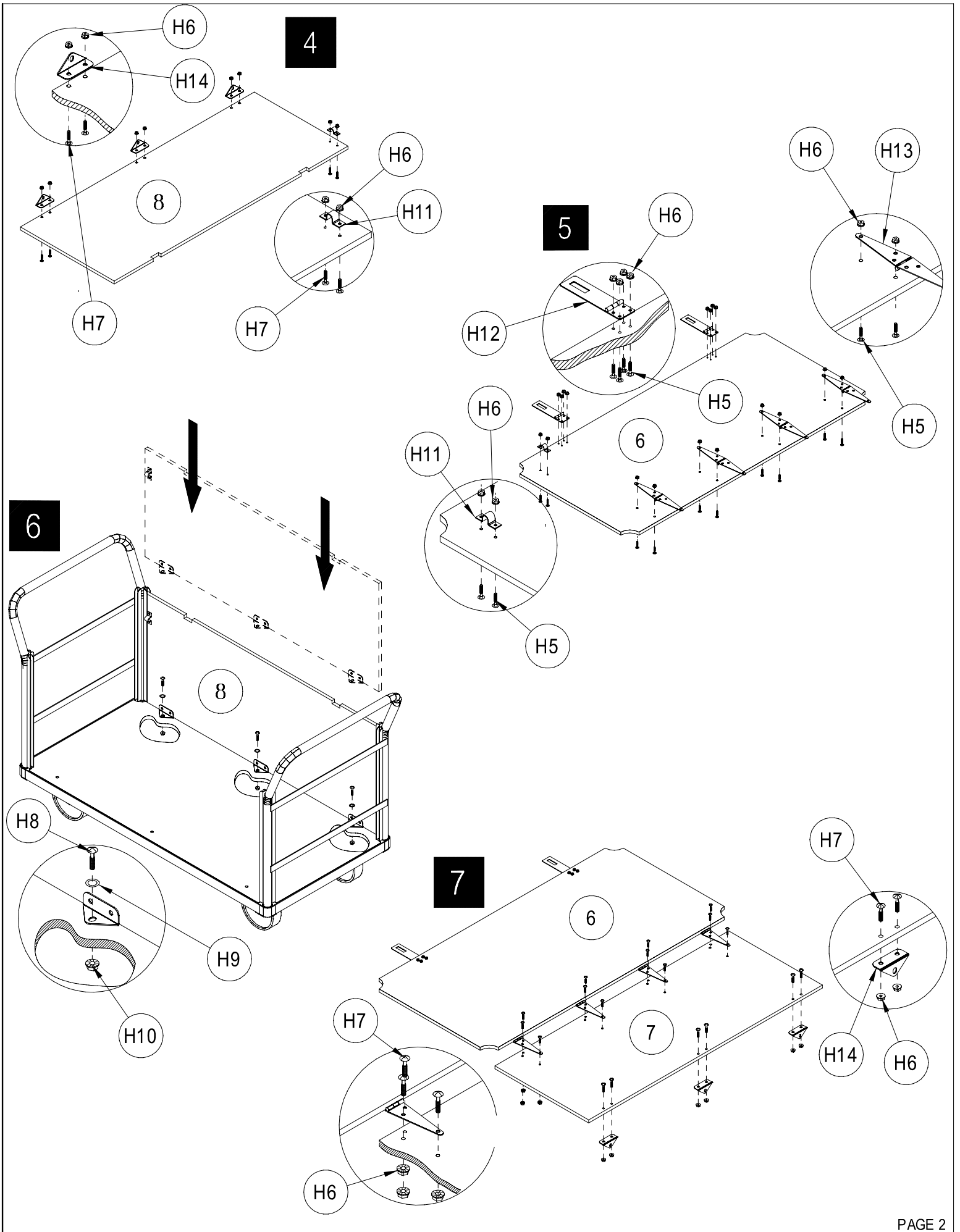


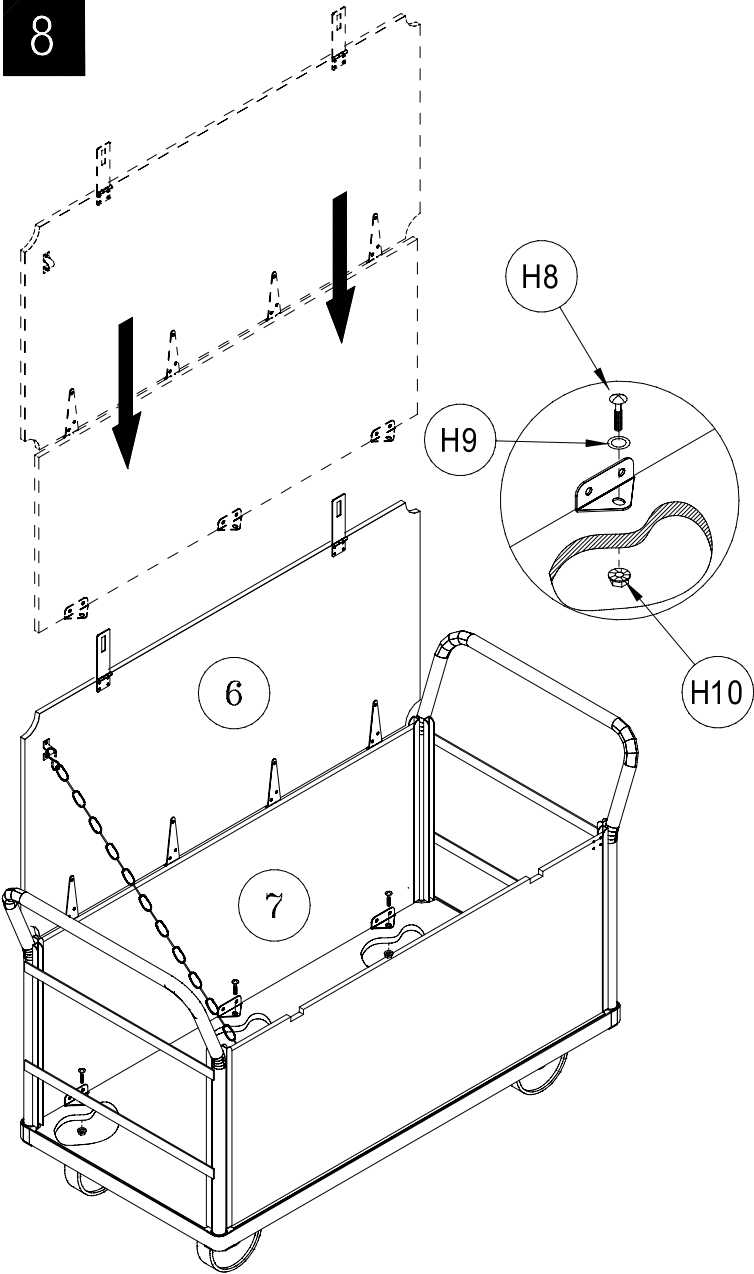
CONTENTS

REF.	QTY.	DESCRIPTION	REF.	QTY.	DESCRIPTION	REF.	QTY.	DESCRIPTION	REF.	QTY.	DESCRIPTION
1	1	FRAME	H1	16		H7	34		H13	4	STRAP HINGE
2	2	RIGID CASTER	H2	16		H8	6		H14	6	HOLD DOWN
3	2	SWIVEL CASTER	H3	4		H9	6		H15	2	HASP STAPLE
4	1	PLYWOOD BASE	H4	4		H10	6		H16	1	CHAIN
5	2	HANDLE	H5	18		H11	2	U-BRACKET			
6	1	COVER	H6	52		H12	2	HASP			
7	1	BACK PANEL									
8	1	FRONT PANEL									
9	2	SIDE PANEL									

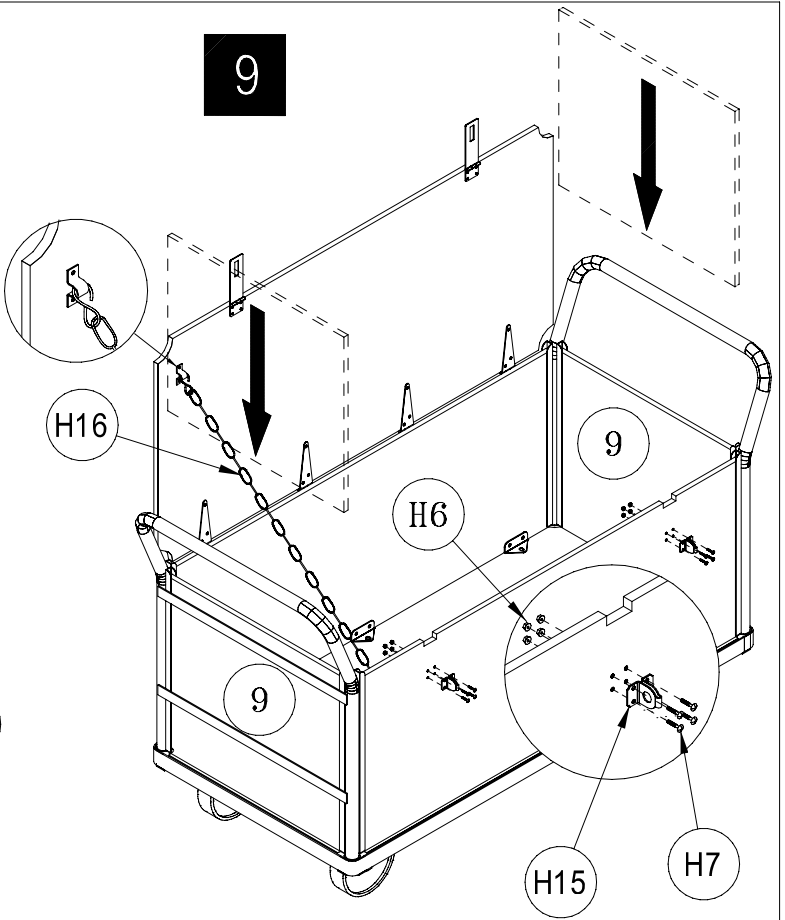




8



9



10

