

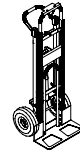
www.globalindustrial.com

1-800-645-2986

3 - in -1 ALUMINUM HAND TRUCK

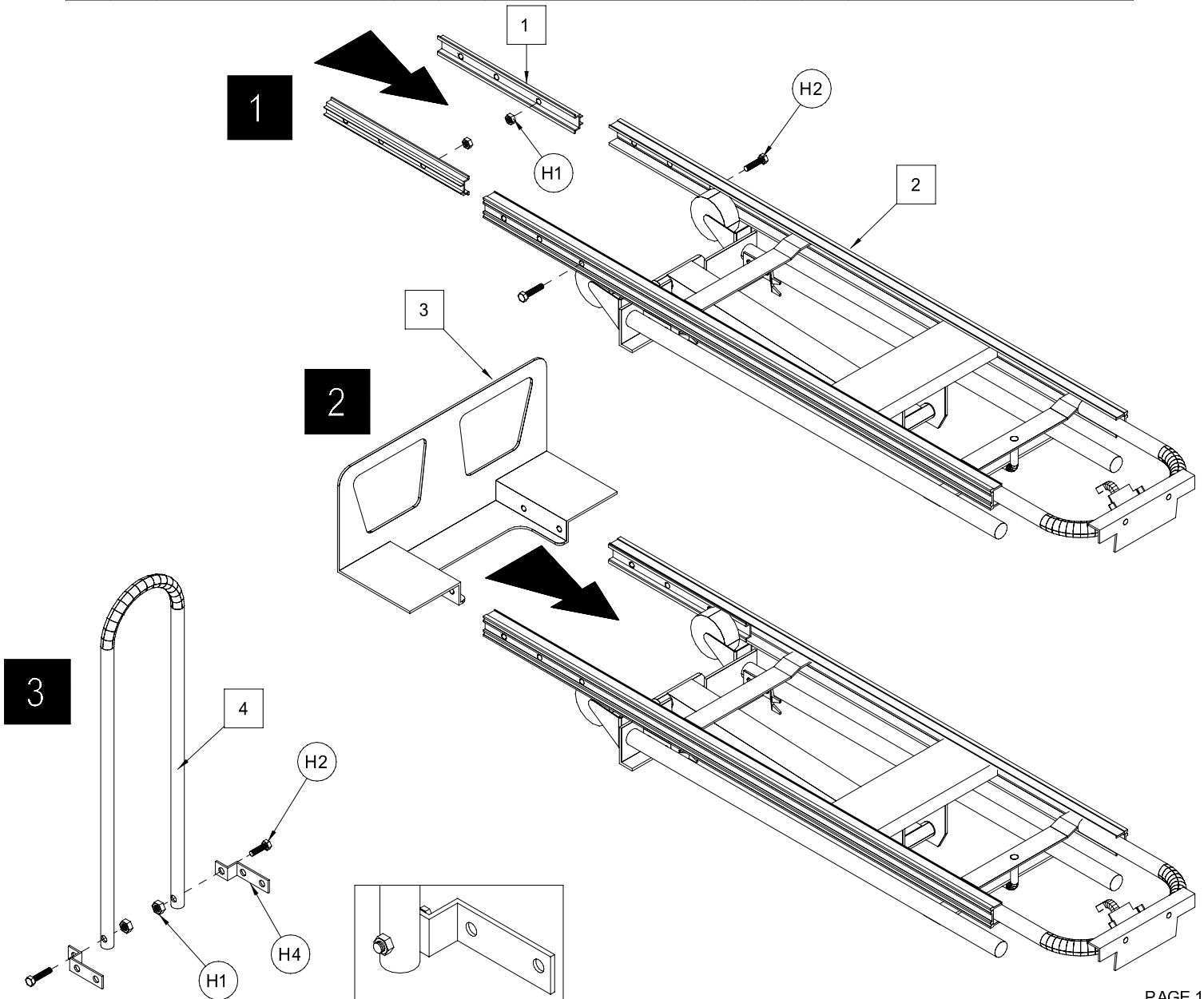
MODEL # 241632

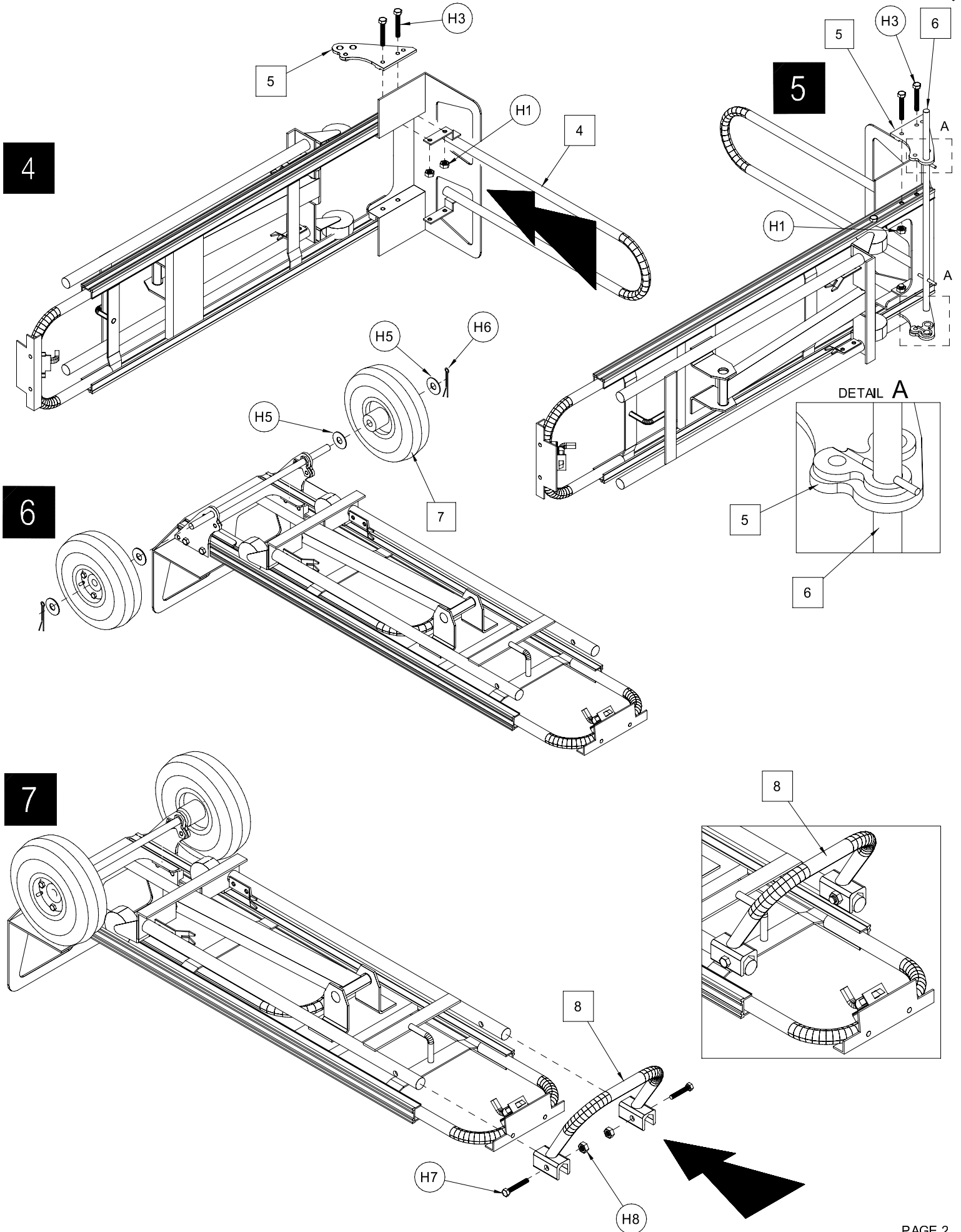
ASSEMBLY INSTRUCTION



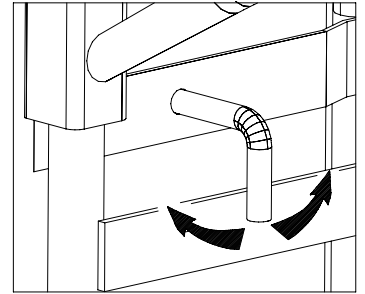
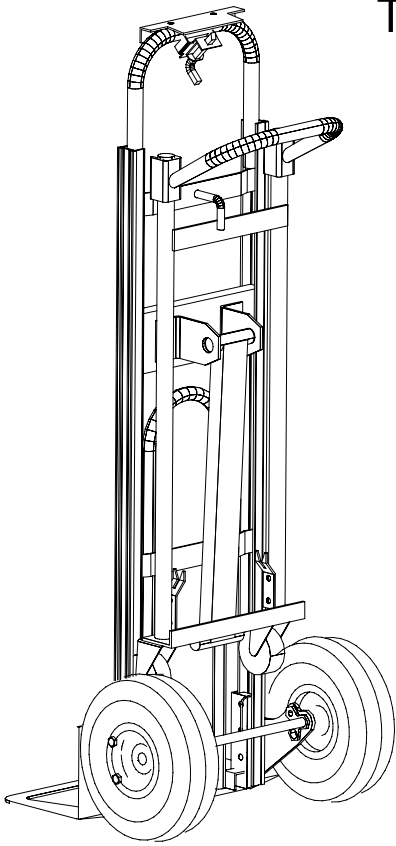
CONTENTS

REF.	QTY.	DESCRIPTION	REF.	QTY.		REF.	QTY.	
1	2	SHIM	H1	8		H5	4	
2	1	FRAME ASSEMBLY				H6	2	
3	1	NOSE PLATE	H2	4		H7	2	
4	1	NOSE	H3	4		H8	2	
5	2	AXLE BRACKET	H4	2				
6	1	AXLE						
7	2	WHEEL						
8	1	HANDLE BAR						

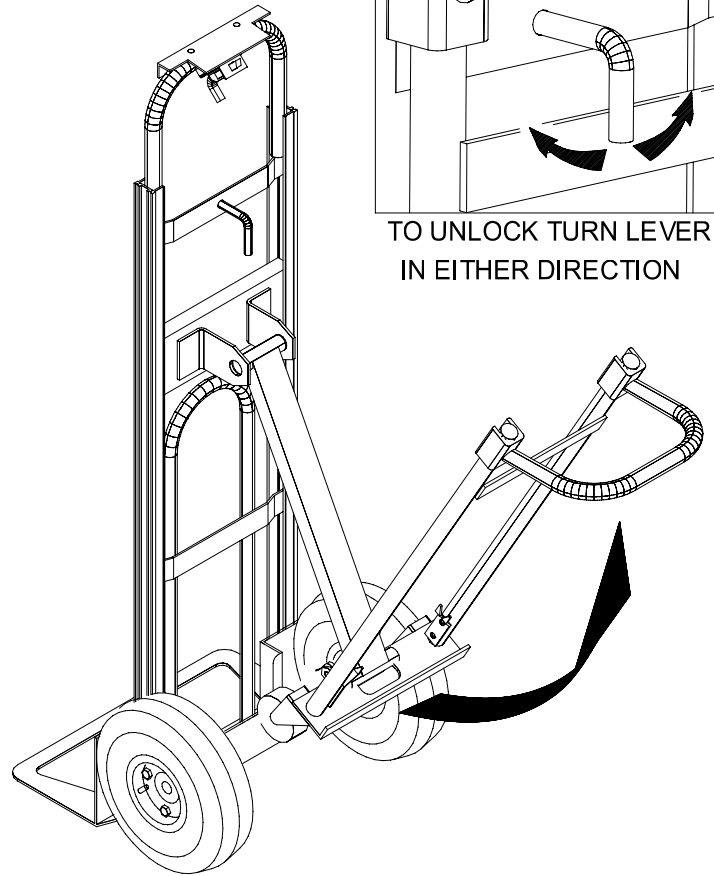




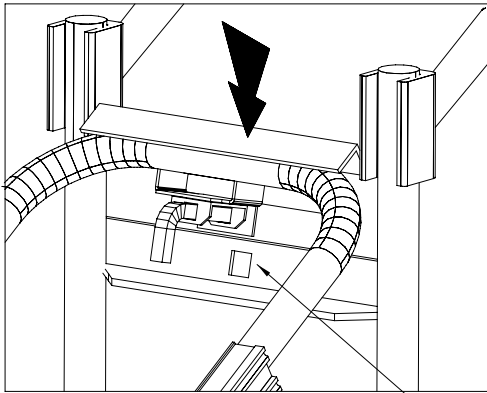
TO CONVERT TO INCLINE TRUCK



TO UNLOCK TURN LEVER
IN EITHER DIRECTION

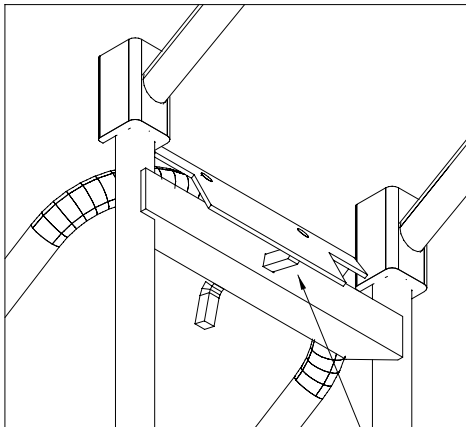


VIEW - A



SEE VIEW A

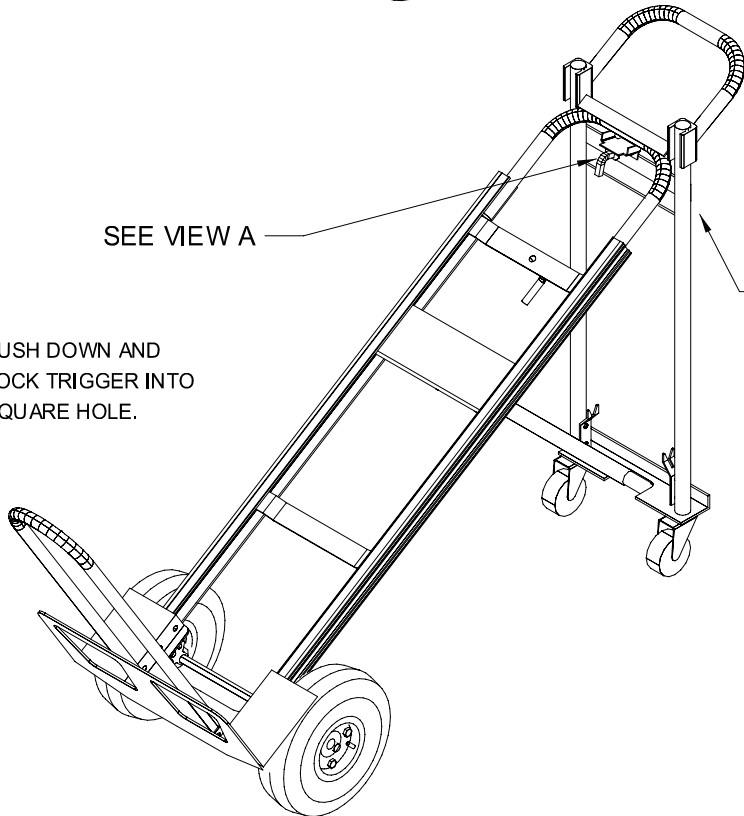
VIEW - B



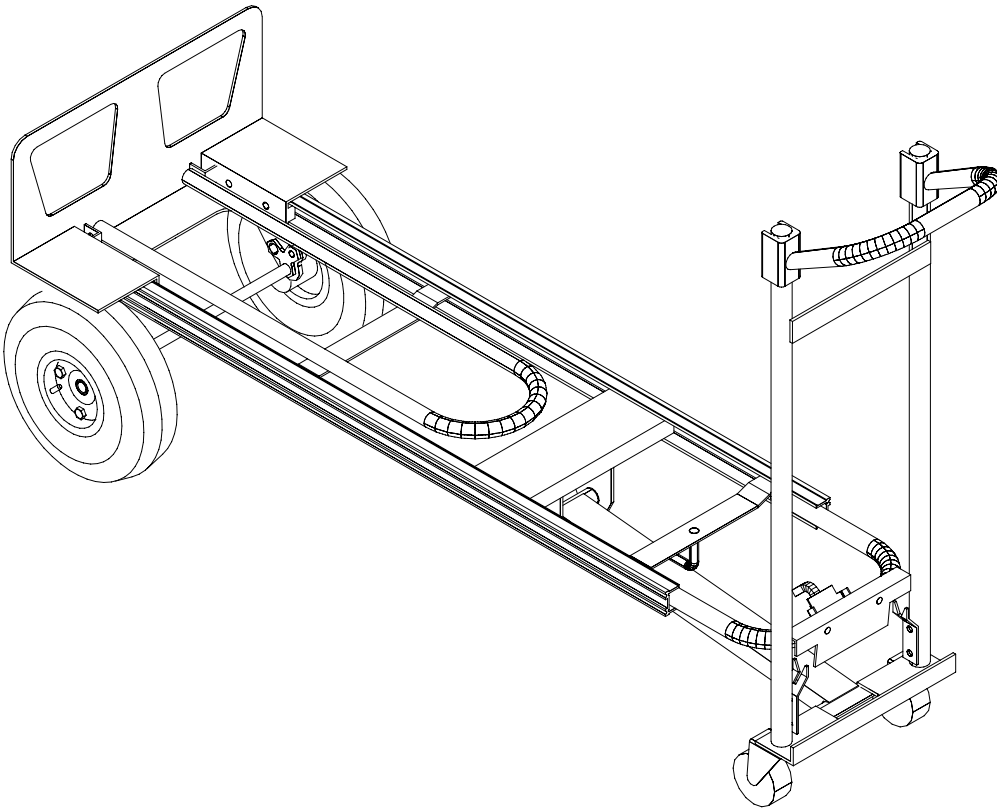
LOCKING
POSITION

PUSH DOWN AND
LOCK TRIGGER INTO
SQUARE HOLE.

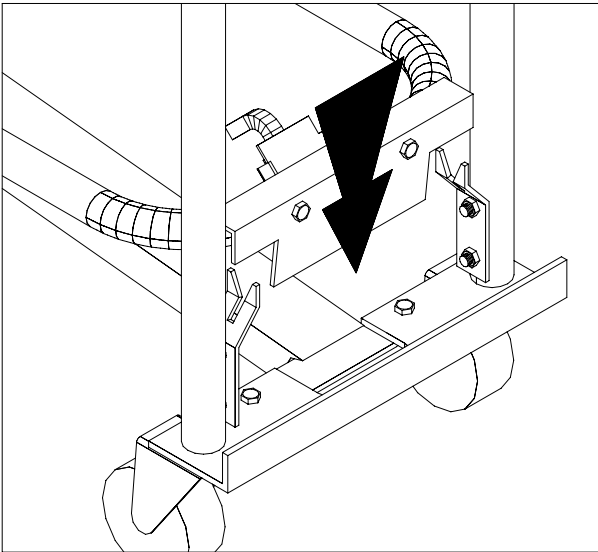
SEE VIEW B



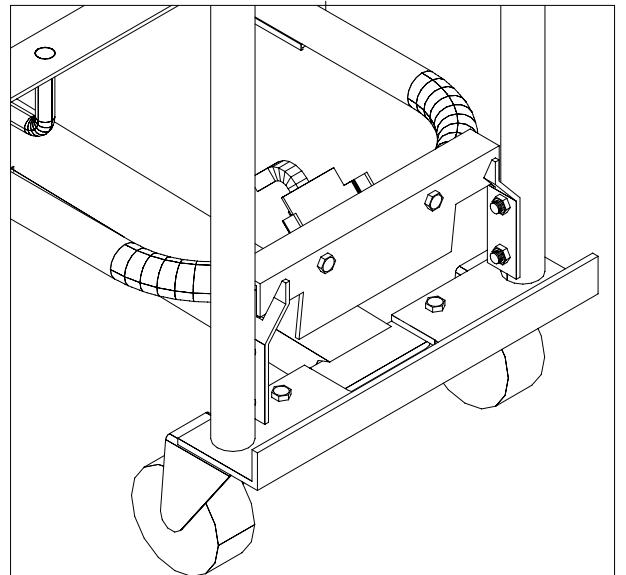
TO CONVERT TO PLATFORM TRUCK



VIEW C



VIEW D



LOCK POSITION