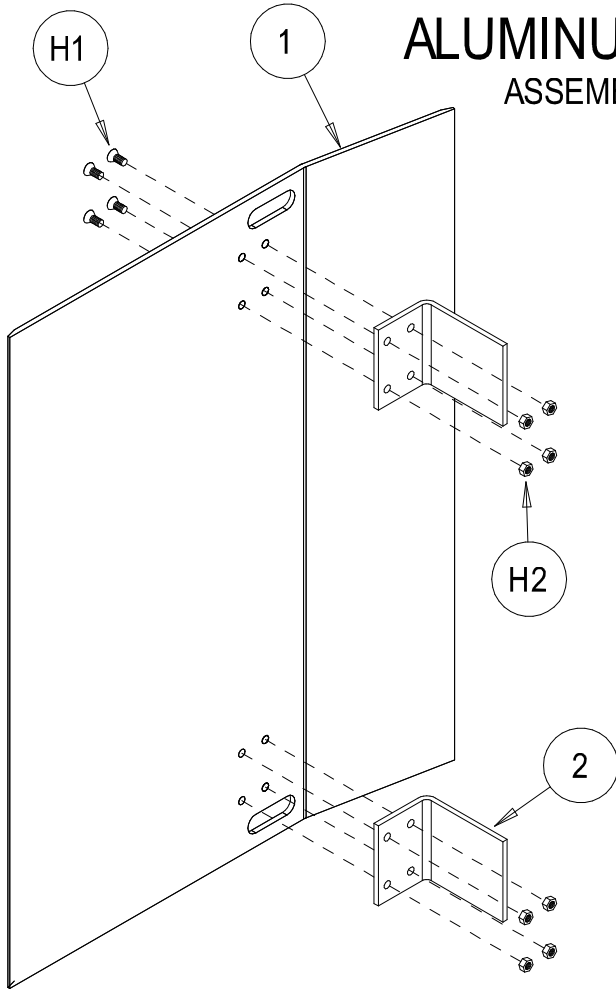


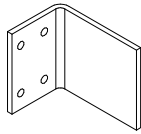
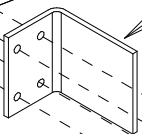
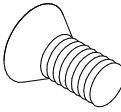
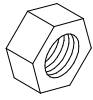


www.globalindustrial.com

1-800-645-2986

ALUMINUM DOCK PLATE ASSEMBLY INSTRUCTION



DESCRIPTION		
REF.	QTY.	CONTENTS
1	1	DOCK PLATE 
2	2	
H1	8	 M12 HEX SOCKET HEAD FLAT COUNTERSUNK CAP SCREW x 45 mm LONG
H2	8	 M12 NYLON INSERT LOCK HEX. NUT

