



www.globalindustrial.com

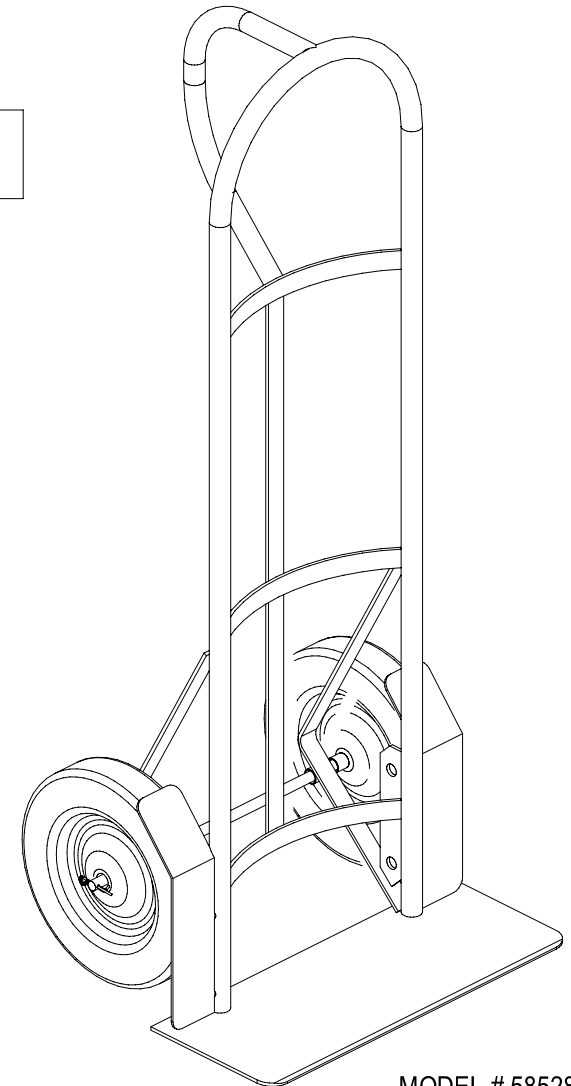
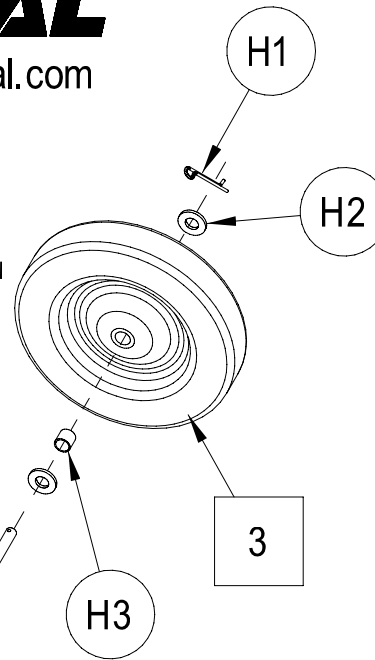
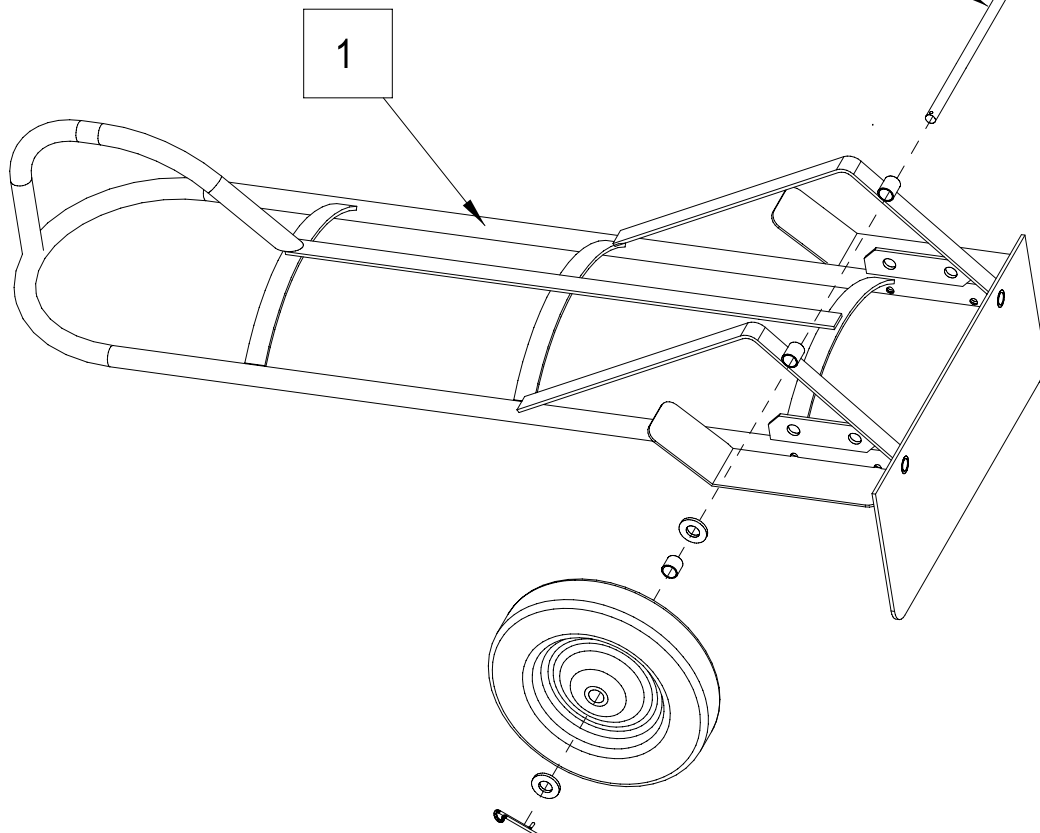
1-800-645-2986

HAND TRUCK

LOOP HANDLE

ASSEMBLY INSTRUCTION

CONTENTS		
REF.	QTY.	DESCRIPTION
1	1	FRAME
2	1	AXLE
3	2	WHEEL
H1	2	COTTER PIN
H2	4	WASHER
H3	2	SPACER



MODEL # 585283