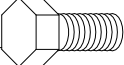


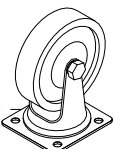


ALUMINUM PLATFORM TRUCK

ASSEMBLY INSTRUCTION

CONTENTS

REF.	QTY.	DESCRIPTION
1	1	----- DECK
2	1	----- HANDLE
H1	16	
H2	16	
H3	16	
H4	2	SWIVEL 
H5	2	RIGID 