

Lean/5S

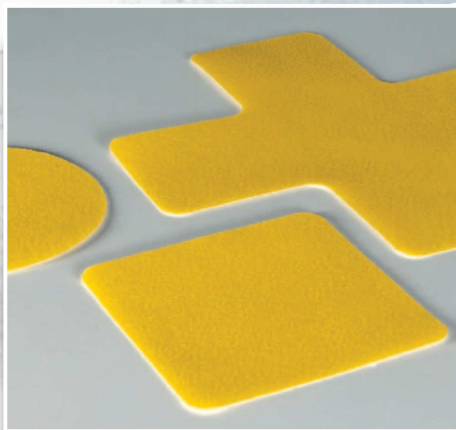
Manufacturing Markers

Our markers are specifically designed for use in "Lean Manufacturing" 5S applications for aiding in floor layout, sorting and workflow.

We have responded to customer feedback and improved the durability of our 5S Lean Manufacturing Markers. These markers are made from a vinyl film with a thick textured anti-slip lamination. This combination provides extended durability and will stand up to heavy pedestrian traffic. The aggressive adhesive backing will work on most clean, dry and smooth floors. Sold 25 pieces per pack.



*New and improved
thicker material
now with a durable
textured surface.*



INCOM

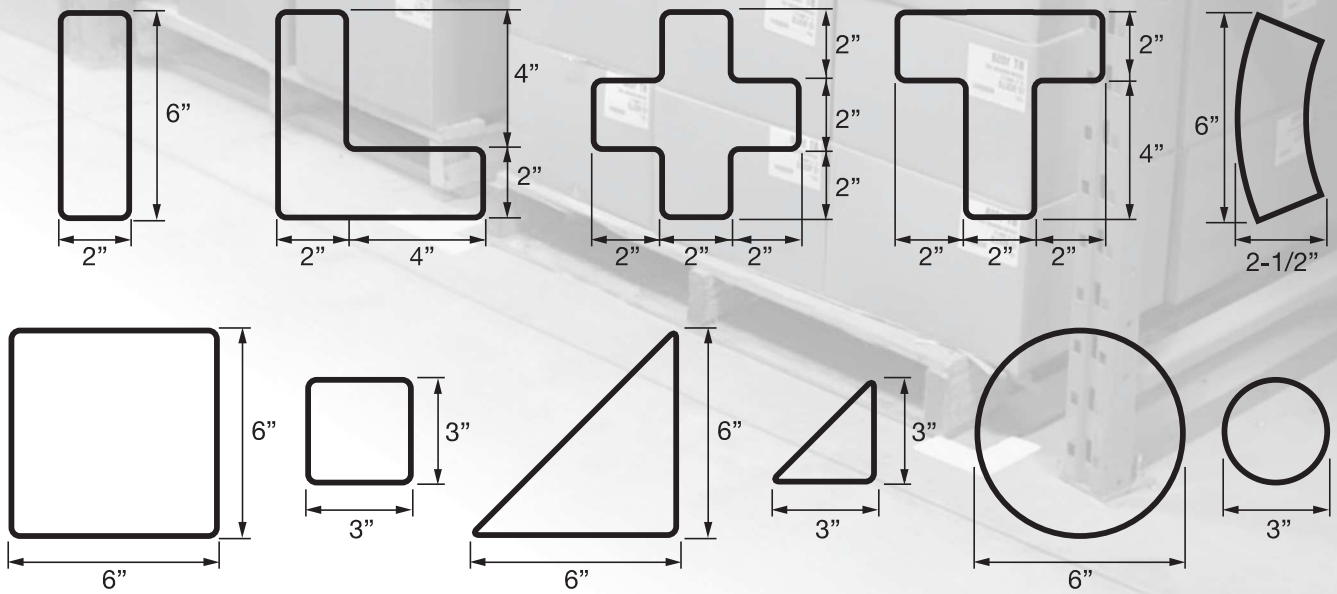
800 263 6238 distributor@incomdirect.com

Lean/5S

Manufacturing
Markers

Shape, Size and
Color Information

Improved Durability
Marking Product Locations
Directing Workflow
Sorting & Organization
Assisting in 5S Compliance
Flexible opaque solid color vinyl
Removable liner to aid in application



Color	I	L	+	T	(6"	3"	▲	▲	● 6"	● 3"
White	LM100W	LM110W	LM120W	LM130W	LM140W	LM150W	LM160W	LM170W	LM180W	LM190W	LM200W
Black	LM100K	LM110K	LM120K	LM130K	LM140K	LM150K	LM160K	LM170K	LM180K	LM190K	LM200K
Yellow	LM100Y	LM110Y	LM120Y	LM130Y	LM140Y	LM150Y	LM160Y	LM170Y	LM180Y	LM190Y	LM200Y
Red	LM100R	LM110R	LM120R	LM130R	LM140R	LM150R	LM160R	LM170R	LM180R	LM190R	LM200R
Blue	LM100B	LM110B	LM120B	LM130B	LM140B	LM150B	LM160B	LM170B	LM180B	LM190B	LM200B
Green	LM100G	LM110G	LM120G	LM130G	LM140G	LM150G	LM160G	LM170G	LM180G	LM190G	LM200G
Orange	LM100N	LM110N	LM120N	LM130N	LM140N	LM150N	LM160N	LM170N	LM180N	LM190N	LM200N