

MODEL # 277440

36" W x 12" D x 42" H

3 OPENINGS





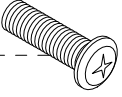
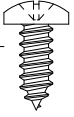
www.globalindustrial.com

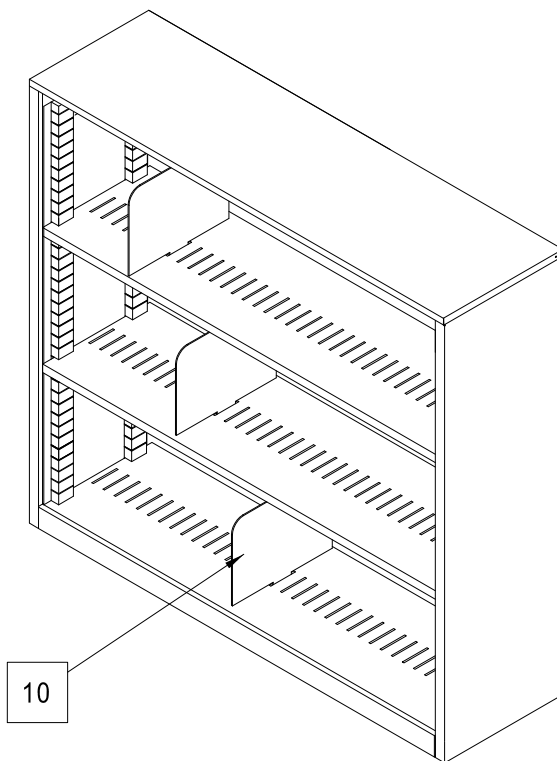
1-800-645-2986

QUICK ADJUST STEEL BOOKCASE

ASSEMBLY INSTRUCTION

CONTENTS

REF.	QTY.	DESCRIPTION	REF.	QTY.	DESCRIPTION
1	1	LEFT SIDE BACK PANEL	H1	4	6.5 PLAIN WASHER 
2	1	RIGHT SIDE BACK PANEL	H2	4	5.25 mm SPLIT WASHER 
3	1	LEFT SIDE PANEL	H3	4	M6 x 19 mm ROUND PHILLIP HEAD SCREW 
4	1	RIGHT SIDE PANEL	H4	26	SHEET METAL SCREW 
5	1	BOTTOM SHELF			
6	4	GUSSET REINFORCEMENT PLATE			
7	1	TOP			
8	2	INNER PANEL			
9	2	SHELF			
10	3	SHELF DIVIDER			



WARNING.

1. LAY PARTS ON SOFT SMOOTH NON-SCRATCH SURFACE.
2. DO NOT OVERLOAD SHELVES.
3. DO NOT CLIMB OR STAND ON SHELVES.

