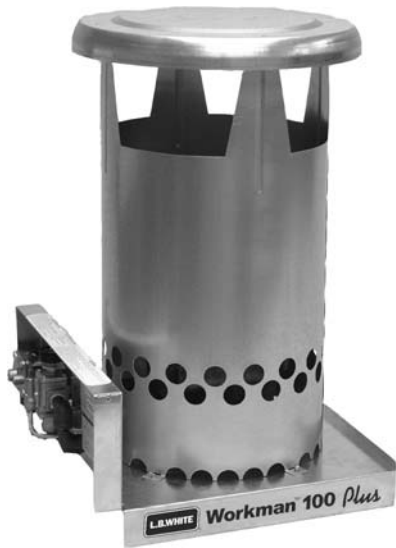




Owner's Manual and Instructions

"Workman" Convection Construction Heaters

View this manual online at www.lbwhite.com



MODELS	OUTPUT (Btuh)	FUEL
CV100N	100,000	Natural Gas

Certification by:



SCAN THIS QR CODE

with your smartphone or visit <http://goo.gl/nvneR> to view maintenance videos for L.B.White heaters.*



*Requires an app like QR Droid for Android or QR Reader for iPhone.

Congratulations!

You have purchased the finest convection heater available.

Your new L.B. White heater incorporates the benefits from the most experienced manufacturer of heating products using state-of-the-art technology.

We, at L.B. White, **thank you** for your confidence in our products and welcome any suggestions or comments you may have...call us, toll-free, at (800) 345-7200.

ATTENTION ALL USERS

This heater has been tested and evaluated by C.S.A. International in accordance with Standard ANSI Z83.7• CSA 2.14 and is listed and approved as a direct fired vertical convection construction heater for use on combustible floors. This heater is intended for use as a portable, temporary heater for buildings under construction, alteration, or repair. If you are considering using this product for any application other than its intended use, then please contact your fuel gas supplier, or the L.B. White Co., Inc.



World Provider - Innovative Heating Solutions

411 Mason Street, Onalaska, WI 54650 ■ (800) 345 7200 ■ (608) 783 5691 ■ (608) 783 6115, fax ■ www.lbwhite.com

150-29466 REV.B



GENERAL HAZARD WARNING

- Failure to comply with the precautions and instructions provided with this heater, can result in:
 - Death
 - Serious bodily injury or burns
 - Property damage or loss from fire or explosion
 - Asphyxiation due to lack of adequate air supply or carbon monoxide poisoning
 - Electrical shock
- Read this Owner's Manual before installing or using this product.
- Only properly-trained service people should repair or install this heater.
- Save this Owner's Manual for future use and reference.
- Owner's Manuals and replacement labels are available at no charge. For assistance, contact L.B. White at 800-345-7200.



WARNING

- Proper gas supply pressure must be provided to the inlet of the heater.
- Refer to data plate for proper gas supply pressure.
- Gas pressure in excess of the maximum inlet pressure specified at the heater inlet can cause fires or explosions.
- Fires or explosions can lead to serious injury, death, or building damage.
- Gas pressure below the minimum inlet pressure specified at the heater inlet may cause improper combustion.
- Improper combustion can lead to asphyxiation or carbon monoxide poisoning and therefore serious injury or death.



WARNING

Fire and Explosion Hazard

- Not for home or recreational vehicle use.
- Installation of this heater in a home or recreational vehicle may result in a fire or explosion.
- Fire or explosions can cause property damage or loss of life.

FOR YOUR SAFETY

Do not store or use gasoline or other flammable vapors and liquids in the vicinity of this or any other appliance.

FOR YOUR SAFETY

- If you smell gas:
1. Open windows.
 2. Don't touch electrical switches.
 3. Extinguish any open flame.
 4. Immediately call your gas supplier.



WARNING

Fire and Explosion Hazard

- Keep solid combustibles a safe distance away from the heater.
- Solid combustibles include wood or paper products, building materials, and dust.
- Do not use the heater in spaces which contain or may contain volatile or airborne combustibles.
- Volatile or airborne combustibles include gasoline, solvents, paint thinner, dust particles or unknown chemicals.
- Failure to follow these instructions may result in a fire or explosion.
- Fire or explosions can lead to property damage, personal injury or loss of life.



SECTION	PAGE
General Information	3
Heater Specifications	4
Safety Precautions	5
Installation Instructions	
General	7
Start-Up Instructions	9
Shut-Down Instructions	9
Cleaning Instructions	10
Maintenance Instructions	10
Service Instructions	
Gas Pressure Checks	11
Pilot Assembly	12
Igniter and Electrode	13
Burner Orifice	13
Troubleshooting	14
Heater Component Function	15
Parts Identification	
Parts Schematic	16
Parts List	17
Warranty Policy	18
Replacement Parts and Service	18

General Information

This Owner's Manual includes all options and accessories commonly used on this heater. However, depending on the configuration purchased, some options and accessories may not be included.

When calling for technical service assistance, or for other specific information, always have model number, configuration number and serial number available. This information is contained on the dataplate. The dataplate is located on the interior of either the burner end or motor end door.

This manual will instruct you in the operation and care of your unit. Have your qualified installer review this manual with you so that you fully understand the heater and how it functions.

The gas supply line installation, installation of the heater, and repair and servicing of the heater requires continuing expert training and knowledge of gas heaters and should not be attempted by anyone who is not so qualified. See page 6 for definition of the necessary qualifications.

Contact your local L.B. White distributor or the L.B. White Co., Inc. for assistance, or if you have any questions about the use of the equipment or its application.

The L.B. White Co., Inc. has a policy of continuous product improvement. It reserves the right to change specifications and design without notice.

Heater Specifications

SPECIFICATIONS		Model
Fuel		CV100
Maximum Input (BTUH)		Natural Gas
Inlet Gas Supply Pressure Acceptable at the Inlet of the Heater for Purpose of Input Adjustment (in. W.C.)	MAX.	100,000
	MIN.	13.5 7
Burner Manifold Pressure (in. W.C.)		5.1
Fuel Consumption Per Hour		100 cu. ft.
Dimensions (Inches) L x W x H		16 1/2 x 15 x 25
Minimum Safe Distances From Nearest Combustible Materials	TOP	5 ft.
	SIDES	3 ft.
	GAS SUPPLY	N/A
Minimum ambient temperature in which heater may be operated.		32° F

Safety Precautions

WARNING **Asphyxiation Hazard**

- Do not use this heater for heating human living quarters.
- Do not use in unventilated areas.
- The flow of combustion and ventilation air must not be obstructed.
- Proper ventilation air must be provided to support the combustion air requirements of the heater being used.
- Lack of proper ventilation air will lead to improper combustion.
- Improper combustion can lead to carbon monoxide poisoning leading to serious injury or death. Symptoms of carbon monoxide poisoning can include headaches, dizziness and difficulty in breathing.
- Proper ventilation air for combustion must be provided in accordance with OSHA 29 CFR 1926.154, Temporary Heating Device, ANSI A10.10, Safety Requirements for Temporary and Portable Space Heating Devices, or the Natural Gas and Propane Installation Code, CAN/CSA B149.1 as appropriate.

FUEL GAS ODOR

Natural gas has a man-made odorant added specifically for detection of fuel gas leaks. If a gas leak occurs, you should be able to smell the fuel gas. **THAT'S YOUR SIGNAL TO GO INTO IMMEDIATE ACTION!**

- Do not take any action that could ignite the fuel gas. Do not operate any electrical switches. Do not pull any power supply or extension cords. Do not light matches or any other source of flame. Do not use your telephone.
- Get everyone out of the building and away from the area immediately.
- Close all fuel supply valves or the main fuel supply valve located at the meter.
- Natural gas is lighter than air and can collect around rafters or ceilings.
- Use your neighbor's phone and call your fuel gas supplier and your fire department. Do not re-enter the building or area.
- Stay out of the building and away from the area until declared safe by the firefighters and your fuel gas supplier.
- **FINALLY**, let the fuel gas service person and the firefighters check for escaped gas. Have them air out the building and area before you return. Properly trained service people must repair the leak, check for further leakages, and then relight the appliance for you.

ODOR FADING -- NO ODOR DETECTED

- **Some people cannot smell well. Some people cannot smell the odor of the man-made chemical added to natural gas. You must determine if you can smell the odorant in this fuel gas.**
- Learn to recognize the odor of natural gas. Your local natural gas supplier (utility) will be more than happy to give you a "scratch and sniff" pamphlet. Use it to become familiar with the fuel gas odor.
- Smoking can decrease your ability to smell. Being around an odor for a period of time can affect your sensitivity to that particular odor.
- The odorant in natural gas is colorless and the intensity of its odor can fade under some circumstances.
- If there is an underground leak, the movement of gas through the soil can filter the odorant.
- **Always be sensitive to the slightest gas odor.** If you continue to detect any gas odor, no matter how small, treat it as a serious leak. Immediately go into action as discussed previously.

ATTENTION -- CRITICAL POINTS TO REMEMBER!

- Natural gas has a distinctive odor. Learn to recognize this odor. (Reference "Fuel Gas Odor" and "Odor Fading" sections above.)
- If you have not been properly trained in repair and service of natural gas fueled heaters, then do not attempt to light heater, perform service or repairs, or make any adjustments to the heater on the natural gas fuel system.
- Even if you are not properly trained in the service and repair of the heater, ALWAYS be consciously aware of the odors of propane gas and natural gas.
- A periodic sniff test around the heater or at the heater's joints; i.e. hose, connections, etc., is a good safety practice under any conditions. If you smell even a small amount of gas, CONTACT YOUR FUEL GAS SUPPLIER IMMEDIATELY. DO NOT WAIT!

1. Do not attempt to install, repair, or service this heater or the gas supply line unless you have continuing expert training and knowledge of gas heaters.

Qualifications for service and installation of this equipment are as follows:

- a. To be a qualified gas heater service person, you must have sufficient training and experience to handle all aspects of gas-fired heater installation, service and repair. This includes the task of installation, troubleshooting, replacement of defective parts and testing of the heater. You must be able to place the heater into a continuing safe and normal operating condition. You must completely familiarize yourself with each model heater by reading and complying with the safety instructions, labels, Owner's Manual, etc., that is provided with each heater.
 - b. To be a qualified gas installation person, you must have sufficient training and experience to handle all aspects of installing, repairing and altering gas lines, including selecting and installing the proper equipment, and selecting proper pipe and tank size to be used. This must be done in accordance with all local, state and national codes as well as the manufacturer's requirements.
 - c. In the Commonwealth of Massachusetts, this product must be installed by a gas fitter licensed by the Commonwealth of Massachusetts.
2. All installations and applications of L.B. White heaters must meet all relevant local, state and national codes. Included are natural gas, electrical, and safety codes. Your local fuel gas supplier, a local licensed electrician, the local fire department or similar government agencies, or your insurance agent can help you determine code requirements.

Also refer to:

- ANSI Z223.1/NFPA 54, National Fuel Gas Code
- ANSI A10.10 American National Standards Safety Requirements for Temporary and Portable Space Heating Devices and Equipment Used in the Construction Industry.

3. We cannot anticipate every use which may be made of our heater. Check with your local fire safety authority if you have questions about applications.

4. Other standards govern the use of fuel gases and heat producing products in specific applications. Your local authority can advise you about these.
5. Use only compressed air, soft brush or dry cloth to clean the interior of the heater and it's components.
6. The heater shall be installed so that it is not directly exposed to water spray, rain, or dripping water.
7. Do not locate fuel gas containers or fuel supply hoses anywhere near the discharge outlet of the heater.
8. Do not block air intakes or discharge outlets of the heater. Doing so may cause improper combustion or damage to heater components leading to property damage.
9. The hose assembly shall be visually inspected on a daily basis after relocation and when in use. If it is evident there is excessive abrasion or wear, or if the hose is cut, it must be replaced prior to the heater being put into operation. The hose assembly shall be protected building materials, and contact with hot surfaces during use. The hose assembly shall be that specified by the manufacturer. See parts list.
10. Check for gas leaks and proper function upon heater installation or when relocating. Refer to leak check instructions within the installation section of this owner manual.
11. This heater should be inspected for proper operation by a qualified service person before each use and at least annually.
12. Always turn off the gas supply to the heater if the heater is not going to be used in the heating of the work space.
13. If gas flow is interrupted and flame goes out, do not relight the heater until you are sure that all gas that may have accumulated has cleaned away. In any event, do not relight the heater for at least 5 minutes.
14. When the heater is connected to the natural gas supply the heater must connect dimensionally using American National Standard Wrought Steel and Wrought Iron Pipe B36/10-1970. If corrugated metal tubing, other such flexible connections or quick connectors are utilized, they must be appropriately approved for use with natural gas. Aluminum piping or tubing shall not be used. If copper tubing is utilized with natural gas, it shall be internally tinned or equivalently treated to resist sulphur

Installation Instructions

GENERAL

 **WARNING**
Fire or explosion hazard.

Can cause property damage, severe injury or death.

1. To avoid dangerous accumulation of fuel gas, turn off the gas supply at the heater service valve before starting installation, and perform gas leak test after completion of installation.
2. Do not force the gas control pilot button. Use only normal hand pressure to depress the pilot button. Never use any tools. If the button will not operate by normal hand pressure, the control should be replaced by a qualified service technician. Force or attempted repair may result in fire or explosion.

1. Read all safety precautions and follow L. B. White recommendations when installing this heater. If during the installation or relocating of heater, you suspect that a part is damaged or defective, call a qualified service agency for repair or replacement.
2. Position heater properly before use. The heater must be installed on a level, flat, horizontal and stable surface when hot or in operation and according to minimum clearances from combustible surfaces such as walls, floor or ceilings. Do not place combustible materials within this zone of clearance. Minimum safe distances are as follows:

	CV100
Top to Ceiling	5 ft.
All Sides	3 ft.

3. Position the heater and its gas supply hose so as to protect heater and its gas supply hose from traffic. Protect hoses with a shielding device of suitable nature to protect the hose from traffic and movement or other construction equipment.
4. The heater is approved for indoor use only.
5. The heater's gas pressure regulator (with pressure relief valve) must be protected from adverse weather conditions (rain, ice, snow) as well as from building materials (tar, concrete, plaster, etc.) which can affect safe operation and could result in property damage or injury.
6. Heaters used in the vicinity of combustible tarpaulins, canvas, plastics, wind barriers, or similar coverings shall be located at least 10 feet from the coverings. The coverings shall be securely fastened to prevent ignition or upsetting of the heater due to wind action on the covering or other material.

7. Check all connections for gas leaks using approved gas leak detectors. Gas leak testing is performed as follows:

 **WARNING**
Fire and Explosion Hazard

- Do not use open flame (matches, torches, candles, etc.) in checking for gas leaks.
- Use only approved leak detectors.
- Failure to follow this warning can lead to fires or explosions.
- Fires or explosions can lead to property damage, personal injury or loss of life.

- Check all pipe connections, hose connections, fittings and adapters upstream of the gas control with approved gas leak detectors.
- In the event a gas leak is detected, check the components involved for cleanliness and proper application of pipe compound before further tightening.
- Furthermore tighten the gas connections as necessary to stop the leak.
- After all connections are checked and any leaks are stopped, turn on the main burner.
- Stand clear while the main burner ignites to prevent injury caused from hidden leaks that could cause flashback.
- With the main burner in operation, check all connections, hose connections, fittings and joints as well as the gas control valve inlet and outlet connections with approved gas leak detectors.
- If a leak is detected, check the components involved for cleanliness in the thread areas and proper application of pipe compound before further tightening.
- Tighten the gas connection as necessary to stop the leak.
- If necessary, replace the parts or components involved if the leak cannot be stopped.
- Ensure all gas leaks have been identified and repaired before proceeding.

8. A qualified service agency must check for proper operating gas pressure upon installation of the heater.
9. Light according to instructions on heater or within owner's manual.

-
10. Make sure the heater has the proper gas regulator for the application. A regulator must be connected to the gas supply so that gas pressure at the inlet to the gas valve is regulated within the range specified on the dataplate at all times. Contact your gas supplier, or the L.B. White Co., Inc. if you have any questions.
 11. This heater is configured for use for natural gas only. Consult the heater's dataplate for the gas configuration of the heater. Do not use the heater in a propane gas system or application. If you are in doubt, contact the L.B. White Co., Inc.
 12. Take time to understand how to operate and maintain the heater by using this Owner's Manual. Make sure you know how to shut off the gas supply to the building and also to the individual heater. Contact your fuel gas supplier if you have any questions.
 13. Any defects found in performing any of the service or maintenance procedures must be eliminated and defective parts replaced immediately. The heater must be retested by properly qualified service personnel before placing the heater back into use.

Start-Up Instructions

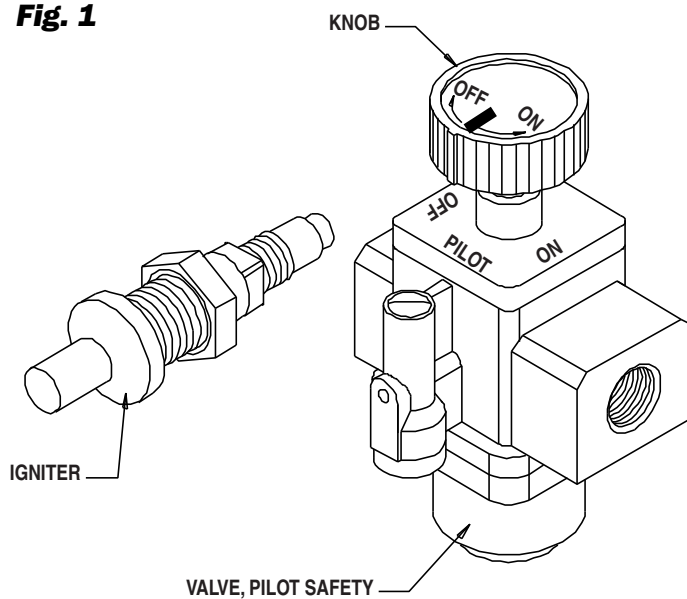


WARNING Burn Hazard

- Close the manual main burner valve before lighting the pilot.
- Failure to do so will result in the main burner igniting when the pilot is being lit.
- Serious injury or death due to burns may occur.

1. Open the fuel supply valve to the heater.
2. Position indicator on knob of pilot safety control to pilot.

Fig. 1



3. Fully depress knob on valve while pushing igniter button.

ATTENTION

On new installations it may take a short time for gas to purge out any air in the pilot line before the pilot stays lit.

4. Keep the pilot knob depressed for about 30 seconds to allow the thermocouple to warmup so the pilot stays lit after the pilot knob is released.
5. When pilot remains lit, position knob to on. Main burner will light.

Shut-Down Instructions

1. Close all fuel supply valves.
2. Allow the heater to burn off any fuel gas remaining on the gas supply line.
3. Depress the knob slightly while turning knob to OFF position.
4. Disconnect the heater from its gas supply.

Cleaning Instructions



WARNING Fire, Burn, and Explosion Hazard

- This heater contains mechanical components used in the gas management and safety systems.
- Such components may become inoperative or fail due to dust, dirt, wear or aging.
- Periodic cleaning and inspection as well as proper maintenance are essential to avoid serious injury or damage.

1. Before cleaning, shut off all gas supply valves.
2. The heater should have dirt or dust removed periodically:
 - a. Before each use give the heater a general cleaning using compressed air, a soft brush, or dry rag, on its case and internal components.
 - b. At least once a year, give the heater a thorough cleaning. At this time, remove the case assembly and brush and/or blow off the burner and related components.



WARNING

Do not use a pressure washer, water or liquid cleaning solution on any gas controls. Use of a pressure washer, water, or liquid cleaning solution on the control components can cause severe personal injury or property damage due to water and/or liquids:

- * On gas control valves causing corrosion which can result in gas leaks and fire or explosion from the leak.

Clean all components of the heater with a pressurized air, a dry brush or a dry cloth.

Maintenance Instructions

1. The area surrounding the heater shall be kept clear and free from combustible materials, gasoline, and other flammable vapors and liquids.
2. Have your gas supplier check all gas piping annually for leaks or restrictions in gas lines.
3. Regulators must be periodically inspected to make sure the regulator vents are not blocked. Debris, insects, insect nests, snow, or ice on a regulator can block vents and cause excess pressure at the appliance.
4. Regulators can wear out and function improperly. Have your gas supplier check the date codes on all regulators installed and check delivery pressures to the heater to make sure that the regulator is reliable.
5. Check all components for tight connections, gas leaks, etc.. Repair or replace as necessary.
6. Review all heater markings (i.e. warnings, start-up, shut-down, etc.) at the time of maintenance for legibility. Make sure none are cut, torn, or otherwise damaged. Any damaged markings must be replaced immediately by contacting the L. B. White Co., Inc. Dataplates, start-up and shut-down instructions and warnings are available at no cost.

Service Instructions

GAS PRESSURE CHECKS

ATTENTION

- This procedure is to be done once a year prior to the heating season, anytime the heater is relocated from one job location to the next, or after servicing the heater.
- Gas pressure measured at the inlet to the heater is inlet pressure and gas pressure measured at the outlet of the regulator on the heater is burner manifold pressure.



WARNING

- Do not disassemble the pilot safety control valve.
- Do not attempt to replace any components of the pilot safety control valve.
- The pilot safety control must be replaced if any physical damage occurs to it.
- Failure to follow this warning will result in fire or explosions, leading to injury or death, and building damage.

MATERIALS REQUIRED

(To be secured through local purchase)

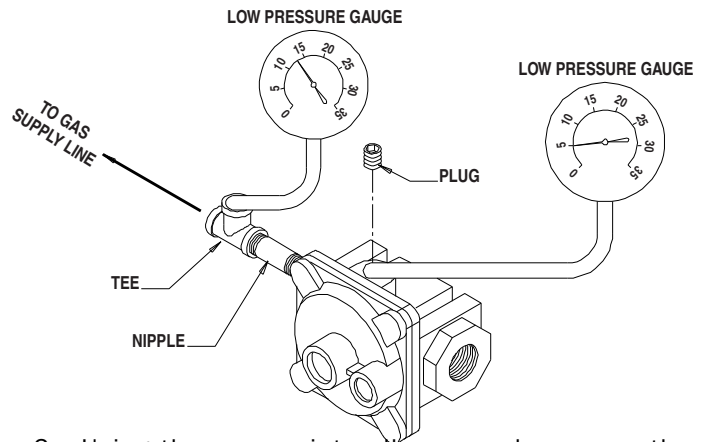
Quantity	Description
2	Low Pressure Gas Gauge capable of reading up to 35 in. W.C.
1	3/8 in. Tee
1	3/8 in. Nipple
1	3/8 in x 1/8 in Reducing Bushing

A. PREPARATION

1. Close fuel supply valve to heater.
2. Allow heater to burn off gas remaining in it's gas supply line.
3. Position pilot control valve to OFF.
4. Remove gas supply line from heater.

B. GAUGE INSTALLATION

1. Connect the following materials together in the order as given to the inlet of the regulator. See Fig. 2.
 - Nipple to inlet of regulator on heater.
 - Tee to nipple.
 - Bushing to tee.
 - Gas line to tee.
2. Connect a low pressure gauge to bushing to tee.



3. Using the appropriate allen wrench, remove the pressure tap plug located at the regulator on the heater. See Fig. 2.
4. Attach a low pressure gauge at this location. See Fig. 2.
5. Open fuel supply valve to heater.

C. READING PRESSURES

1. Light the pilot and start the heater.
2. With heater operating, the pressure gauges should read the pressures specified on the dataplate or in the specification section of this owner's manual.
3. Do the pressure readings at the inlet and burner manifold of the heater agree with that given on the dataplate? If so, no further checking or adjustment is required. Proceed to Section D.
4. If inlet or burner manifold pressures do not agree with that specified on the dataplate, then check the following:
 - Low gas pressure to heater from main gas supply.
 - Blockage in gas supply line.
 - Improper sizing of gas supply line to heater. Contact your natural gas supplier to resize if necessary.
 - Regulator on heater is out of adjustment (replace if necessary).

D. COMPLETION

1. Once the proper pressures have been confirmed, close fuel supply valves.
2. Allow heater to burn off fuel remaining in gas supply line.
3. Remove gauges, nipples and tee.
4. Reconnect gas line to inlet of heater and install pressure tap plug.
5. Tighten all connections securely and check for gas leaks.

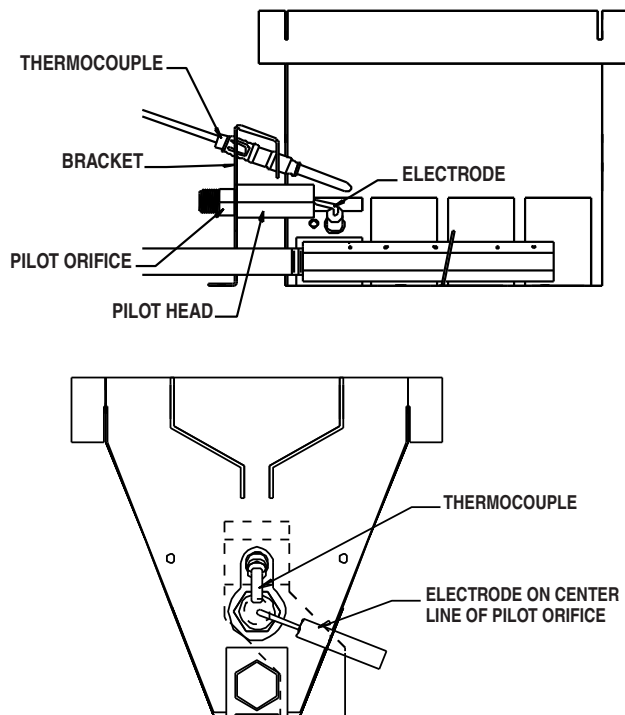
PILOT ASSEMBLY

1. Shut off gas supply to heater.
2. Let the heater cool down.
3. Remove screws that secure barrel assembly to base of heater.
4. Remove barrel assembly from base, exposing burner and pilot assembly.
5. The pilot orifice and thermocouple are located at the burner. Refer to the following to remove these components for servicing.

A. Pilot Orifice

1. Remove thermocouple from bracket.
2. Remove wire from igniter.
3. Remove screws that hold burner head to base of heater.
4. Slide burner head off of base to expose pilot orifice.
5. Hold the pilot head in place with an appropriate wrench while using another wrench to loosen the pilot orifice. See Fig. 3

FIG. 3



ATTENTION

- The pilot orifice hole is drilled to a specific diameter to match the fuel and gas pressure being used.
 - Do not insert sharp instruments into the orifice holes.
 - Clean the orifice only with compressed air, a soft brush or dry rag. If necessary, replace the pilot orifice.
 - Do not use a pliers to remove the pilot orifice from its gas supply line.
 - Doing so may round off the hex sides of the orifice, making for difficult servicing later on. Always use a wrench.
6. Reassemble by reversing above steps.

B. Thermocouple

1. Pull back sharply on the thermocouple's lead or its body. It will then pop out of its mounting hole. See Fig. 3.
2. Loosen the lead connector nut threaded into the power unit on the pilot safety gas control valve and slide thermocouple through hole on back of heater to remove.
3. To assemble, reverse above procedure.

ATTENTION

- The thermocouple has a push-in mounting clip. Make sure on reassembly that the thermocouple is completely pushed into its bracket. Failure to do so may cause pilot outage problems.
- When threading the thermocouple's connector nut back into the power unit on the gas control valve, thread the nut in finger tight and snug it in place with a wrench.
- DO NOT OVERTIGHTEN OR USE UNNECESSARY FORCE ON THE NUT WHEN TIGHTENING. Doing so will destroy the power unit in the gas control valve.
- Do not use a pliers when removing or replacing the connector nut.
- Doing so will round off the hex, making servicing difficult later on. Always use the appropriate size wrench.

Servicing of the igniter and electrode is needed when a spark at the electrode is not seen. This may happen with hard use over a long period of time, or due to dust or dirt accumulation.

If you do not see a spark being generated at the electrode check the following areas:

A. Igniter

1. Pull the wire from the push button igniter.
2. Place a metal object, (such as a screwdriver tip) about 1/8 in. from igniter.
3. Push the igniter's button several times. If spark is not seen, replace igniter.

B. Electrode

1. Ensure the wire between the electrode and the igniter is properly connected. All connections should be good and tight.

2. Check the wire for nicks, cuts, or mars. Nicks or cuts will prevent a spark from being generated at the electrode tip. Replace the electrode if necessary. The electrode ships with the wire.
3. Ensure the electrode tip is not out of position and is not corroded. The tip should be located at the midpoint of the pilot orifice and positioned so it sparks across to the outside edge of the pilot orifice. See Fig. 3.
4. Verify that the electrode's ceramic body is not cracked and that the electrode tip does not move within its insulative body. If it does, replace the electrode.

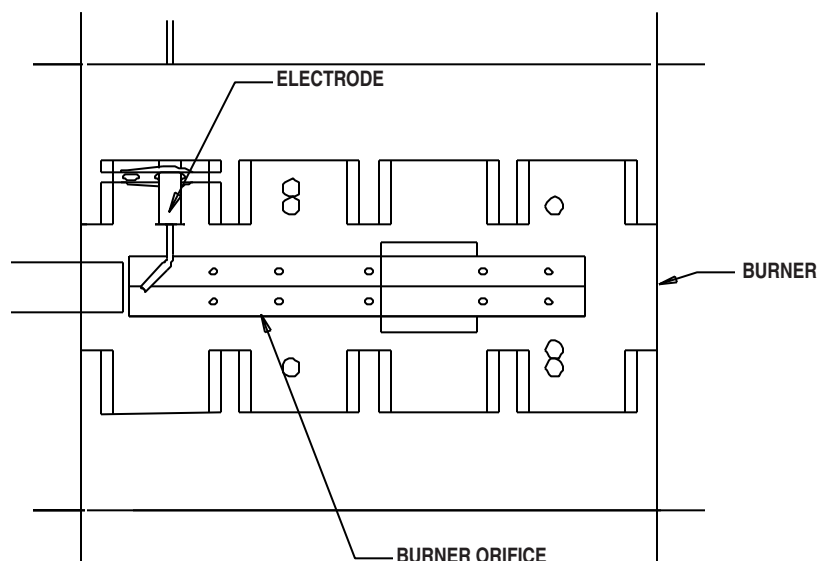
BURNER ORIFICE

ATTENTION

- Use only a soft brush, dry rag, or compressed air to clean the burner orifice.
- Do not push instruments into the orifice holes. As the holes are drilled at a specific angle and diameter.
- Doing so may distort or enlarge the holes, creating improper combustion and burner flames extending beyond the heater's case barrel.

1. In replacing the burner orifice, make sure the orifice body and its holes are positioned properly. See Fig. 4 representing top view of burner. If the orifice body is not positioned properly, the burner flame will not be directed within the heater and improper combustion may occur.
2. The basic steps used in removal of the burner orifice are the same as those used in removal of the pilot orifice.

Fig. 4



Troubleshooting

<u>PROBLEMS</u>	<u>CAUSES</u>	<u>REMEDIES</u>
1. Pilot will not light.	<ul style="list-style-type: none">* Fuel supply valves closed.* Pilot button not fully depressed.* Pilot orifice is plugged. * Inlet screen at inlet of gas valve is plugged.* Restriction in gas hose or pilot line.* Air in gas line. * Pilot safety gas control power unit is defective.* Defective Piezo igniter or electrode.	<ul style="list-style-type: none">* Open fuel supply valves.* Depress pilot button completely.* Clean or replace pilot orifice. (DO NOT insert sharp instruments in orifice holes, blow out with compressed air.)* Remove screen and clean or replace screen.* Remove hose or pilot line from heater and blow out with compressed air or replace if necessary.* Push in pilot button (normally 30 seconds is sufficient) on pilot valve to purge air from line (usually necessary at time of installation). <p>NOTE: Make sure you are pushing the Piezo igniter button during this time to prevent gas accumulation.</p> <ul style="list-style-type: none">* Replace entire pilot safety control valve.* Refer to electrode service instruction section of this manual for problems associated with Piezo igniter assembly.
2. Pilot lights but will not stay lit when pilot button is released.	<ul style="list-style-type: none">* Restriction in gas hose or pilot line.* Insufficient time allowed for pilot light to heat up thermocouple.* Loose thermocouple. * Defective thermocouple.* Pilot orifice is plugged.* Defective pilot safety control valve.* Improper gas pressure.	<ul style="list-style-type: none">* See remedy for same cause in Problem #1.* Hold in pilot button for 30 seconds to allow proper warm up.* Tighten thermocouple at gas control and make sure it is securely pushed into pilot bracket. Tighten finger tight and snug the contact nut with an appropriate wrench.* Replace thermocouple.* See remedy for same in Problem #1.* Replace entire pilot safety control valve.* Set pressure according to pressure on dataplate.
3. Main burner will not light	<ul style="list-style-type: none">* Fuel supply valves closed on heater and at gas supply.* Pilot light not lit.* Burner orifice holes plugged.	<ul style="list-style-type: none">* Open all valves.* Light the pilot.* Clean the burner orifice.
4. Burner flame lifting off burner.	<ul style="list-style-type: none">* Fuel pressure set too high.* Blockages in burner orifice or at primary air inlets of burner.	<ul style="list-style-type: none">* Set pressure according to pressure on dataplate.* Clean suspected area with soft brush, dry cloth, or compressed air.
5. Heater does not seem to be delivering maximum heat output.	<ul style="list-style-type: none">* Gas supply valves not fully open.* Burner orifice holes plugged.* Low fuel supply pressure.	<ul style="list-style-type: none">* Open valves completely.* Clean burner orifice with compressed air or replace.* Consult propane gas supplier. Cylinder or tank needs replacement or refill. Regulator needs adjustment. Check for use of proper regulation and fuel gas.

Heater Component Function

BARREL (CASE)

Upright sheet metal case component. Acts as a chimney to distribute heat to surrounding area.

BASE

Sheet metal case platform used to support and stabilize burner and barrel assemblies.

BURNER

Component at which combustion of fuel gases takes place.

BURNER ORIFICE

Brass metering device used to feed gas to burner at a specific rate, with the appropriate pressure.

GAS HOSE

Flexible connector used to convey gas from supply line or cylinder to heater.

MAIN BURNER VALVE

This valve is located between the pilot safety, gas control valve and burner. It is manually operated and is used to open or close the main fuel supply to the burner.

PILOT LIGHT ORIFICE

Small metering device used to supply gas for the dual purpose of igniting the main burner and heating the thermocouple. Works directly in conjunction with the thermocouple.

PILOT SAFETY GAS CONTROL VALVE

A gas control valve which is held open by electrical power supplied by a pilot thermocouple and which closes automatically to shut off the flow of gas to the main burner when pilot flame is extinguished or becomes too small to light the main burner.

PILOT LINE

Tubing used to convey gas from gas control valve to pilot light orifice.

REGULATOR

The heart of any gas supply installation. Used to deliver a working pressure to the appliance under varying conditions in tank pressure.

THERMOCOUPLE

A thermoelectric device that converts heat directly into electrical energy. Works in conjunction with electromagnet in gas control valve thereby assisting in maintaining gas supply for the pilot light.

Parts List

Item	Description	Part Number
1	Regulator, Natural Gas	25031
2	Nipple 3/8 in. x 1 1/2 in.	02421
3	Valve, Pilot Safety Control	571558
4	Igniter w/Nut	570434
5	Spacer	22298
6	Tube, Pilot w/Nuts and Sleeves	571515
7	Ell, 3/8 in.	01175
8	Bushing	01544
9	Thermocouple	571030
10	Orifice, Pilot	22260
11	Head, Pilot	571557
12	Bracket	571022
13	Nipple, 5 in.	80854
14	Orifice, Burner	571580
15	Burner, Assembly w/Electrode	22244
16	Electrode	571068
17.	Barrel, Case, w/ Top	571505
18	Base, Case, w/ Labels	23673
19	Shield	22297

Warranty Policy

HEATER

L.B. White Co., Inc. warrants that the component parts of its heater are free from defects in material and workmanship, when properly installed, operated, and maintained in accordance with the Installation and Maintenance Instructions, safety guides and labels contained with each unit. If, **within 24 months from the date of purchase by the end user**, any component is found to be defective, L.B. White Co., Inc. will at its option, repair or replace the defective part or heater, with a new part or heater, F.O.B., Onalaska, Wisconsin.

Registering your product online with L.B.White will automatically qualify a unit and its component parts for warranty consideration. If a product has not been registered with L.B.White, a copy of the bill of sale will be required to establish warranty qualification. If neither is available, the warranty period will be 24 months from date of shipment from L B. White.

PARTS

L.B. White Co., Inc. warrants that replacement parts purchased from the company and used on the appropriate L. B. White equipment are free from defects both in material and workmanship for **24 months from the date of purchase by the end user**. Warranty is automatic if a component is found defective within 24 months of the date code marked on the part. If the defect occurs more than 24 months later than the date code but within 24 months from the date of purchase by the end user, a copy of a bill of sale will be required to establish warranty qualification.

duration to the duration of the applicable warranty stated above. The remedies set forth above are the sole and exclusive remedies available hereunder. L.B. White will not be liable for any incidental or consequential damages directly or indirectly related to the sale, handling or use of the equipment, and in any event L.B. White's liability in connection with the equipment, including for claims based on negligence or strict liability, is limited to the purchase price.

The warranty set forth above is the exclusive warranty provided by L.B. White, and all other warranties, including any implied warranties or merchantability or fitness for a particular purpose, are expressly disclaimed. In the event any implied warranty is not hereby effectively disclaimed due to operation of law, such implied warranty is limited in

Some states do not allow limitations on how long an implied warranty lasts, so the above limitation may not apply to you. Some states do not allow the exclusion or limitation of incidental or consequential damages, so the above limitation or exclusion may not apply to you. This warranty gives you specific legal rights, and you may also have other rights which vary from state to state.

To register your product and ensure full warranty, go to <http://www.lbwhite.com/product-registration>. Please have the serial number(s) and model(s) handy for the products you are registering.

Replacement Parts and Service

Contact your local L.B. White dealer for replacement parts and service or call the L.B. White Co., Inc. at 1-800-345-7200

for assistance. Be sure that you have your heater model number and configuration number when calling.