

TITLE:

**EPL-24-2L-LED-SFC**

**PROPRIETARY AND CONFIDENTIAL**  
THE INFORMATION CONTAINED IN THIS DRAWING IS THE SOLE PROPERTY OF LARSON ELECTRONICS LLC. ANY REPRODUCTION IN PART OR AS A WHOLE WITHOUT THE WRITTEN PERMISSION OF LARSON ELECTRONICS LLC IS PROHIBITED.

DIMENSIONS ARE IN INCHES		DRAWN	NAME	SIZE	DWG. NO.	REV
MATERIAL		CHECKED	CHRIS THAUER	<b>A</b>		
DO NOT SCALE DRAWING			JEREMY BLANKENSHIP			
				SCALE: 1:8	SHEET 1 OF 1	

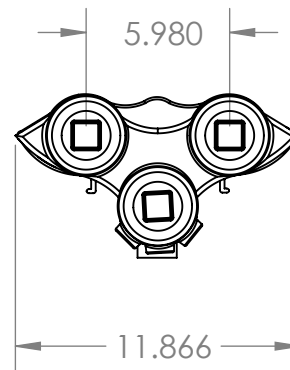
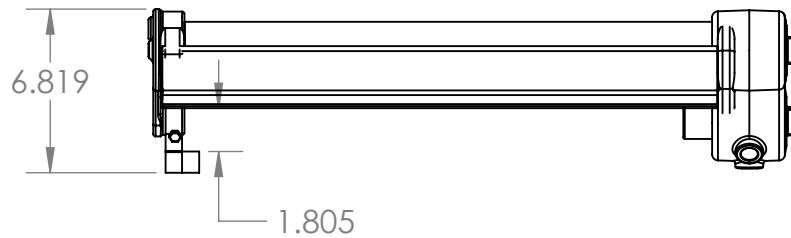
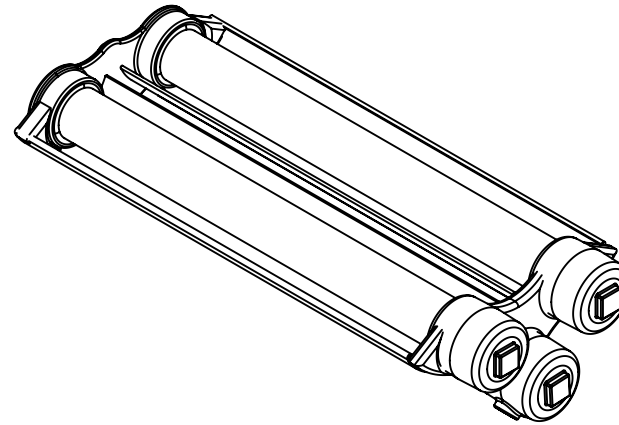
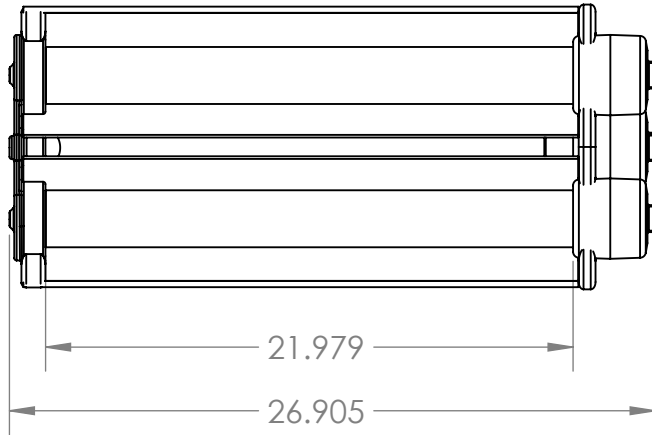
5

4

3

2

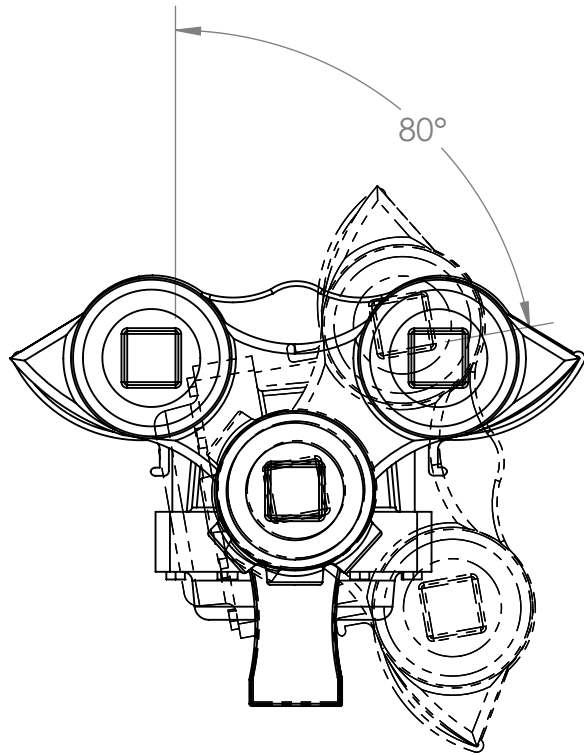
1



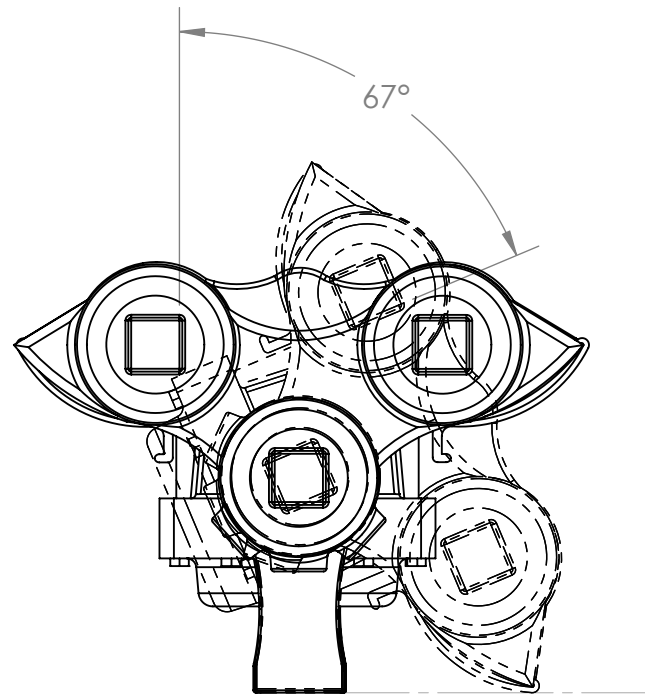
TITLE:			
<b>EPL-24-2L-LED-PND</b>			
NAME	SIZE	DWG. NO.	REV
CHRIS THAUER	<b>A</b>		
CHECKED	SCALE: 1:8		SHEET 1 OF 1
JEREMY BLANKENSHIP			
DO NOT SCALE DRAWING			

**PROPRIETARY AND CONFIDENTIAL**  
 THE INFORMATION CONTAINED IN THIS DRAWING IS THE SOLE PROPERTY OF LARSON ELECTRONICS LLC. ANY REPRODUCTION IN PART OR AS A WHOLE WITHOUT THE WRITTEN PERMISSION OF LARSON ELECTRONICS LLC IS PROHIBITED.

# TILTED TO SURFACE MOUNT



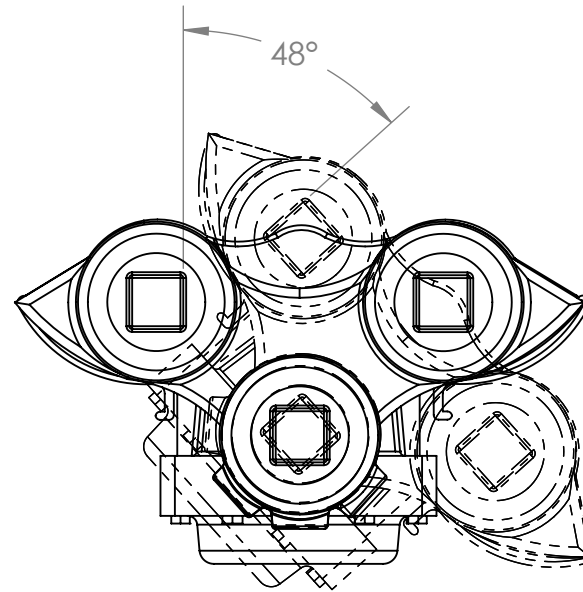
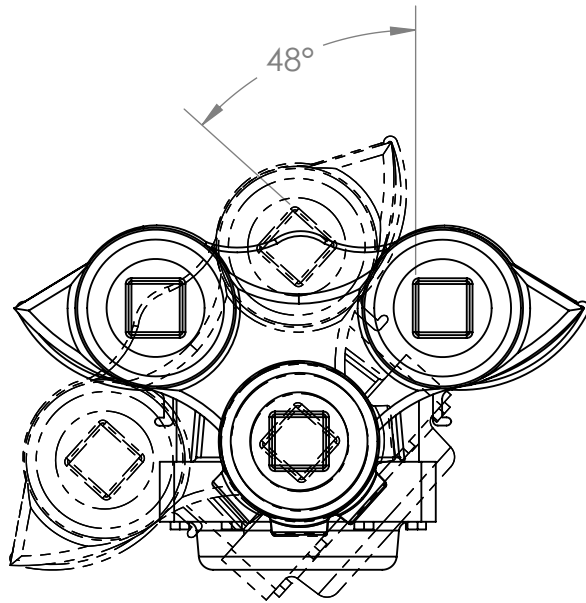
# TILTED TO A WALL



**PROPRIETARY AND CONFIDENTIAL**  
 THE INFORMATION CONTAINED IN THIS DRAWING IS THE SOLE PROPERTY OF LARSON ELECTRONICS LLC. ANY REPRODUCTION IN PART OR AS A WHOLE WITHOUT THE WRITTEN PERMISSION OF LARSON ELECTRONICS LLC IS PROHIBITED.

TITLE:  
**EPL-24-2L-LED-SFC  
 MAXIMUM TILTING ANGLES**

DIMENSIONS ARE IN INCHES		DRAWN	NAME	SIZE	DWG. NO.	REV
MATERIAL		CHECKED	CHRIS THAUER	<b>A</b>		
DO NOT SCALE DRAWING			JEREMY BLANKENSHIP			
				SCALE: 1:4	SHEET 1 OF 1	

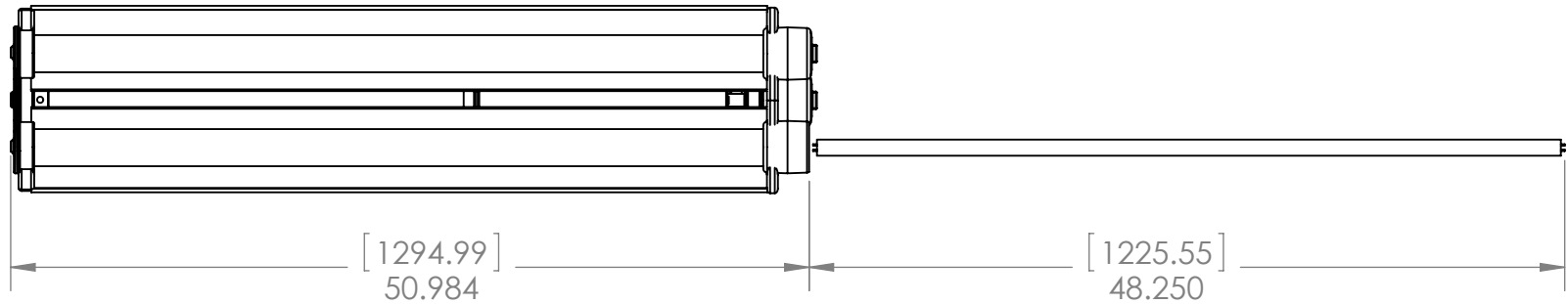


**PROPRIETARY AND CONFIDENTIAL**  
 THE INFORMATION CONTAINED IN THIS DRAWING IS THE SOLE PROPERTY OF LARSON ELECTRONICS LLC. ANY REPRODUCTION IN PART OR AS A WHOLE WITHOUT THE WRITTEN PERMISSION OF LARSON ELECTRONICS LLC IS PROHIBITED.

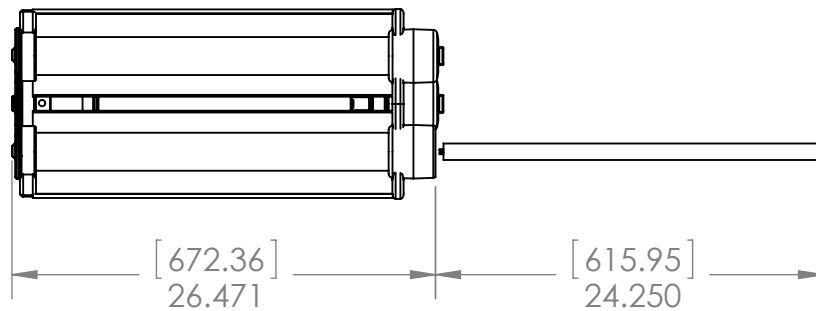
DIMENSIONS ARE IN INCHES		DRAWN	CHRIS THAUER	SIZE	DWG. NO.	REV
MATERIAL		CHECKED	JEREMY BLANKENSHIP	<b>A</b>		
DO NOT SCALE DRAWING				SCALE: 1:4		SHEET 1 OF 1

TITLE:  
**EPL-24-2L-LED-PND  
 TILTING ANGLES**

# EPL-48-2L Series

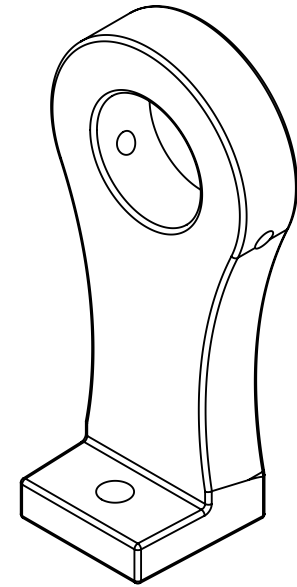
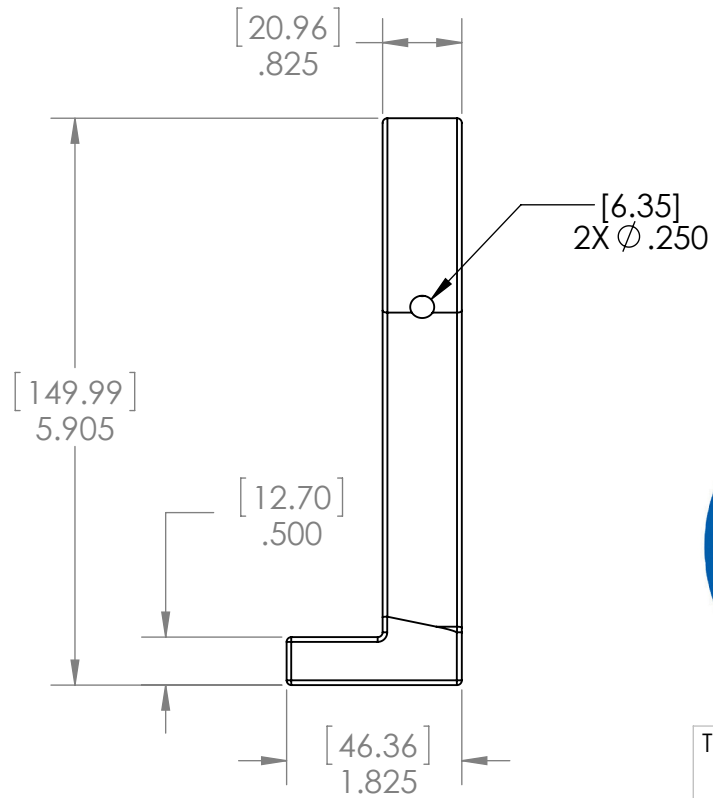
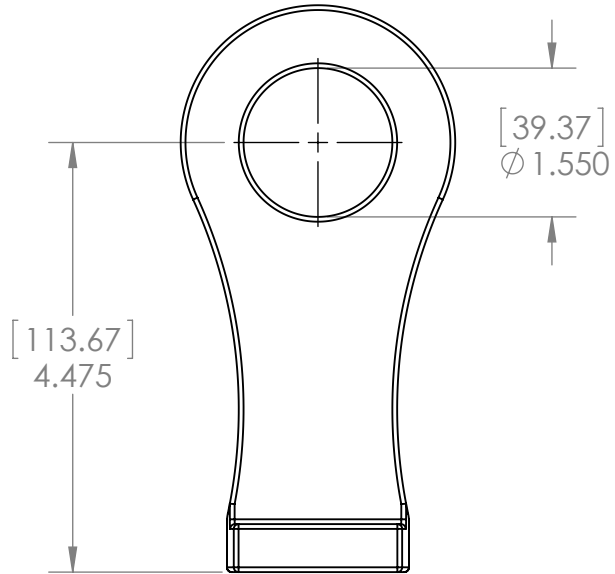
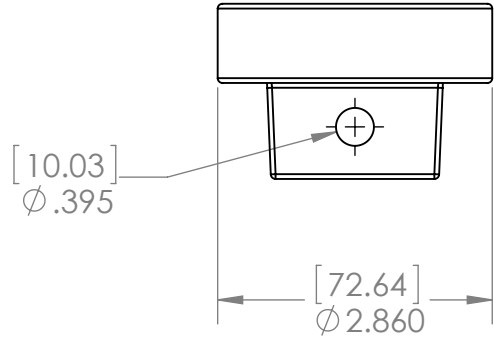


# EPL-24-2L Series



TITLE:			
<b>EPL Series Relamping</b>			
NAME	SIZE	DWG. NO.	REV
CHRIS THAUER	<b>A</b>		
DIMENSIONS ARE IN INCHES	DRAWN	DO NOT SCALE DRAWING	
MATERIAL	CHECKED	SCALE: 1:12	
		SHEET 1 OF 1	

**PROPRIETARY AND CONFIDENTIAL**  
 THE INFORMATION CONTAINED IN THIS DRAWING IS THE SOLE PROPERTY OF LARSON ELECTRONICS LLC. ANY REPRODUCTION IN PART OR AS A WHOLE WITHOUT THE WRITTEN PERMISSION OF LARSON ELECTRONICS LLC IS PROHIBITED.



**PROPRIETARY AND CONFIDENTIAL**  
 THE INFORMATION CONTAINED IN THIS DRAWING IS THE SOLE PROPERTY OF LARSON ELECTRONICS LLC. ANY REPRODUCTION IN PART OR AS A WHOLE WITHOUT THE WRITTEN PERMISSION OF LARSON ELECTRONICS LLC IS PROHIBITED.

DIMENSIONS ARE IN INCHES		DRAWN	CHRIS THAUER
MATERIAL		CHECKED	JEREMY BLANKENSHIP
DO NOT SCALE DRAWING			

NAME	
CHRIS THAUER	
JEREMY BLANKENSHIP	

TITLE:			
<b>EPL SURFACE MOUNT EPL-4824-SFC</b>			
SIZE	DWG. NO.	REV	
<b>A</b>			
SCALE: 1:2		SHEET 1 OF 1	

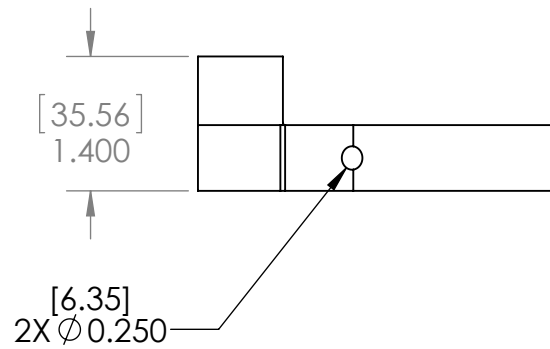
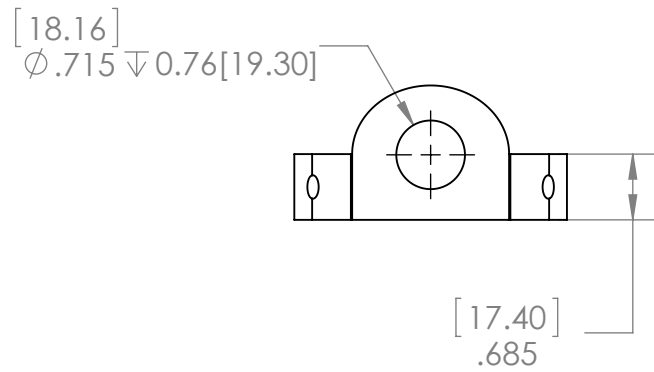
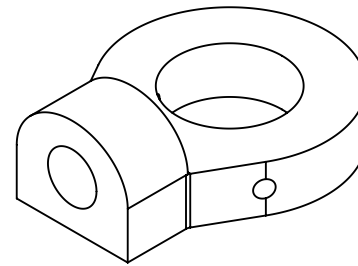
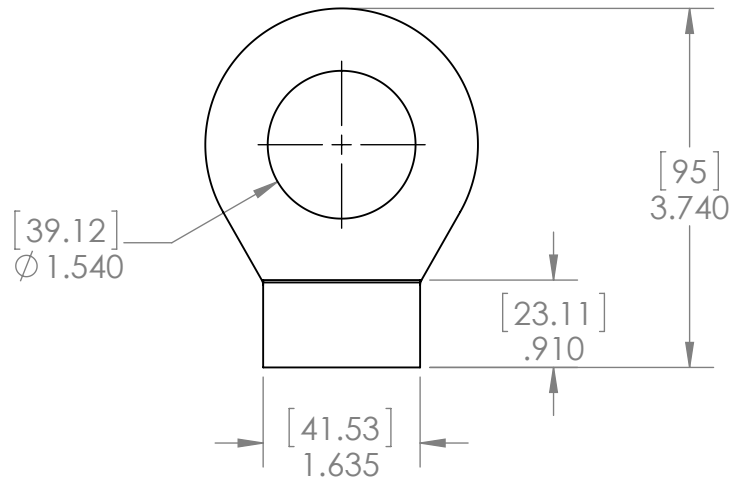
5

4

3

2

1



**PROPRIETARY AND CONFIDENTIAL**  
 THE INFORMATION CONTAINED IN THIS DRAWING IS THE SOLE PROPERTY OF LARSON ELECTRONICS LLC. ANY REPRODUCTION IN PART OR AS A WHOLE WITHOUT THE WRITTEN PERMISSION OF LARSON ELECTRONICS LLC IS PROHIBITED.

DIMENSIONS ARE IN INCHES		DRAWN	CHRIS THAUER
MATERIAL		CHECKED	JEREMY BLANKENSHIP
DO NOT SCALE DRAWING			

NAME	
CHRIS THAUER	
JEREMY BLANKENSHIP	

TITLE:			
<b>EPL PENDANT MOUNT</b>			
<b>EPL-4824-PND</b>			
SIZE	DWG. NO.	REV	
<b>A</b>			
SCALE: 1:2		SHEET 1 OF 1	