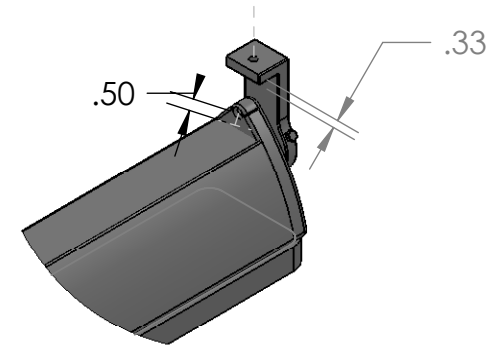
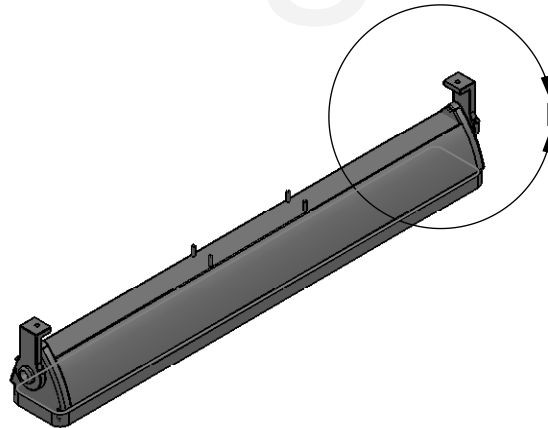
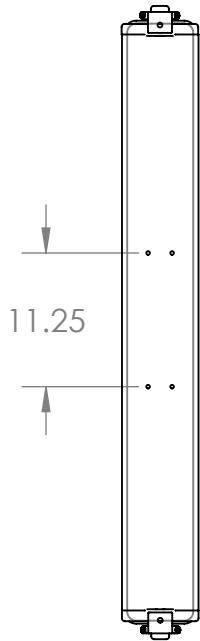


Magnalight.com



PROPRIETARY AND CONFIDENTIAL
 THE INFORMATION CONTAINED IN THIS DRAWING IS THE SOLE PROPERTY OF Magnalight.com. ANY REPRODUCTION IN PART OR AS A WHOLE WITHOUT THE WRITTEN PERMISSION OF Magnalight.com IS PROHIBITED.

		UNLESS OTHERWISE SPECIFIED:		NAME	DATE
		DIMENSIONS ARE IN INCHES	DRAWN	PEC	5/09
		TOLERANCES:	CHECKED		
		FRACTIONAL ±.02	ENG APPR.	PEC	6/09
		ANGULAR: MACH ± .02	MFG APPR.		
		BEND ±.02	Q.A.		
		TWO PLACE DECIMAL ±.02	COMMENTS:		
		THREE PLACE DECIMAL ±.02			
		INTERPRET GEOMETRIC TOLERANCING PER:			
		MATERIAL			
NEXT ASSY	USED ON	FINISH			
APPLICATION		DO NOT SCALE DRAWING			

Magnalight.com

TITLE:
4 ft hazardous location light

SIZE	PART NO.	REV
A	HAL-48-2L	A-2

SCALE: 1:16	WEIGHT:	SHEET 1 OF 1
-------------	---------	--------------

5

4

3

2

1