

TITLE:

**HALP-24-3L-SFC**

**PROPRIETARY AND CONFIDENTIAL**

THE INFORMATION CONTAINED IN THIS DRAWING IS THE SOLE PROPERTY OF LARSON ELECTRONICS LLC. ANY REPRODUCTION IN PART OR AS A WHOLE WITHOUT THE WRITTEN PERMISSION OF LARSON ELECTRONICS LLC IS PROHIBITED.

DIMENSIONS ARE IN INCHES		DRAWN	CHRIS THAUER	SIZE	DWG. NO.	REV
MATERIAL		CHECKED	JEREMY BLANKENSHIP	<b>A</b>		
DO NOT SCALE DRAWING				SCALE: 1:8		SHEET 1 OF 1

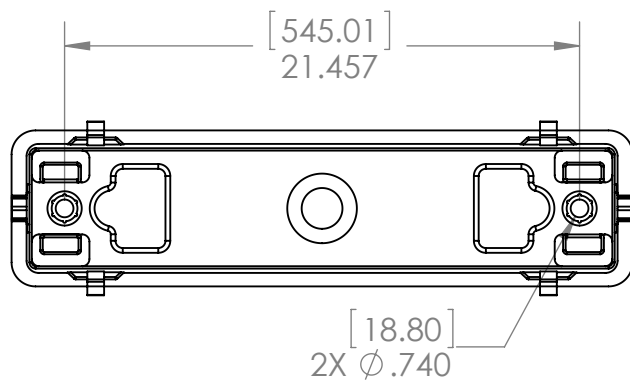
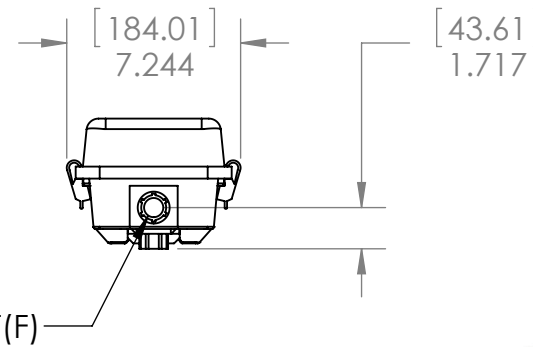
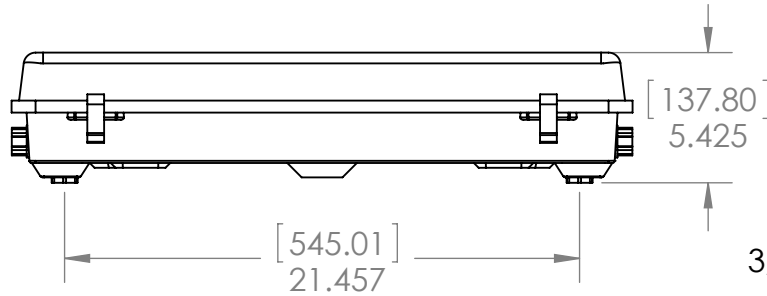
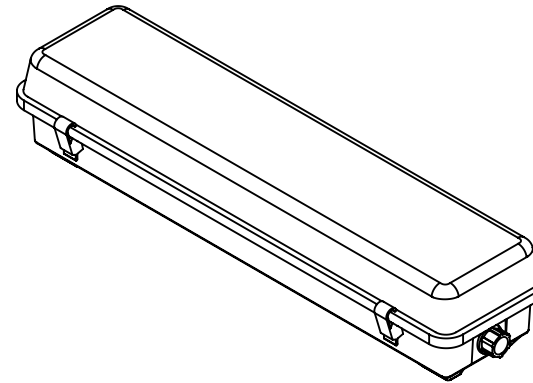
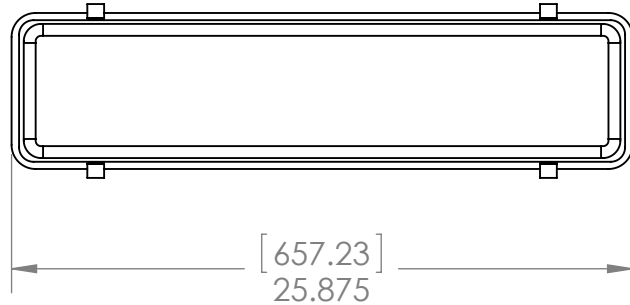
5

4

3

2

1



TITLE:			
<b>HALP-24-3L-PND</b>			
NAME	SIZE	DWG. NO.	REV
CHRIS THAUER	<b>A</b>		
CHECKED	SCALE: 1:8		SHEET 1 OF 1
JEREMY BLANKENSHIP			
DO NOT SCALE DRAWING			

**PROPRIETARY AND CONFIDENTIAL**  
 THE INFORMATION CONTAINED IN THIS DRAWING IS THE SOLE PROPERTY OF LARSON ELECTRONICS LLC. ANY REPRODUCTION IN PART OR AS A WHOLE WITHOUT THE WRITTEN PERMISSION OF LARSON ELECTRONICS LLC IS PROHIBITED.

5

4

3

2

1