

Parts List and Diagram for Model 160-WP-SS

Stainless Steel 4-Wheel Drum Truck with Pneumatic Wheels

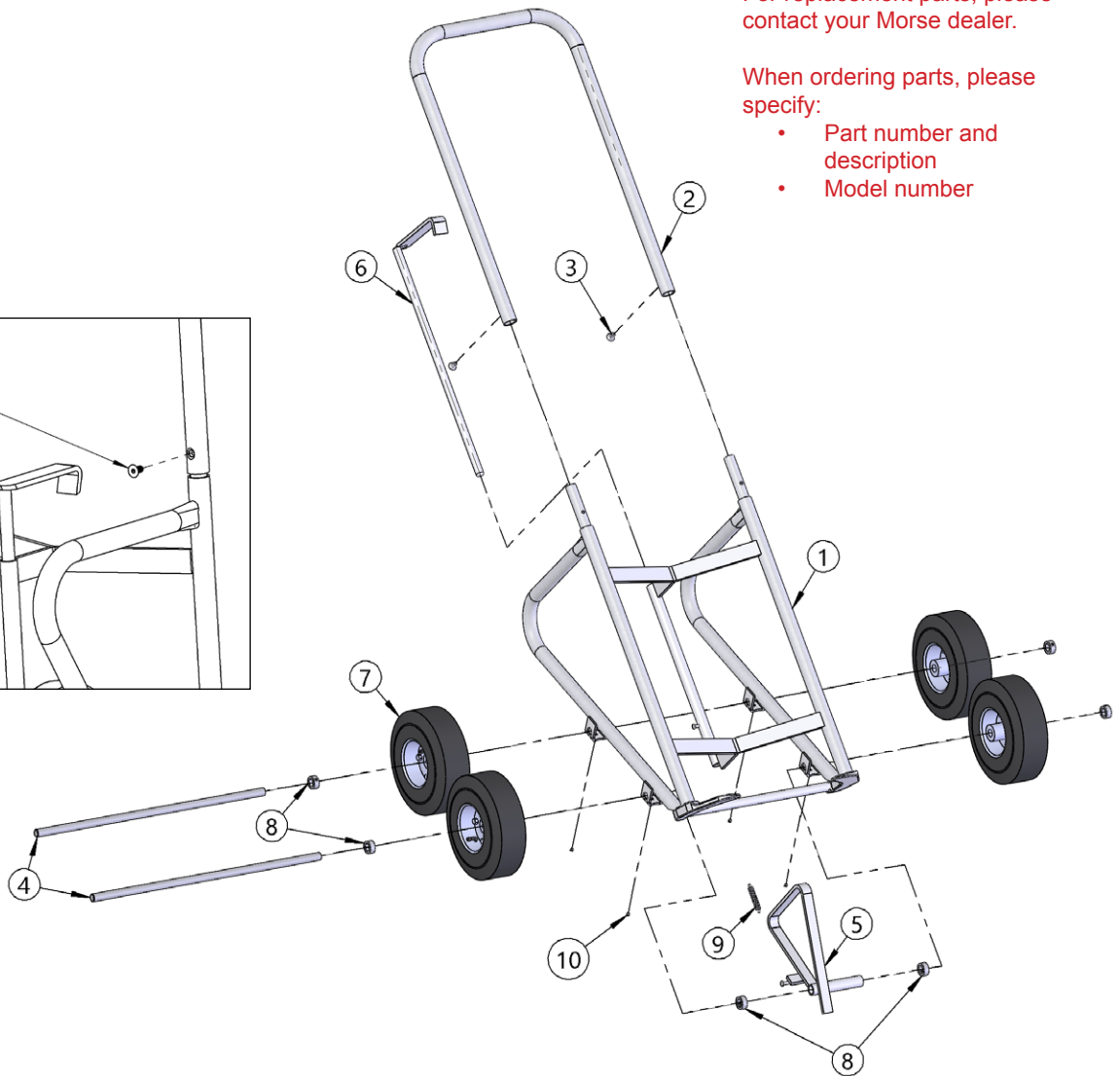
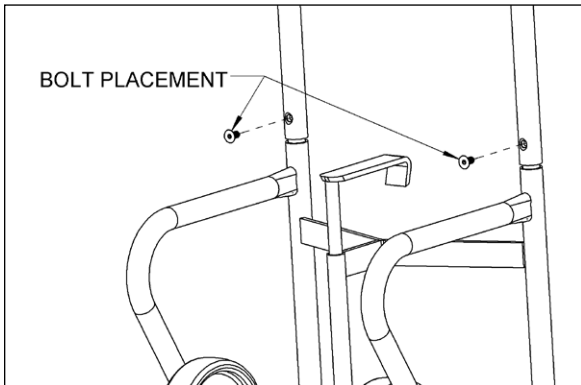
Serial Number 1215 to _____



IMPORTANT NOTE

4-Digit serial numbers are simply the month & year of manufacture

Example: 0802 is August 2002



For replacement parts, please contact your Morse dealer.

When ordering parts, please specify:

- Part number and description
- Model number

ITEM NO.	PART NUMBER	DESCRIPTION	QTY.
1	5518WSS-P	BASE WELD, 160-WP KD	1
2	5434SS-P	HANDLE, 160 KD	1
3	4685SS-P	SHCS, 3/8-16 X 3/4 FH, SS	2
4	1381-P	AXLE, 25.5", 160-WP	2
5	2752-P	STAND WELD, 160-SS	1
6	2756-P	HOOK WELD, 160-SS	1
7	1379-P	WHEEL, PNEUMATIC 10", 160-WP	4
8	15-P	COLLAR, 3/4" ID	6
9	2759-P	SPRING, EXTENSION, SS, 160-SS	1
10	1000SS-P	SET SCREW, 1/4-20 X 1/4, SS	4