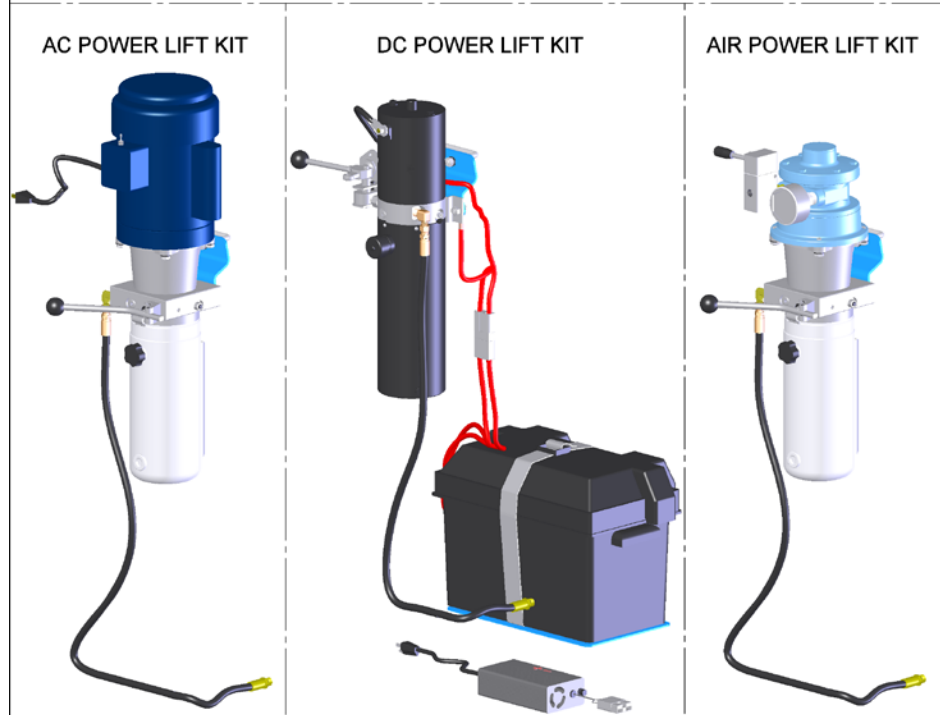
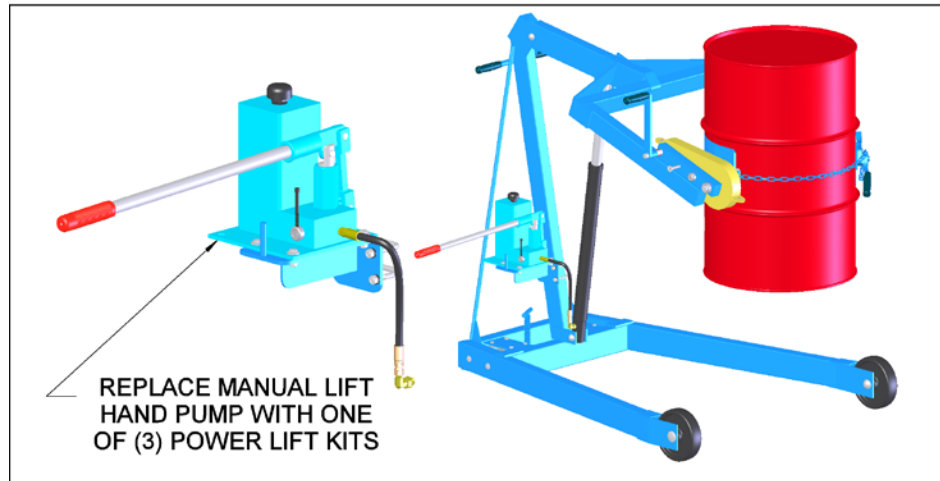



Convert your Manual-Lift Hydra-Lift Karrier to Power-Lift with a Field Installed Power-Lift Kit.



IMPORTANT
 **NOTE:** Serial numbers are simply the month and year of manufacture.
 Example: 0802 is August 2002

Power Lift Kits for Field Installation

MODEL	SERIAL # RANGE	Kit to Convert Manual Lift to AC POWER LIFT	Kit to Convert Manual Lift to DC POWER LIFT	Kit to Convert Manual Lift to AIR POWER LIFT
400A-60 or 400A-72	0885 to ____	O-120FILC	O-125FILC	O-124FILC
	0000 to 0785	O-120FI	O-125FI	O-124FI
400A-96	0804 to ____	O-120FILC-96	O-125FILC-96	O-124FILC-96
	0885 to 0704	O-120FILC	O-125FILC	O-124FILC
	0000 to 0785	O-120FI	O-125FI	O-124FI