

**Kit POLY-201FI for field installation to roll a plastic drum on
wheeled Morse 201 series Portable Drum Rollers
Serial number 286584 to _____**



Morse Portable Drum Roller
shown with Kit # POLY-201FI installed

Installation Instructions

Idler Shaft Assembly

Add two wheels to the end closest to the loading plate and tighten in place.

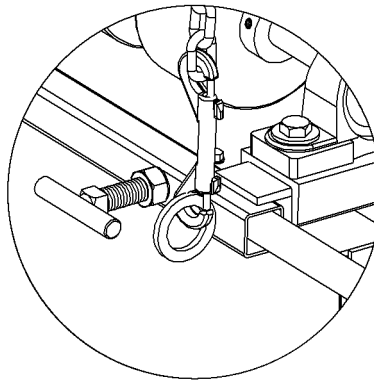
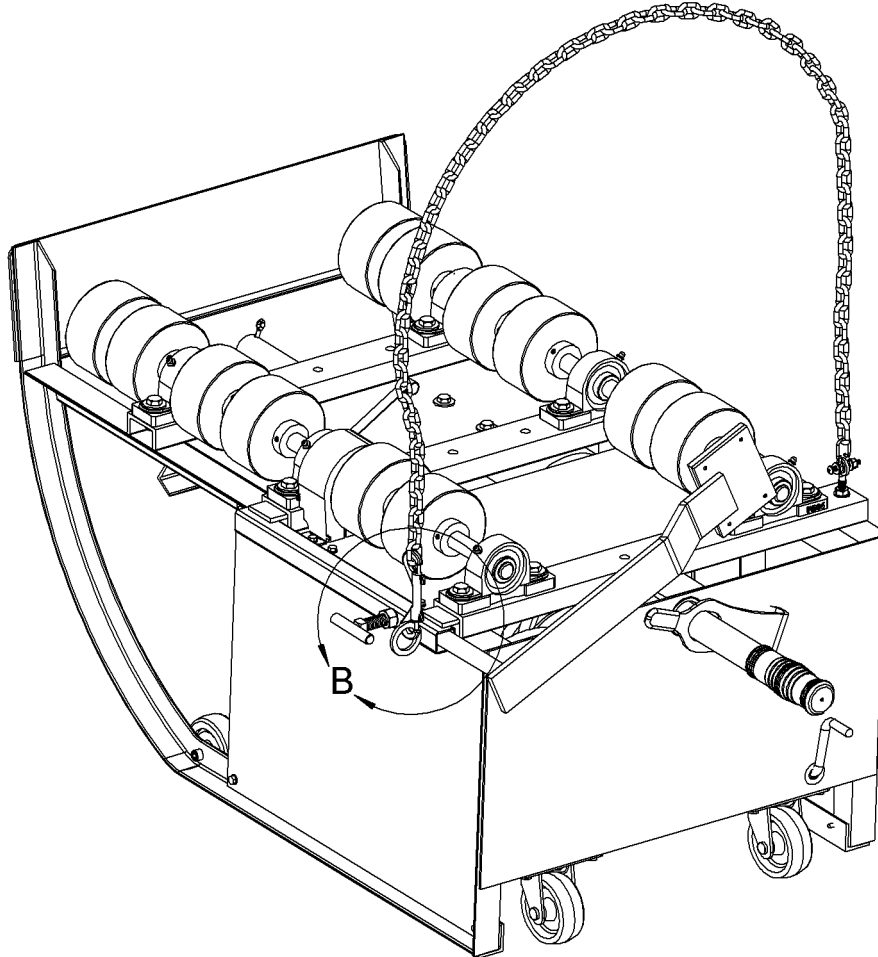
Drive Shaft Assembly

1. Before you begin, mark the frame at all three pillow block bearing bases to locate factory set position.
2. Remove drive sprocket cover.
3. Remove the six pillow block bearing bolts.
4. Remove master link from drive roller chain and take chain off sprocket.
5. Remove drive shaft assembly and repeat wheel install procedure from above.
6. Set the drive shaft assembly on the frame into the position where the frame was marked.
7. Install all bearing mounting bolts and hand tighten the nuts, except the outside bolts on the two bearings where the back stop tube assembly will be mounted (see diagram).
8. Reinstall drive roller chain.
9. Insert the back stop tube as shown, and secure with 3/8-16 x 1-1/2" bolts provided in kit. These should be hand tight at this point. The holes on the 201 channel frame may need to be drilled out a little larger, in order to line up the holes of the back stop tube.
10. While ensuring that the drive roller chain is tight, tighten the bearing bolts. The bearings should be at the factory positions that were marked on the frame.
11. Install drive sprocket cover.

Final Assembly

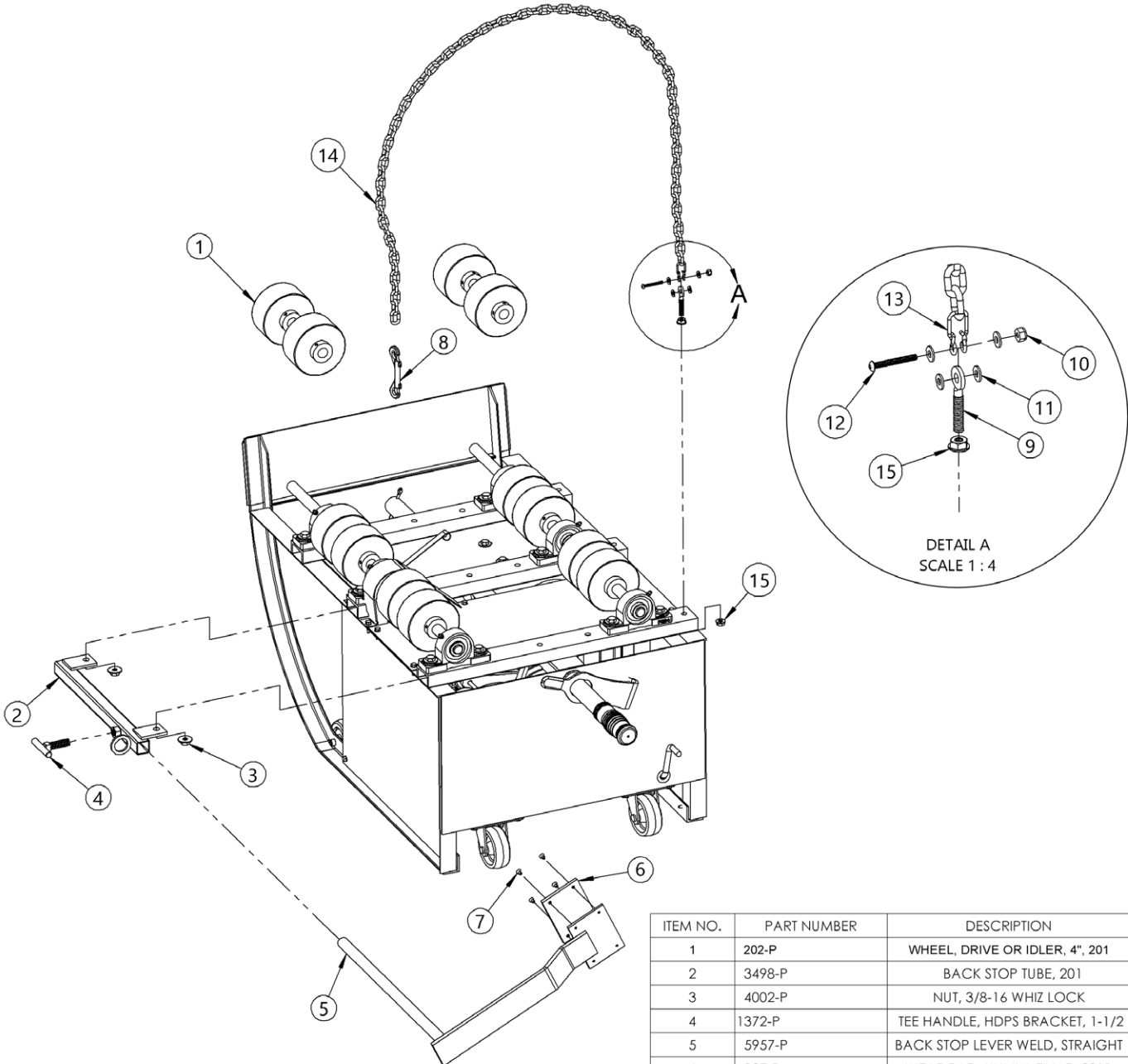
1. Insert loading chain eye bolt in blank hole on idler side as shown. Secure with two nuts and two washers.
2. Adjust all wheels and tighten all set screws.

Kit POLY-201FI for field installation to roll a plastic drum on
wheeled Morse 201 series Portable Drum Rollers
Serial number 286584 to _____



DETAIL B
SCALE 1 : 4

Kit POLY-201FI for field installation to roll a plastic drum on
wheeled Morse 201 series Portable Drum Rollers
Serial number 286584 to _____



ITEM NO.	PART NUMBER	DESCRIPTION	QTY.
1	202-P	WHEEL, DRIVE OR IDLER, 4", 201	4
2	3498-P	BACK STOP TUBE, 201	1
3	4002-P	NUT, 3/8-16 WHIZ LOCK	2
4	1372-P	TEE HANDLE, HDPS BRACKET, 1-1/2	1
5	5957-P	BACK STOP LEVER WELD, STRAIGHT	1
6	327-P	WEAR PAD, UHMW, TIVAR, 201B	1
7	248-P	FHMS, 10-24 X 3/8	4
8	575-P	SNAP HOOK, GR, 300	1
9	M01327-P	BOLT, 5/16-18 X 1-7/8 EYE, MON	1
10	1869-P	10 - 24 NYLON LOCK NUT	1
11	3292-P	WASHER, SAE # 10,ID3/16"OD7/16	4
12	1867-P	BHSC, 10-24 X 1-3/4	1
13	MCH63 LINK	CHAIN, PULL, 1/0 LOCK LINK	1
14	3988-P	CHAIN, 1/0 LOCK LINK, 66"	1
15	1634-P	NUT, 5/16-18 WHIZ LOCK	2