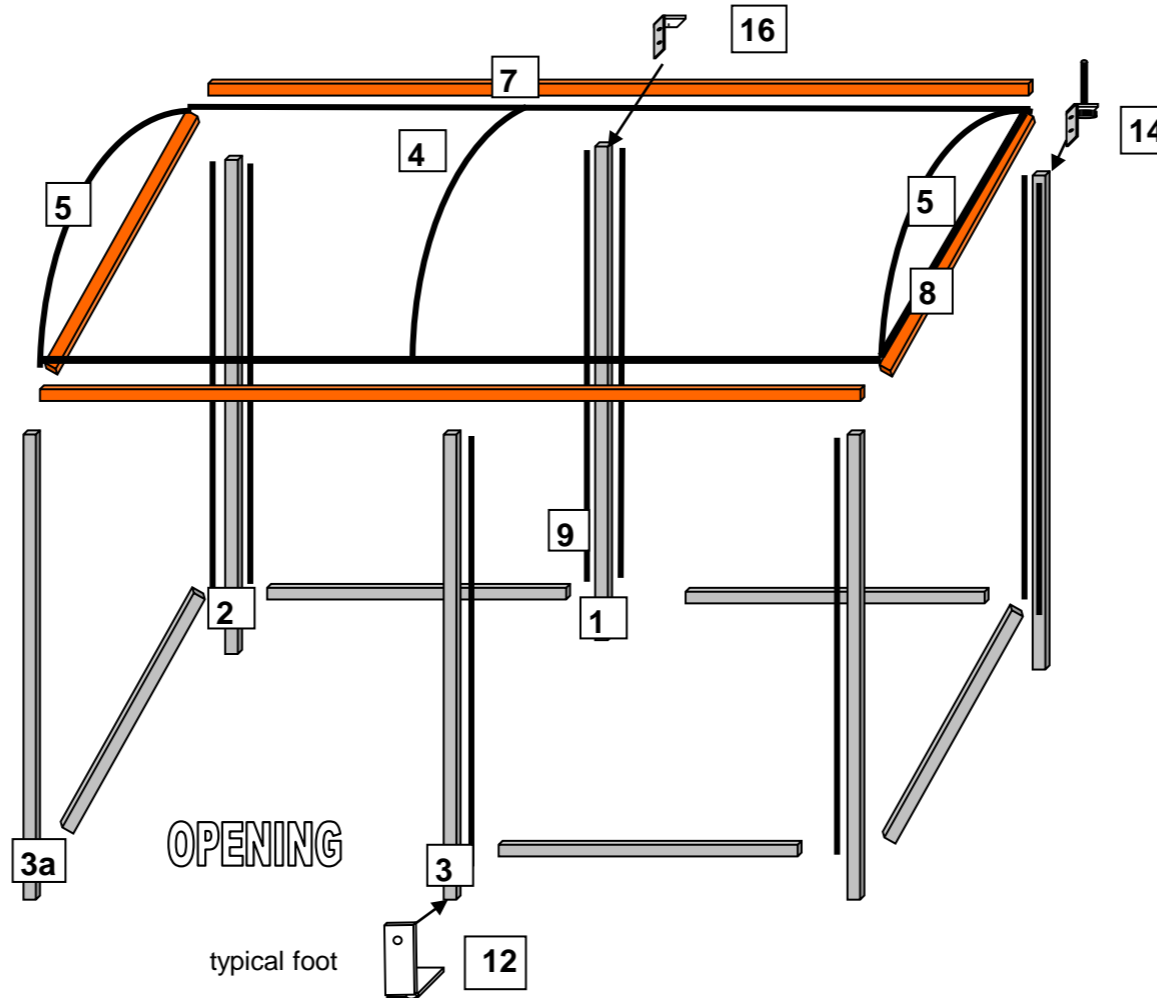


Component	Part No	Item	Length	No
Uprights Double	A48FS-1C	1	2000	1
Uprights Corner	A48FS-2C	2	2000	3
Uprights Single LH	A48FS-3C	3	2000	1
Uprights Single RH	A48FS-3aC	3a	2000	1
Horizontals Full Bay	A88FS-5	4	998	5
Roof Ends x1	A48FS-6	5		2
Roof Side 2 Bay box	A48FS-4	7	2110	2
Roof End x1 Box	A48FS-5	8	998	2
C type Glazing Bead	A48FS-13	9	1792	10
Plastic Glazing Panels	NBB928	1808x988		5
Std Foot "L" Assembly	A48FS-16	12		6
End Caps Square	NBB919			4
x1 Roof Trim	A48FS-12			1
Hex Head Drill Screws (small)	NBB901			3
Anchor Bolts	NBB915			6
Paint Stick	NBB914			1
Top Bracket (Stud)	A48FS-15	14		4
Top Bracket (Thread)	A48FS-16	16		2
M8 x 50 allen bolt	NBB906			2
Hex Head Drill Screws	NBB907			23
M6x12 poz screws	NBB902			12
M8x12 screw & washer	NBB909			6



**Layout of Uprights & Roof Fixing NBS0408FS**

Type of upright	Type of Top Bracket	No
Uprights Single LH	Top Bracket (Stud)	1
Uprights Corner	Top Bracket (Stud)	2
Uprights Double	Top Bracket (Thread)	3
Uprights Corner	Top Bracket (Stud)	4
Uprights Corner	Top Bracket (Stud)	5
Uprights Single RH	Top Bracket (Thread)	6

