

# Illustrated Parts List

## Model Series

# 130G00

TYPE NUMBERS  
0001 through 0229.

### TABLE OF CONTENTS

Air Cleaner .....	6
Alternator .....	7
Armature .....	7
Blower Housing .....	6
Camshaft .....	2
Carburetor .....	5
Controls .....	7
Crankcase Cover .....	2
Crankshaft .....	2
Cylinder .....	2
Cylinder Head .....	3
Electrical System .....	7
Exhaust System .....	4
Flywheel .....	6
Fuel Supply .....	4
Gasket Set .....	3
Governor Spring .....	7
Ignition .....	7
Piston/Rings/Connecting Rod .....	2
Rewind Starter .....	6
Spark Plug .....	7
Warning Label .....	2



PRINTED IN U.S.A.

COPYRIGHT by BRIGGS & STRATTON CORPORATION  
All rights reserved. No part of this material may be reproduced or transmitted, in any form or by any means, electronic or mechanical, including photocopying, recording or by any information storage and retrieval system, without permission in writing from Briggs & Stratton Corporation.

# 130G00

1319 WARNING LABEL



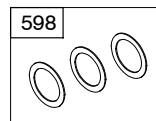
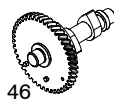
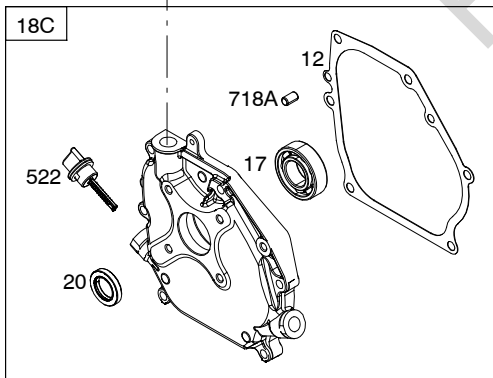
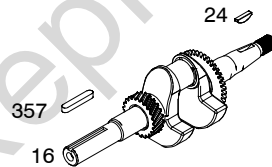
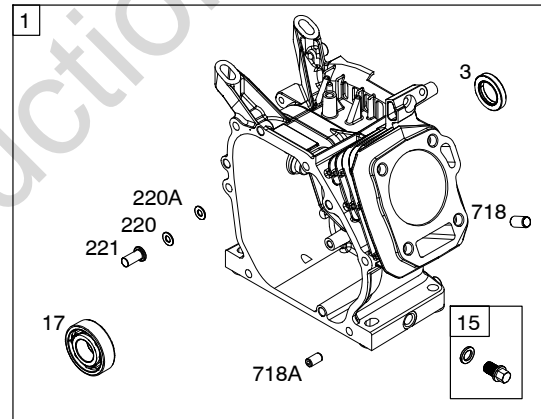
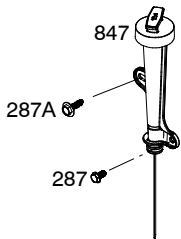
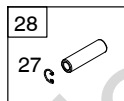
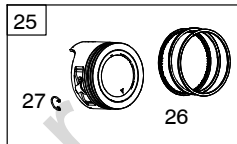
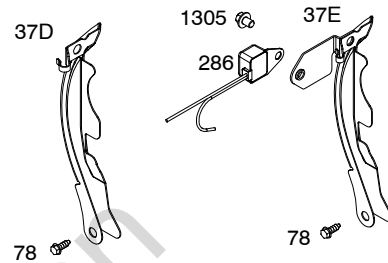
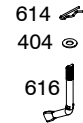
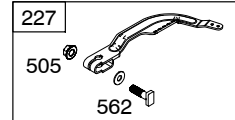
**REQUIRED** when replacing parts with warning labels affixed.

1319A WARNING LABEL

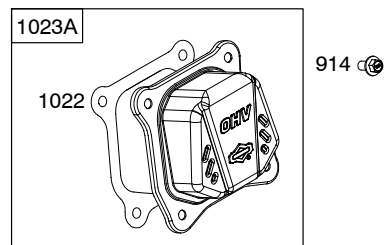
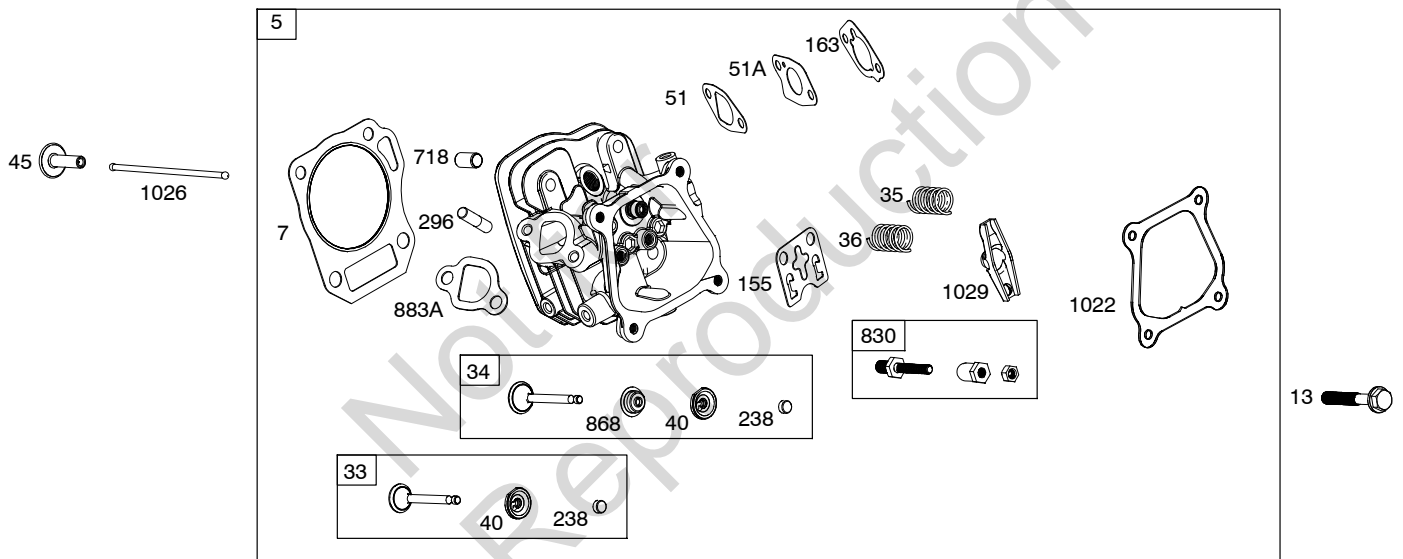
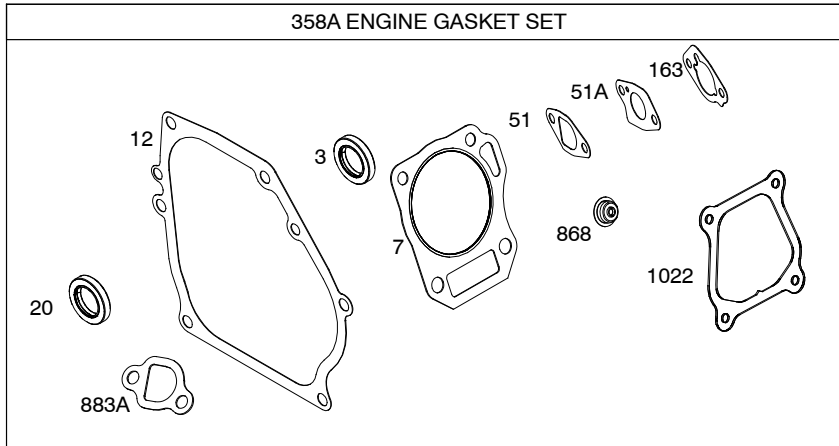


**REQUIRED** when replacing parts with warning labels affixed.

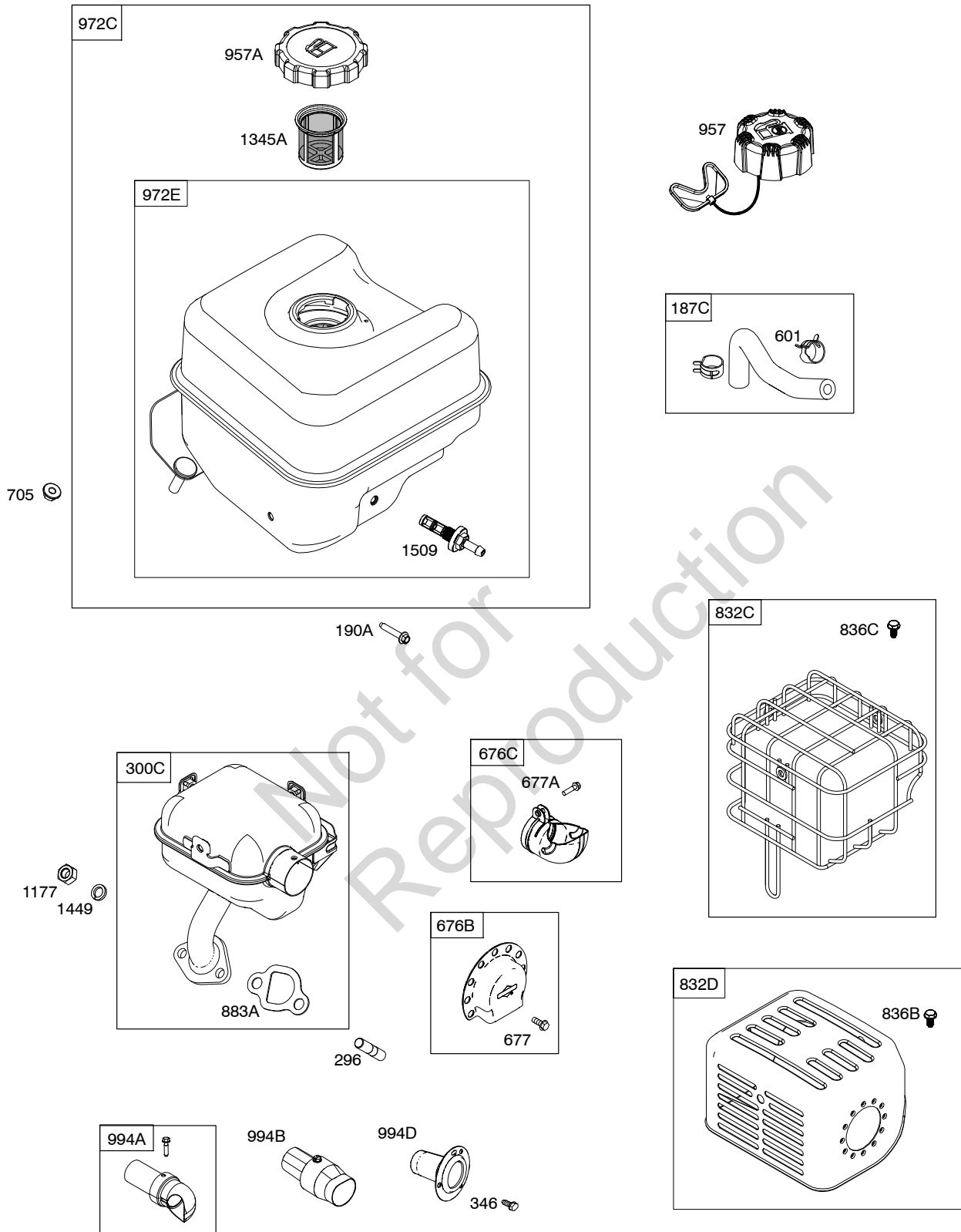
1036 EMISSIONS LABEL



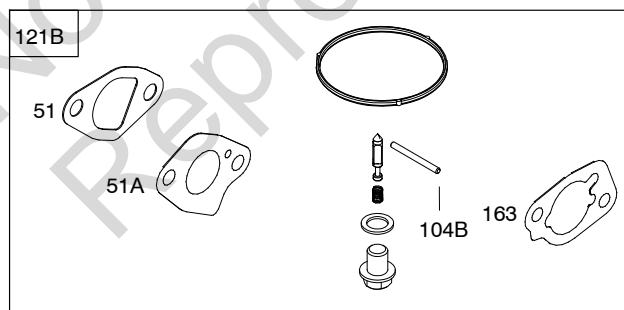
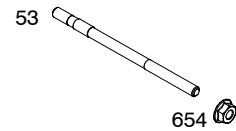
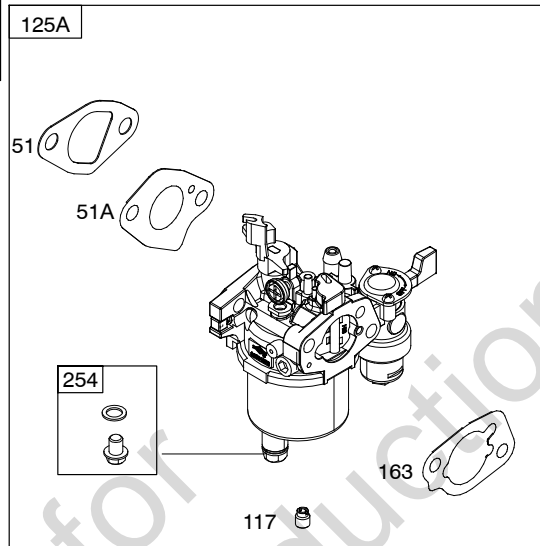
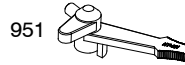
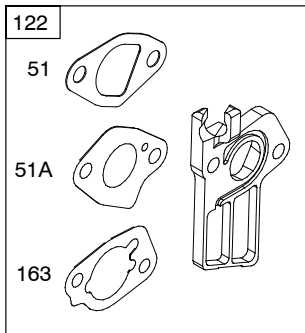
**Illustrations cover a range of engines. Parts shown without text may not be used on your specific engine.**



*Illustrations cover a range of engines. Parts shown without text may not be used on your specific engine.*

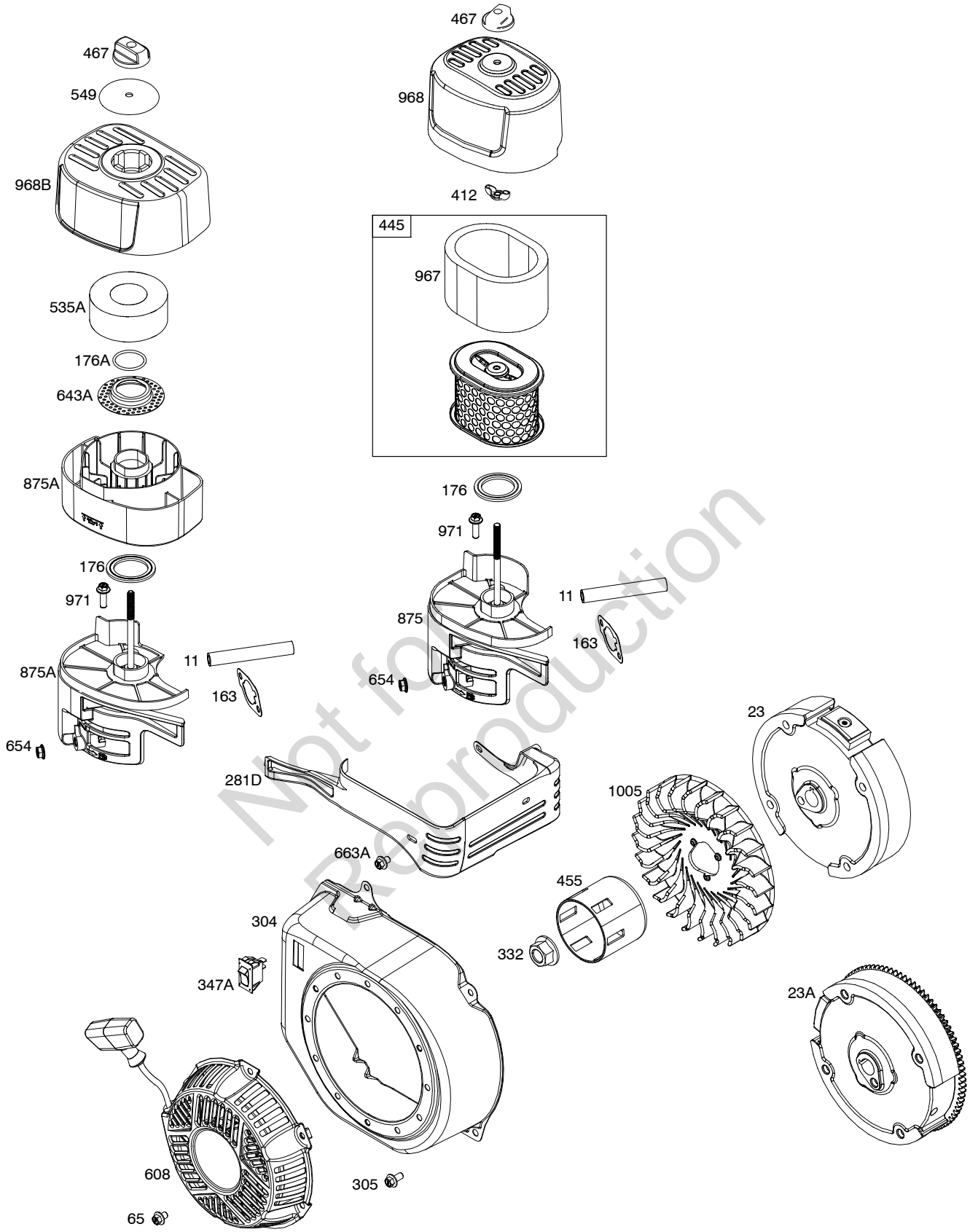


*Illustrations cover a range of engines. Parts shown without text may not be used on your specific engine.*

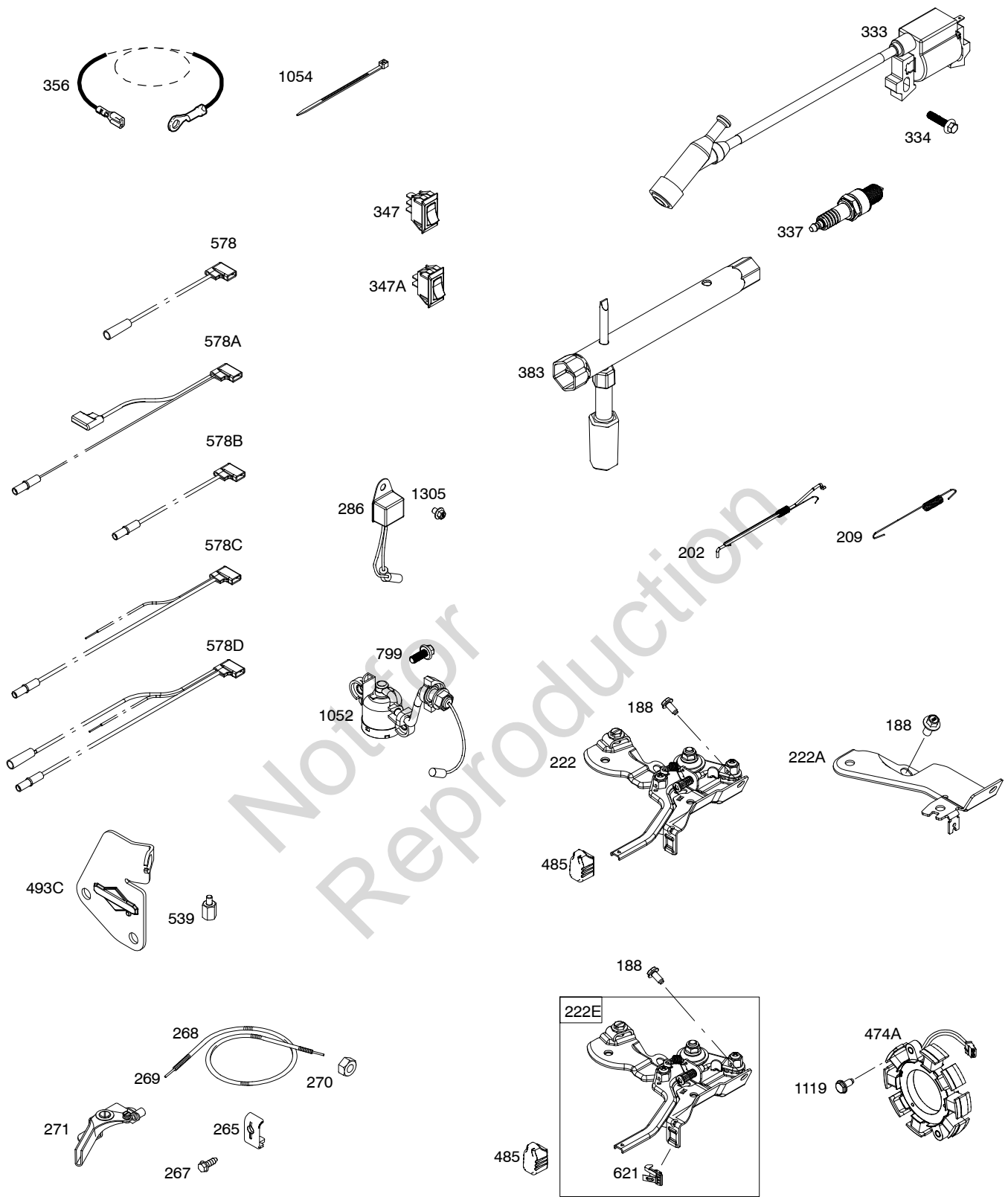


*Illustrations cover a range of engines. Parts shown without text may not be used on your specific engine.*

# 130G00



*Illustrations cover a range of engines. Parts shown without text may not be used on your specific engine.*



*Illustrations cover a range of engines. Parts shown without text may not be used on your specific engine.*

# 130G00

REF. NO.	PART NO.	DESCRIPTION	REF. NO.	PART NO.	DESCRIPTION	REF. NO.	PART NO.	DESCRIPTION
1	592916	Cylinder Assembly ----- Note ----- 592925 Cylinder Assembly Used on Type No(s). 0002, 0003, 0004, 0005, 0014, 0015, 0016, 0019, 0022, 0024, 0026, 0028, 0031, 0035, 0041, 0042, 0067, 0069, 0071, 0072, 0074, 0075, 0077, 0079, 0081, 0082, 0083, 0084, 0086, 0087, 0088, 0093, 0096, 0097, 0101, 0102, 0105, 0109, 0110, 0114, 0117, 0119, 0122, 0123, 0126, 0128, 0131, 0224, 0226.			594254 Crankshaft Used on Type No(s). 0072. 594386 Crankshaft Used on Type No(s). 0079, 0083, 0084, 0096.			592956 Piston Assembly (.020" Oversize) Used on Type No(s). 0015, 0021, 0022, 0040, 0056, 0061, 0063, 0064, 0067, 0069, 0075, 0077, 0082, 0092, 0093, 0101, 0110, 0112, 0115, 0121, 0122, 0124, 0126, 0127, 0128, 0132.
3	590712	Seal-Oil (Magneto Side)	17	590715	Bearing-Ball	26	591452	Ring Set (Standard) ----- Note ----- 592957 Ring Set (Standard) Used on Type No(s). 0015, 0021, 0022, 0040, 0056, 0061, 0063, 0064, 0067, 0069, 0075, 0077, 0082, 0092, 0093, 0101, 0110, 0112, 0115, 0121, 0122, 0124, 0126, 0127, 0128, 0132.
5	591454	Head-Cylinder	18C	592296	Cover-Crankcase ----- Note ----- 592963 Cover-Crankcase Used on Type No(s). 0003, 0015, 0020, 0087, 0122. 593074 Cover-Crankcase Used on Type No(s). 0030, 0035, 0037, 0042, 0044, 0047, 0048, 0055, 0059, 0060, 0064, 0071, 0072, 0074, 0077, 0082, 0083, 0086, 0089, 0094, 0095, 0111, 0117, 0120, 0123, 0131.			591552 Ring Set (.020" Oversize) 592958 Ring Set (.020" Oversize) Used on Type No(s). 0015, 0021, 0022, 0040, 0056, 0061, 0063, 0064, 0067, 0069, 0075, 0077, 0082, 0092, 0093, 0101, 0110, 0112, 0115, 0121, 0122, 0124, 0126, 0127, 0128, 0132.
7	591445	Gasket-Cylinder Head	20	590712	Seal-Oil (PTO Side)	27	590664	Lock-Piston Pin
11	590698	Tube-Breather	22	590714	Screw (Crankcase Cover/Sump)	28	590663	Pin-Piston
12	590608	Gasket-Crankcase	23	590681	Flywheel	29	590665	Rod-Connecting
13	590639	Screw (Cylinder Head)	23A	591534	Flywheel	33	591448	Valve-Exhaust
15	590678	Plug-Oil Drain	24	797286	Key-Flywheel	34	591447	Valve-Intake
16	591520	Crankshaft ----- Note ----- 592924 Crankshaft Used on Type No(s). 0002, 0024, 0027, 0028, 0029, 0030, 0035, 0042, 0077, 0089, 0111, 0117, 0120, 0224, 0229. 592933 Crankshaft Used on Type No(s). 0004, 0069, 0087. 592959 Crankshaft Used on Type No(s). 0020, 0127. 593075 Crankshaft Used on Type No(s). 0031, 0075, 0094, 0097, 0109, 0128. 593367 Crankshaft Used on Type No(s). 0044, 0055, 0059, 0060, 0071, 0074, 0086, 0102, 0104, 0123, 0131.	25	591451	Piston Assembly (Standard) ----- Note ----- 592955 Piston Assembly (Standard) Used on Type No(s). 0015, 0021, 0022, 0040, 0056, 0061, 0063, 0064, 0067, 0069, 0075, 0077, 0082, 0092, 0093, 0101, 0110, 0112, 0115, 0121, 0122, 0124, 0126, 0127, 0128, 0132. 591551 Piston Assembly (.020" Oversize)	35	590650	Spring-Valve (Intake)
						36	590650	Spring-Valve (Exhaust)

Illustrations cover a range of engines. Parts shown without corresponding text may not be used on your specific engine.  
10459-8 Assemblies include all parts shown in frames. 09/16/2015



REF. NO.	PART NO.	DESCRIPTION	REF. NO.	PART NO.	DESCRIPTION	REF. NO.	PART NO.	DESCRIPTION
37D	592865	Guard-Flywheel	190A	591476	Screw (Fuel Tank)	221	590676	Cup-Governor
37E	594473	Guard-Flywheel				222	592413	Bracket-Control
40	590654	Retainer-Valve	202	592866	Link-Mechanical Governor	222A	591614	Bracket-Control Used on Type No(s). 0079, 0083, 0084, 0096, 0097.
45	591449	Tappet-Valve	209	590625	Spring-Governor (Blue)	222E	593204	Bracket-Control Used on Type No(s). 0006, 0007, 0032, 0034, 0036, 0037, 0044, 0047, 0048, 0061, 0062, 0064, 0068, 0082, 0095, 0104, 0115, 0120, 0127.
46	593289	Camshaft			----- Note ----- 590626 Spring - Governor (Red) (Used After Code Date 14050100) Used on Type No(s). 0008, 0018, 0022, 0032, 0036, 0091.			
51	590612	Gasket-Intake			590625 Spring - Governor (Blue) (Used Before Code Date 14050200) Used on Type No(s). 0008, 0018, 0022, 0032, 0036.	227	590660	Lever-Governor Control
51A	590613	Gasket-Intake				238	590649	Cap-Valve
53	590691	Stud (Carburetor)				254	592493	Drain-Carburetor Bowl
65	590683	Screw (Rewind Starter)				265	691024	Clamp-Casing
78	590643	Screw (Flywheel Guard)				267	699492	Screw (Casing Clamp)
104B	592486	Pin-Float Hinge				268	691025	Casing-Control Wire (Cut To Required Length)
117	592875	Jet-Main (Standard)				269	691026	Wire-Control (Cut To Required Length)
		----- Note ----- 592917 Jet-Main (Standard) Used on Type No(s). 0032, 0034, 0036, 0039, 0044, 0055, 0057, 0059, 0086.				270	691027	Nut (Control Wire Casing)
118	593359	Jet-Main (High Altitude)				271	691028	Lever-Control
		----- Note ----- 593360 Jet-Main (High Altitude) Used on Type No(s). 0032, 0034, 0036, 0039, 0044, 0055, 0057, 0059, 0086.				281D	592863	Panel-Control
121B	591770	Kit-Carburetor Overhaul				286	590702	Module-Oil Sensor
122	590615	Spacer-Carburetor				287	590850	Screw (Dipstick Tube)
125A	592864	Carburetor				287A	790557	Screw (Dipstick Tube)
		----- Note ----- 593351 Carburetor Used on Type No(s). 0032, 0034, 0036, 0039, 0044, 0055, 0057, 0059, 0086.				296	590631	Stud (Muffler)
		593410 Carburetor Used on Type No(s). 0071, 0072, 0079, 0097, 0109, 0224, 0225, 0226, 0229.				300C	592861	Muffler
155	592874	Plate-Cylinder Head				304	590724	Housing-Blower ----- Note ----- 590725 Housing- Blower Used on Type No(s). 0006, 0007, 0018, 0032, 0034, 0036, 0037, 0044, 0047, 0048, 0061, 0062, 0064, 0068, 0082, 0092, 0095, 0104, 0115, 0120, 0127.
163	590605	Gasket-Air Cleaner				305	590850	Screw (Blower Housing)
176	590695	Seal-O Ring (Air Cleaner Base)						
176A	793441	Seal-O Ring (Air Cleaner Base)	220	590677	Washer (Governor Gear) (.020" Thick)			
187C	592867	Line-Fuel (Formed Hose)	220A	590675	Washer (Governor Gear) (.040" Thick)			
188	590850	Screw (Control Bracket)						

**Illustrations cover a range of engines. Parts shown without corresponding text may not be used on your specific engine.**  
**10459-9 Assemblies include all parts shown in frames. 09/16/2015**

# 130G00

REF. NO.	PART NO.	DESCRIPTION	REF. NO.	PART NO.	DESCRIPTION	REF. NO.	PART NO.	DESCRIPTION
306	590636	Shield-Cylinder	562	590640	Bolt (Governor Control Lever)	799	590703	Screw (Oil Sensor)
307	590683	Screw (Cylinder Shield)	578	590690	Wire Assembly	830	590653	Stud-Rocker Arm
332	590635	Nut (Flywheel)	578A	590689	Wire Assembly	832C	592862	Guard-Muffler
333	590603	Armature-Magneto	578B	592247	Wire Assembly Used on Type No(s). 0018, 0092.	832D	592918	Guard-Muffler
334	590644	Screw (Magneto Armature)	578C		Wire Assembly (For Replacement Wire Assembly, Order Reference 578D) Used on Type No(s). 0082.	836B	590683	Screw (Muffler Guard)
337	491055s	Plug-Spark (Resistor) ----- Note ----- 691043 Plug-Spark (EMS)	578D	590722	Wire Assembly Used on Type No(s). 0006, 0007, 0032, , 0034, 0036, 0037, 0044, 0047, 0048, 0061, 0062, 0064, 0068, 0095, 0104, 0115, 0120, 0127.	836C	590850	Screw (Muffler Guard)
346	699203	Screw (Spark Arrestor)	598	594475	Shim-End Play (Crankshaft or Camshaft Bearing) (For Pump Applications Only)	847	591444	Dipstick/Tube Assembly
347	697854	Switch-Rocker	601	791850	Clamp-Hose	868	590648	Seal-Valve (Intake)
347A	795333	Switch-Rocker	608	590607	Starter-Rewind ----- Note ----- 593368 Starter- Rewind Used on Type No(s). 0056, 0061, 0062, 0077, 0091.	875	590693	Base-Air Cleaner
356	695630	Wire-Stop	614	590670	Pin-Cotter	875A	593362	Base-Air Cleaner
357	798305	Key-Drive Pulley ----- Note ----- 590719 Key-Drive Pulley Used on Type No(s). 0002, 0024, 0027, 0028, 0029, 0030, 0035, 0042, 0044, 0055, 0059, 0060, 0071, 0074, 0086, 0089, 0102, 0111, 0117, 0120, 0123, 0131, 0224, 0229.	621	692310	Switch-Stop	883A	591156	Gasket-Exhaust
358A	591565	Gasket Set-Engine	643A	593363	Retainer-Air Filter	914	590850	Screw (Rocker Cover)
383	590721	Wrench-Spark Plug	654	590692	Nut (Carburetor)	951	590614	Lever-Choke
404	590669	Washer (Governor Crank)	663A	590850	Screw (Control Panel)	957	799324	Cap-Fuel Tank
412	590697	Nut (Air Cleaner Cover)	676B	393760	Deflector-Muffler	957A	794641	Cap-Fuel Tank
445	590601	Filter-Air Cleaner Cartridge	676C	697816	Deflector-Muffler	967	590602	Filter-Pre Cleaner
455	590682	Cup-Flywheel	677	699203	Screw (Muffler Deflector)	968	590694	Cover-Air Cleaner
467	691985	Knob-Air Cleaner Cover	677A	699776	Screw (Muffler Deflector)	968B	593364	Cover-Air Cleaner
474A	591533	Alternator (60W A/C Only)	705	592620	Nut (Fuel Tank)	971	590643	Screw (Air Cleaner Base to Carburetor/Throttle Body)
485	797339	Knob-Control	718	590637	Pin-Locating (Cylinder Head)	972C	592877	Tank-Fuel
493C	593449	Bracket-Mounting	718A	590713	Pin-Locating (Crankcase Cover)	972E	592954	Tank-Fuel Used on Type No(s). 0015, 0021, 0022, 0040, 0056, 0061, 0063, 0064, 0067, 0069, 0075, 0077, 0082, 0092, 0093, 0101, 0110, 0112, 0115, 0121, 0122, 0124, 0126, 0127, 0128, 0132.
505	590641	Nut (Governor Control Lever)				994A	593207	Arrestor-Spark Used on Type No(s). 0030, 0047, 0095, 0096, 0120.
522	590716	Plug-Dipstick/Fill				994B	790153	Arrestor-Spark
535A	792472	Filter-Air Cleaner Foam				994D	793985	Arrestor-Spark
539	593448	Stud (Fuel Injector Rail)				1005	590679	Fan-Flywheel
549	593365	Washer (Air Cleaner)				1022	797194	Gasket-Rocker Cover
						1023A	592903	Cover-Rocker
						1026	590658	Rod-Push
						1029	590651	Arm-Rocker
						1036		Label-Emissions (Available From A Briggs & Stratton Authorized Dealer)

Illustrations cover a range of engines. Parts shown without corresponding text may not be used on your specific engine.  
10459-10 Assemblies include all parts shown in frames. 09/16/2015

# 130G00

REF. NO.	PART NO.	DESCRIPTION	REF. NO.	PART NO.	DESCRIPTION	REF. NO.	PART NO.	DESCRIPTION
1052	590671	Sensor-Oil	1177	590632	Nut (Muffler)	1319A	797669	Label-Warning
1054	280275	Tie-Cable	1305	590683	Screw (Oil Sensor Module)	1345A	792917	Filter-Filler Neck
1119	590644	Screw (Alternator)	1319	794467	Label-Warning	1449	590633	Washer (Muffler)
						1509	797346	Outlet-Tank

Not for  
Reproduction

Not for  
Reproduction

