



19L200

Illustrated Parts List

Model Series

19L200

TYPE NUMBERS

0003, 0004, 0006, 0008, 0009, 0010, 0011, 0012, 0013, 0014, 0036, 0037, 0042, 0049, 0050, 0110, 0111, 0012, 0114, 0116, 0117, 0118, 0119, 0120, 0122, 0123, 0125, 0126, 0127, 0128, 0134, 0135, 0314, 0315, 0316, 0317, 0319, 0320, 0321, 0322.

Not for
Reproduction



PRINTED IN U.S.A.

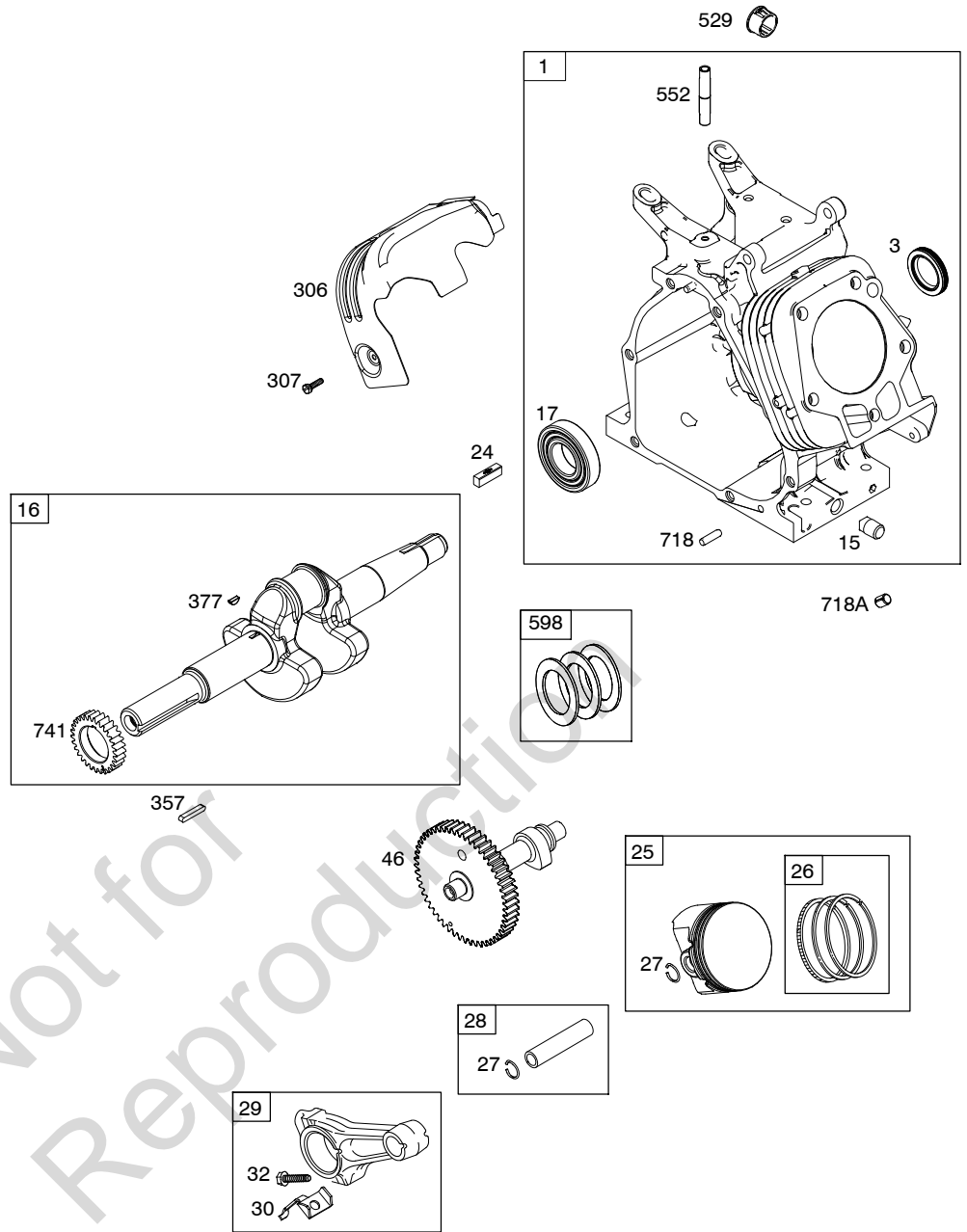
COPYRIGHT by BRIGGS & STRATTON CORPORATION
All rights reserved. No part of this material may be reproduced or transmitted, in any form or by any means, electronic or mechanical, including photocopying, recording or by any information storage and retrieval system, without permission in writing from Briggs & Stratton Corporation.

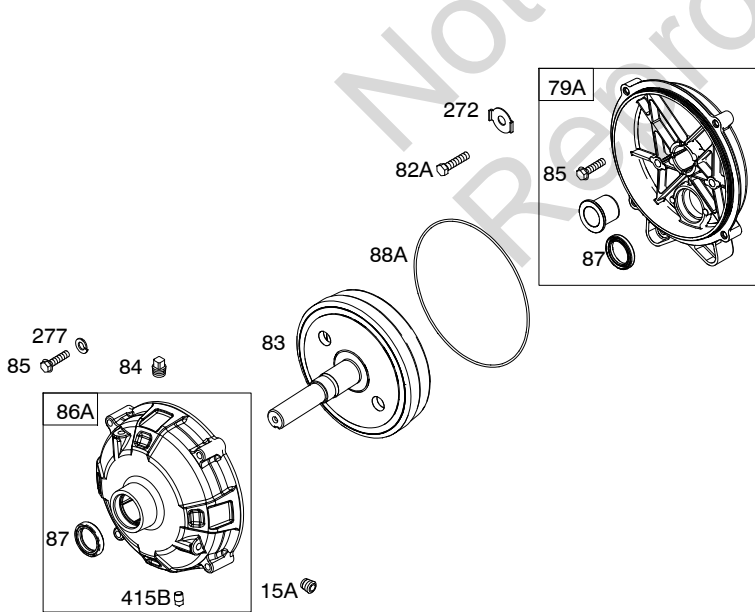
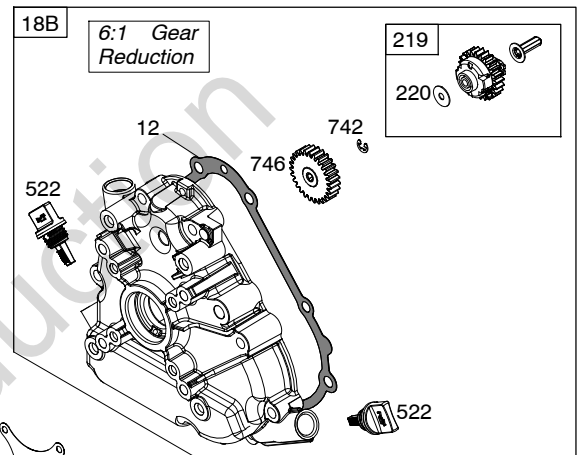
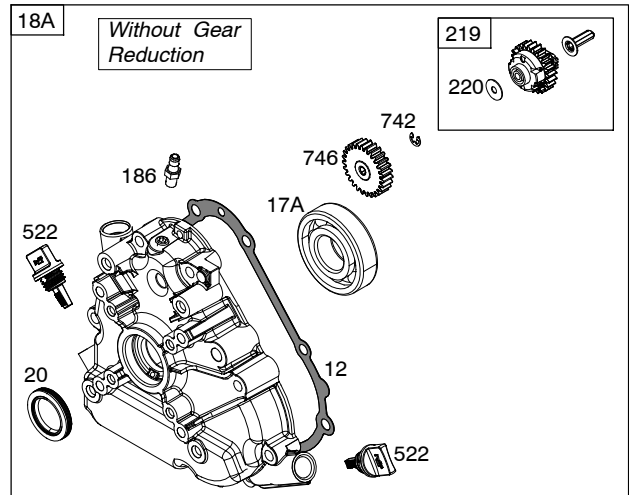
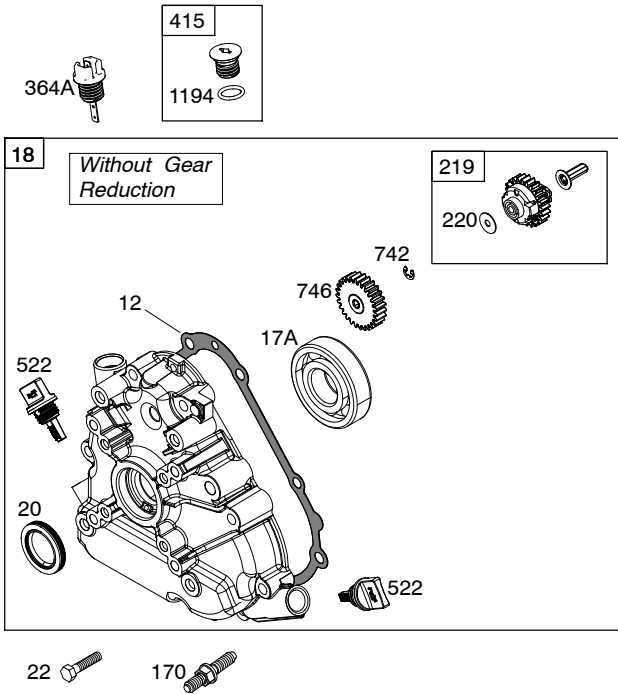
19L200

1036 EMISSIONS LABEL

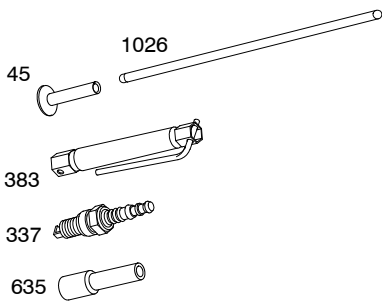
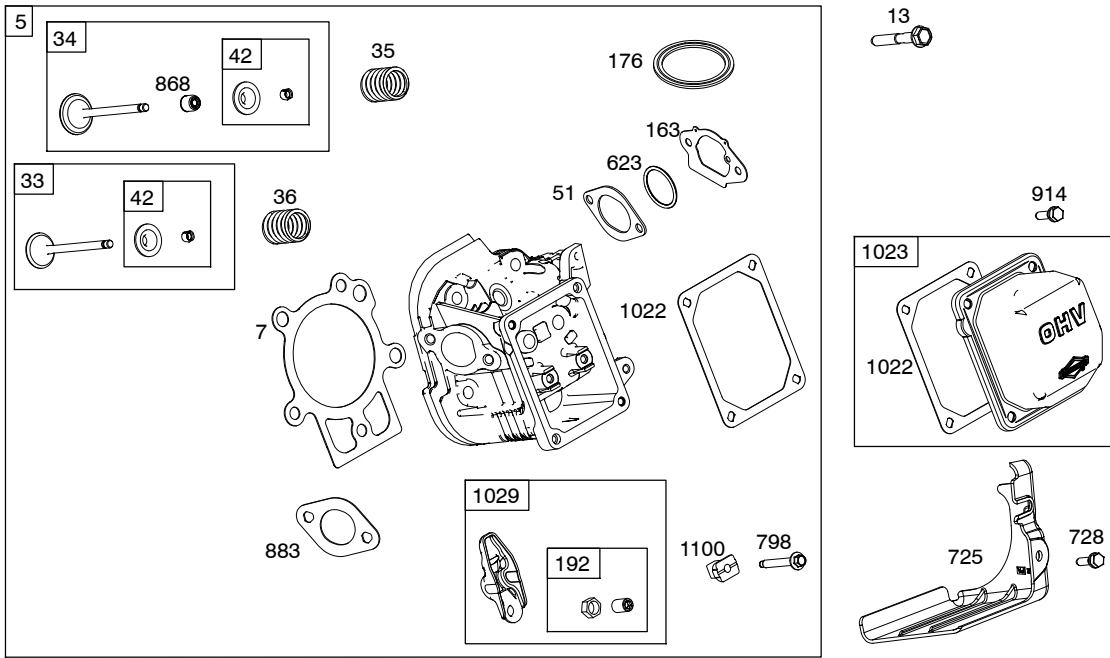
1319 WARNING LABEL

1319A WARNING LABEL

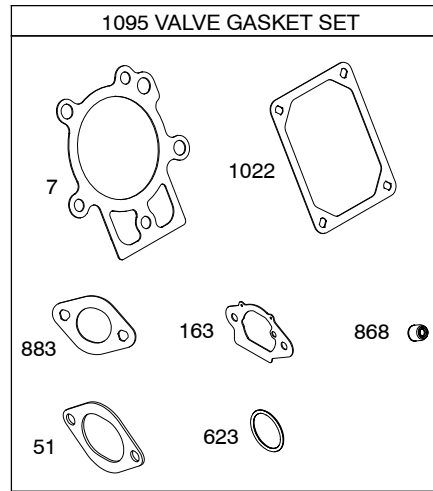
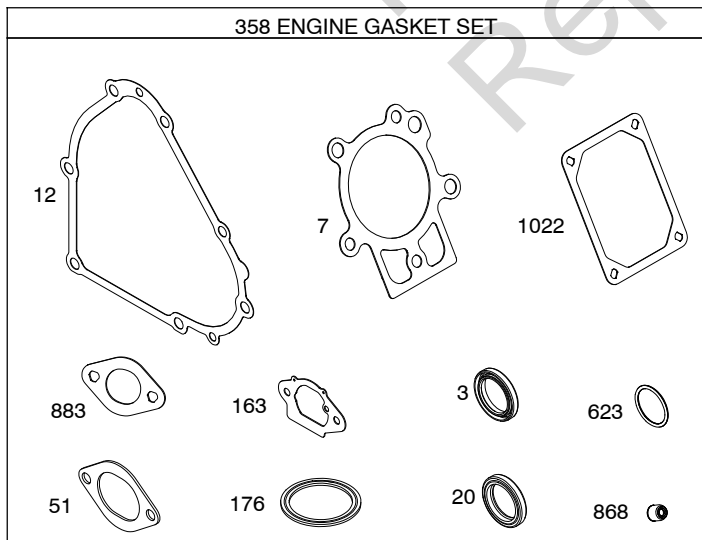




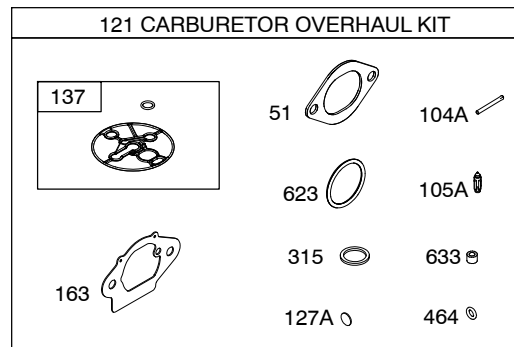
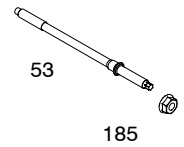
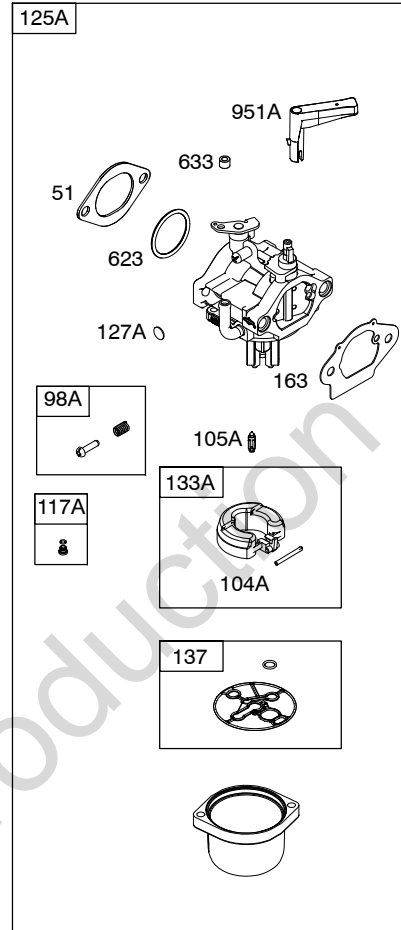
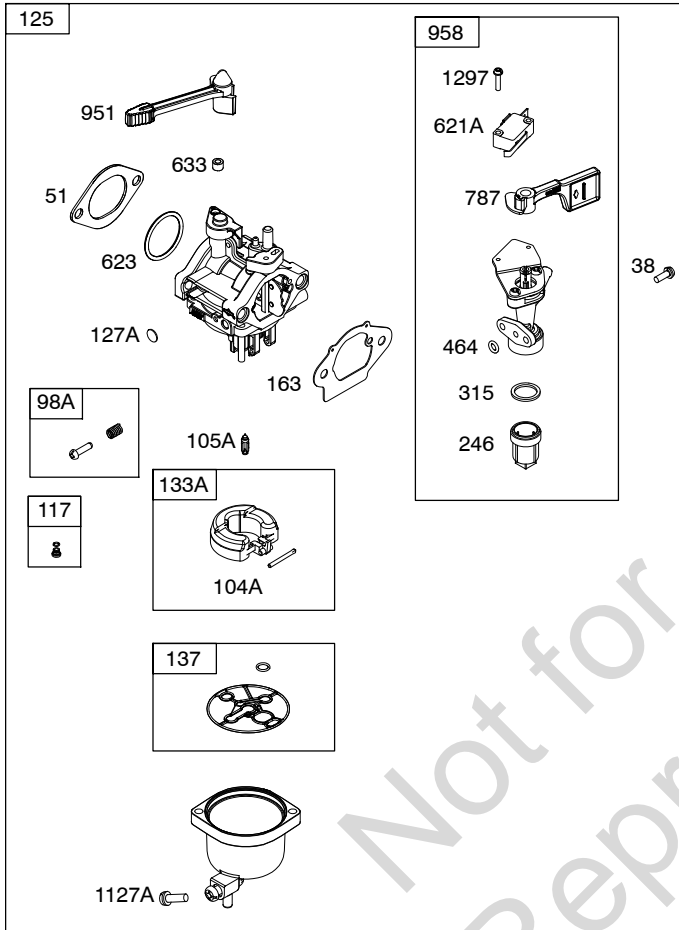
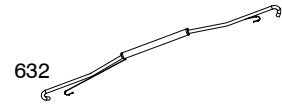
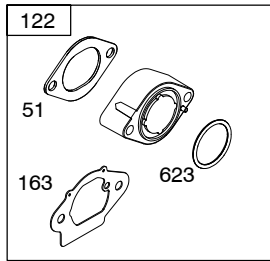
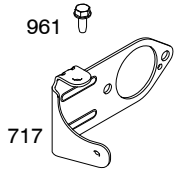
19L200

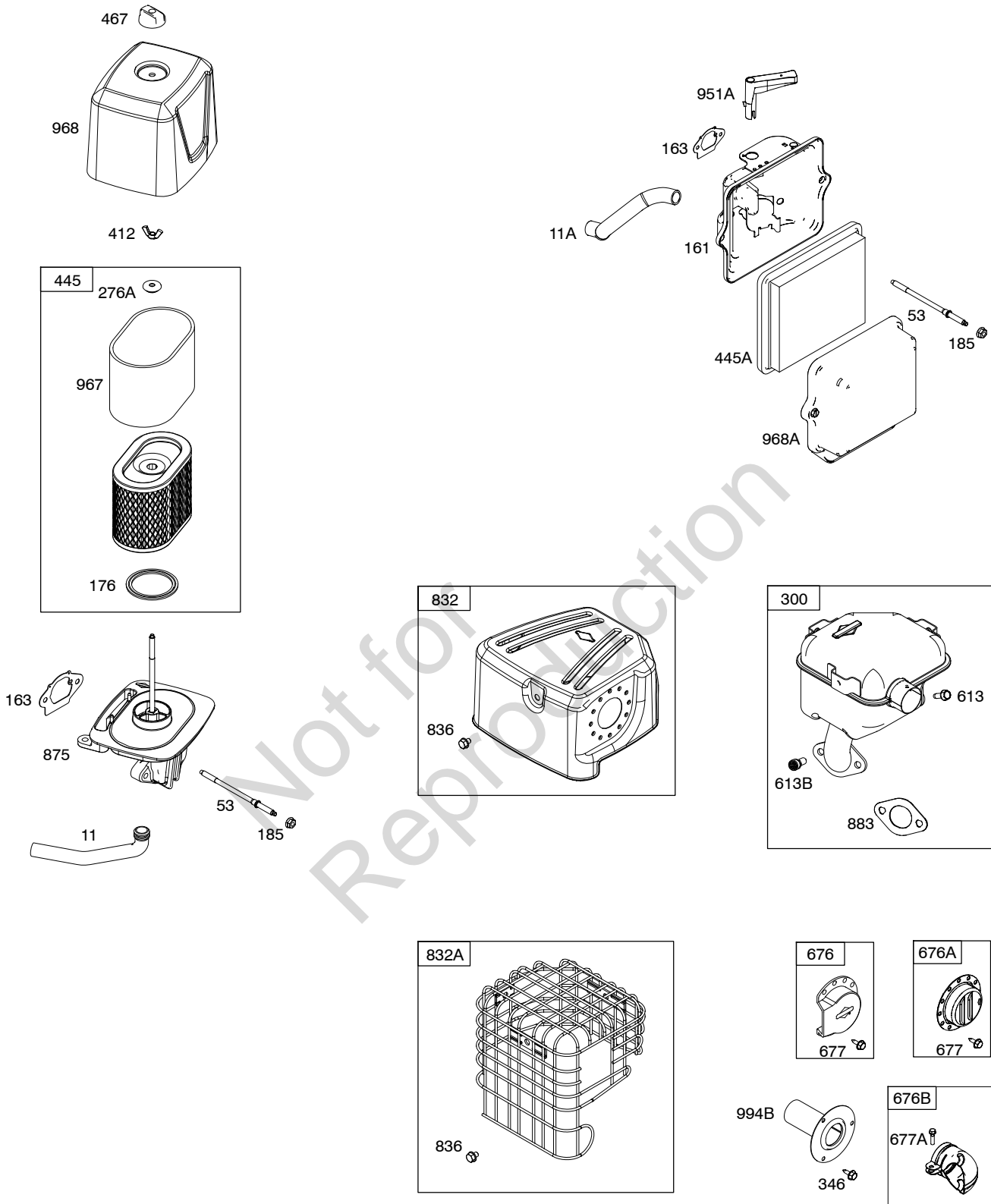


Not for
Reproduction

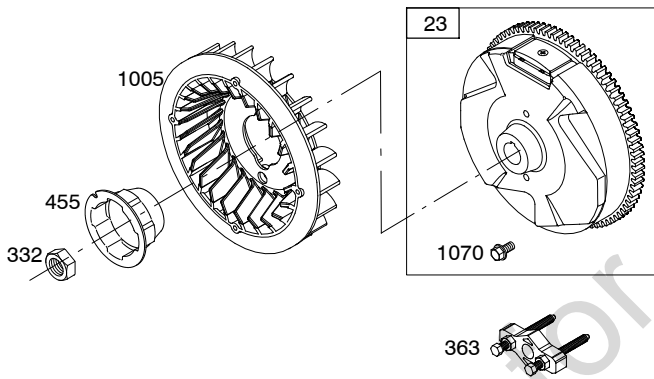
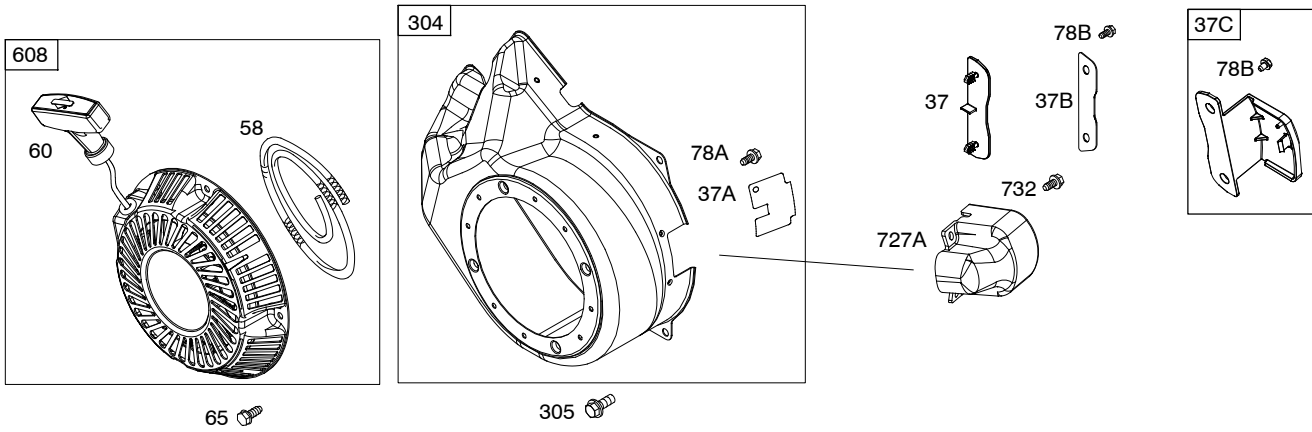


Illustrations cover a range of engines. Parts shown without corresponding text may not be used on your specific engine.
10309-4 **Assemblies include all parts shown in frames.** **05/29/2015**



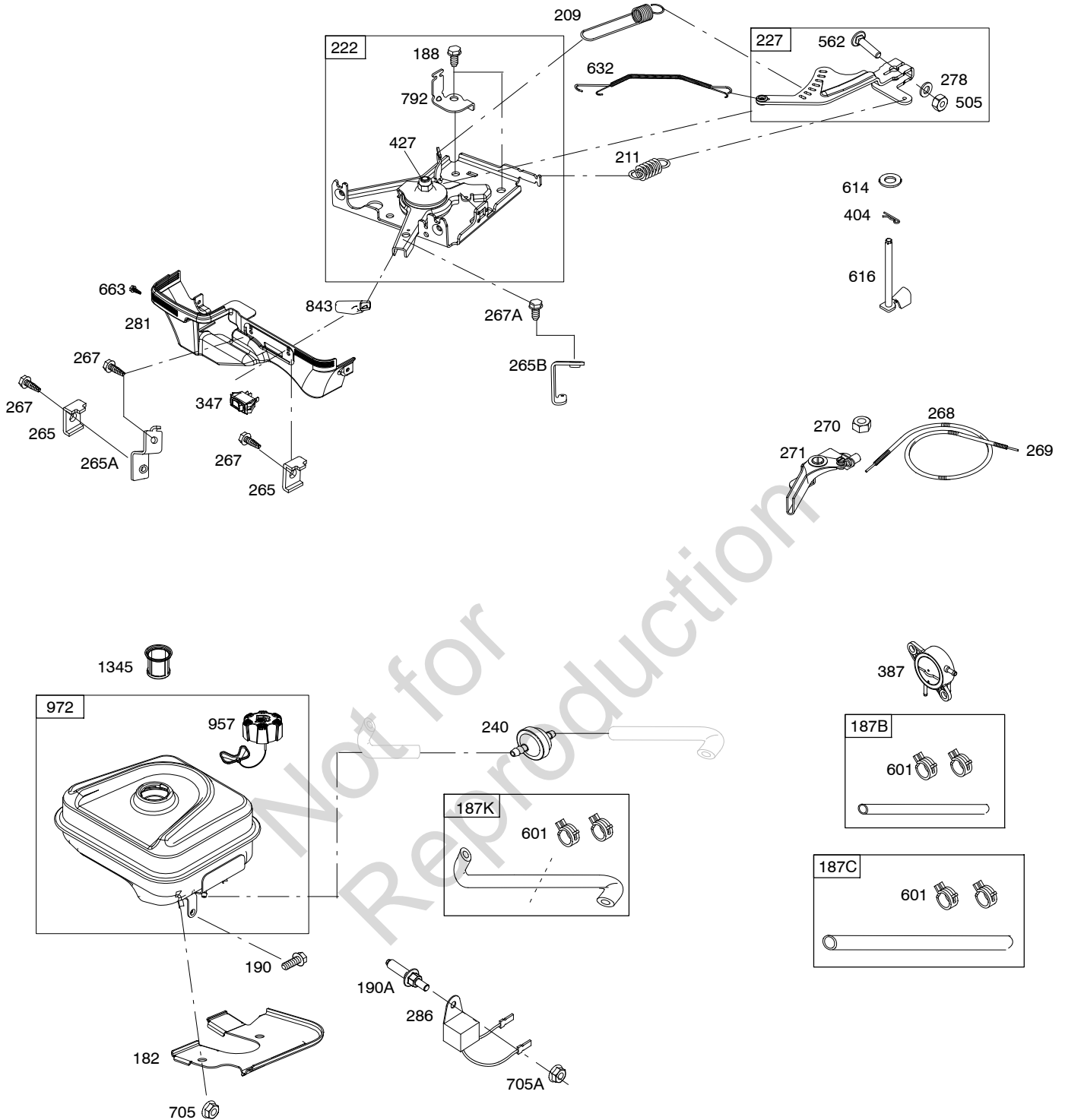


Illustrations cover a range of engines. Parts shown without corresponding text may not be used on your specific engine.
 10309-6 Assemblies include all parts shown in frames. 05/29/2015



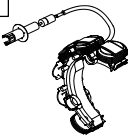


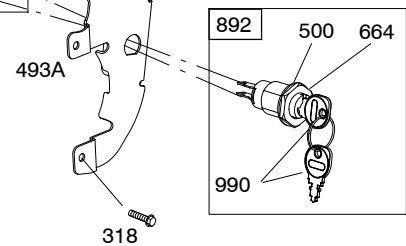
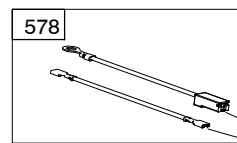
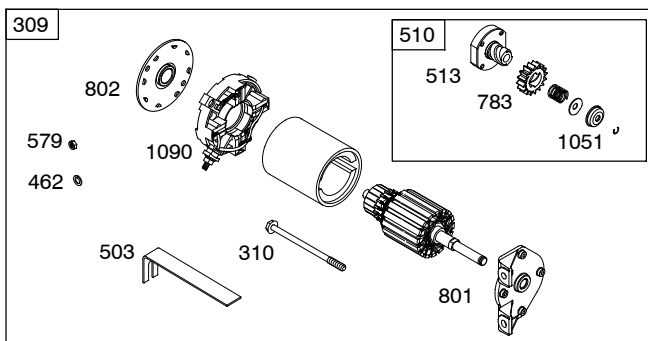
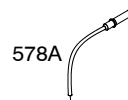
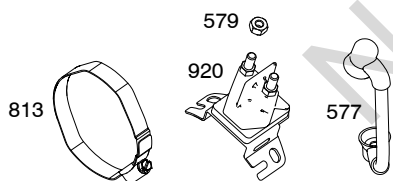
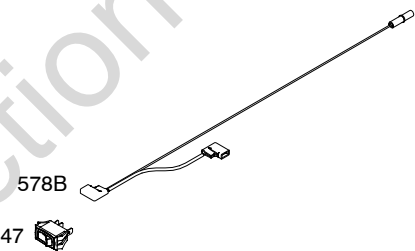
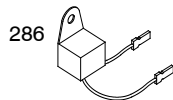
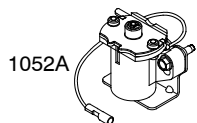
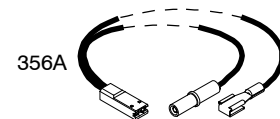
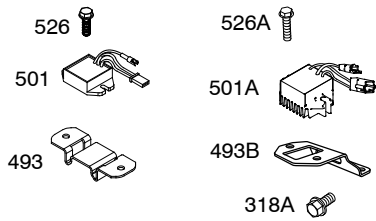
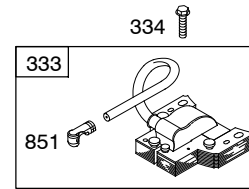
Not for
Reproduction

19L200



Illustrations cover a range of engines. Parts shown without corresponding text may not be used on your specific engine.
10309-8 Assemblies include all parts shown in frames. 05/29/2015

10-16 AMP	20 AMP	3 AMP. DC
474D 	474E 	474G 



Illustrations cover a range of engines. Parts shown without corresponding text may not be used on your specific engine.
 10309-9 Assemblies include all parts shown in frames. 05/29/2015

19L200

REF. NO.	PART NO.	DESCRIPTION	REF. NO.	PART NO.	DESCRIPTION	REF. NO.	PART NO.	DESCRIPTION
1	799046	Cylinder Assembly	17	798993	Bearing-Ball	23	794814	Flywheel
3	798991	Seal-Oil (Magneto Side)	17A	798995	Bearing-Ball			Used on Type No(s). 0003, 0006, 0008,
5	799858	Head-Cylinder	18	799084	Cover-Crankcase Used on Type No(s).			0009, 0012, 0036,
7	694872	Gasket-Cylinder Head			0003, 0004, 0006,			0037, 0049, 0050,
11	798964	Tube-Breather			0008, 0009, 0010,			0110, 0111, 0112,
11A	696796	Tube-Breather Used on Type No(s). 0011, 0012.			0011, 0012, 0013,			0120, 0123, 0125,
12	798807	Gasket-Crankcase			0014, 0135, 0036,			0127, 0135, 0314,
13	794829	Screw (Cylinder Head)			0037, 0042, 0050,			0315, 0316, 0317,
15	691686	Plug-Oil Drain			0110, 0111, 0112,			0319, 0320.
15A	691682	Plug-Oil Drain			0114, 0116, 0117,			----- Note -----
16	796957	Crankshaft Used on Type No(s). 0004, 0006, 0009, 0013, 0014, 0037, 0110, 0112, 0116, 0118, 0119, 0122, 0127, 0135, 0314, 0317, 0319.			0118, 0119, 0120,			795497 Flywheel
		----- Note -----			0122, 0123, 0125,			Used on Type No(s). 0010, 0014, 0116,
		590368 Crankshaft Used on Type No(s). 0003, 0010, 0050, 0036, 0117, 0134.			0127, 0128, 0134,			0118, 0122, 0126,
		794721 Crankshaft Used on Type No(s). 0049.			0135, 0314, 0315,			0134.
		590880 Crankshaft Used on Type No(s). 0042, 0114, 0123.	18A	799753	Cover-Crankcase Used on Type No(s). 0126.			794812 Flywheel
		799769 Crankshaft Used on Type No(s). 0120, 0128, 0316, 0321.			0320, 0321, 0322.			Used on Type No(s). 0004, 0011, 0013,
		796958 Crankshaft Used on Type No(s). 0008, 0011, 0012, 0315, 0320, 0322.	18B	590886	Cover-Crankcase Used on Type No(s). 0049.			0042, 0114, 0117,
		799768 Crankshaft Used on Type No(s). 0125.			0049.			0119, 0128, 0317,
		799720 Crankshaft Used on Type No(s). 0126.	20	798991	Seal-Oil (PTO Side)	24	222698S	Key-Flywheel
			22	798955	Screw (Crankcase Cover/Sump)	25	792117	Piston Assembly (Standard)
								----- Note -----
								792144 Piston Assembly (.020" Oversize)
								26 792026 Ring Set (Standard)
								----- Note -----
								792073 Ring Set (.020" Oversize)
								27 690975 Lock-Piston Pin
								28 696581 Pin-Piston
								29 694691 Rod-Connecting
								30 694692 Dipper-Connecting Rod
								32 690976 Screw (Connecting Rod)
								33 697576 Valve-Exhaust
								34 792200 Valve-Intake
								35 694865 Spring-Valve (Intake)

Illustrations cover a range of engines. Parts shown without corresponding text may not be used on your specific engine.

REF. NO.	PART NO.	DESCRIPTION	REF. NO.	PART NO.	DESCRIPTION	REF. NO.	PART NO.	DESCRIPTION
36	694865	Spring-Valve (Exhaust)	118A	796128	Jet-Main (High Altitude)	192	690083	Adjuster-Rocker Arm
37	795715	Guard-Flywheel (Snap-on)			Used on Type No(s). 0011, 0012.	209	798959	Spring-Governor Used on Type No(s). 0003, 0004, 0006, 0009, 0013, 0014, 0036, 0037, 0049, 0110, 0111, 0112, 0117, 0118, 0119, 0122, 0123, 0125, 0126, 0127, 0135, 0314, 0315, 0316, 0317, 0319, 0320, 0321, 0322.
37A	699047	Guard-Flywheel (Used Before Code Date 12080600).	121	799722	Kit-Carburetor Overhaul			
37B	790730	Guard-Flywheel (Used Before Code Date 12080600).	122	799766	Spacer-Carburetor			
37C	591544	Guard-Flywheel (Used After Code Date 12080500).	125	799060	Carburetor			
38	698557	Screw (Fuel Shut Off Valve)	125A	591378	Carburetor Used on Type No(s). 0011, 0012.			
42	499586	Keeper-Valve	127A	690727	Plug-Welch			
45	690977	Tappet-Valve	133A	694914	Valve-Throttle			
46	795697	Camshaft	137	799991	Gasket-Float Bowl Used on Type No(s). 0011, 0012.			
51	590396	Gasket-Intake	161	794767	Base-Air Cleaner			
53	798988	Stud (Carburetor)	163	798965	Gasket-Air Cleaner			
58	66574	Rope-Starter (Cut To Required Length)	170	794833	Stud (Crankcase Cover/Sump)			
60	490652	Grip-Starter Rope	176	798962	Gasket-Air Cleaner (Air Cleaner Base)			
65	699228	Screw (Rewind Starter)	182	799735	Bracket-Fuel Tank			
78A	699205	Screw (Flywheel Guard)	185	794838	Nut (Air Cleaner Base)			
78B	795026	Screw (Flywheel Guard)	186	691764	Connector-Hose			
79A	794816	Case-Gear Reduction	187B	791766	Line-Fuel (15 Inches Long) (Cut to Required Length)			
80A	793588	Gasket-Gear Case	187C	791745	Line-Fuel (23 Inches Long) (Cut To Required Length)			
82A	594700	Screw (Gear Reduction Case)	187K	799059	Line-Fuel (Formed Hose) (Cut To Required Length)	211	798960	Spring-Governed Idle
83	690387	Shaft-Auxiliary Drive	188	699479	Screw (Control Bracket)	219	693578	Gear-Governor
84	691121	Plug-Breather	190	798496	Screw (Fuel Tank)	220	691724	Washer (Governor Gear)
85	794820	Screw	190A	799725	Screw (Fuel Tank) (Used with Oil Sensor Module)	222	798478	Bracket-Control
86A	793591	Cover-Gear				227	799049	Lever-Governor Control
87	391086S	Seal-Gear Reduction				240	394358S	Filter-Fuel
88A	793589	Gasket-Gear Reduction Cover				246	799008	Bowl-Fuel Filter
98A	695408	Kit-Idle Speed				265	691024	Clamp-Casing
104A	694918	Pin-Float Hinge				265A	591740	Clamp-Casing
105A	696136	Valve-Float Needle				265B	591741	Clamp-Casing
117	698788	Jet-Main (Standard)				267	699492	Screw (Casing Clamp)
117A	796080	Jet-Main Used on Type No(s). 0011, 0012.				267A	699228	Screw (Casing Clamp)
118	799134	Jet-Main (High Altitude)						

----- Note -----

590376 Spring-Governor

Used on Type No(s).
0042, 0116.

799058 Spring-Governor

Used on Type No(s).
0050, 0114, 0120,
0128, 0134.

594646 Spring-Governor

Used on Type No(s).
0008, 0011, 0012.

798472 Spring-Governor

Used on Type No(s).
0010.

211 798960 Spring-Governed Idle

219 693578 Gear-Governor

220 691724 Washer
(Governor Gear)

222 798478 Bracket-Control

227 799049 Lever-Governor
Control

240 394358S Filter-Fuel

246 799008 Bowl-Fuel Filter

265 691024 Clamp-Casing

265A 591740 Clamp-Casing

265B 591741 Clamp-Casing

267 699492 Screw
(Casing Clamp)267A 699228 Screw
(Casing Clamp)

19L200

REF. NO.	PART NO.	DESCRIPTION	REF. NO.	PART NO.	DESCRIPTION	REF. NO.	PART NO.	DESCRIPTION
268	691025	Casing-Control Wire (Cut To Required Length)	337	491055S	Plug-Spark ----- Note ----- 792015 Plug-Spark	467	691985	Knob-Air Cleaner Cover
269	691026	Wire-Control (Cut To Required Length)			Used on Type No(s). 0010, 0011, 0012, 0013, 0315, 0317, 0320.	474D	695466	Alternator (10-16 Amp Regulated)
270	691027	Nut (Control Wire Casing)	346	794845	Screw (Spark Arrestor)	474E	790320	Alternator (20 Amp Regulated)
271	691028	Lever-Control	347	697854	Switch-Rocker (Stop) Used on Type No(s). 0011, 0012.	474G	695730	Alternator (3 Amp. DC)
272	691168	Lock-Screw Head				493	691177	Bracket-Regulator
276A	798505	Washer-Sealing (Air Cleaner)	356	695630	Wire-Stop	493A	798803	Bracket-Key Switch
277	794842	Washer (Gear Case To Gear Reduction)	356A	799721	Wire-Stop	493B	699048	Bracket-Regulator
278	798196	Washer (Governor Control Lever)	357	590960	Key-Drive Pulley (1/4" Square) ----- Note ----- 591054 Key-Drive Pulley (7 mm Square)	500	691086	Washer (Key Switch)
281	798961	Panel-Control				501	797375	Regulator (10-16 Amp Regulated)
286	594800	Module-Oil Sensor (Used After Code Date 15042700). ----- Note ----- 798796 Module-Oil Sensor (Used Before Code Date 15042800).	358	798800	Gasket Set-Engine	501A	790325	Regulator (20 Amp)
300	798967	Muffler	363	19203	Puller-Flywheel	503	691532	Strap-Starter
304	798994	Housing-Blower	364A	699947	Terminal-Oil Plug	505	793515	Nut (Governor Control Lever)
305	699481	Screw (Blower Housing)	377	690979	Key-Woodruff (Used After Code Date 11103100). ----- Note ----- 798972 Key-Woodruff (Used Before Code Date 11110100).	510	693699	Drive-Starter
306	798992	Shield-Cylinder	383	19576S	Wrench-Spark Plug	513	692024	Drive-Clutch
307	794822	Screw (Cylinder Shield)	387	808656	Pump-Fuel	522	798503	Plug-Dipstick/Fill
309	695479	Motor-Starter	404	795759	Washer (Governor Crank)	526	690297	Screw (10-16 Amp Regulated)
310	690323	Screw (Starter Motor)	412	793443	Wing Nut (Air Cleaner Cover)	526A	690326	Screw (Regulator) (20 Amp)
315	799035	Seal-O-Ring (Filter Bowl)	415	691363	Plug	529	791822	Grommet
318	691693	Screw (Mounting Bracket)	415B	794903	Plug	552	694674	Bushing-Governor Crank
318A	795026	Screw (Mounting Bracket)	427	798458	Nut (Control Bracket)	562	798197	Bolt (Governor Control Lever)
332	794824	Nut (Flywheel)	445	797032	Filter-Air Cleaner Cartridge	577	690795	Cable-Starter
333	591459	Armature-Magneto (Used After Code Date 12042200). ----- Note ----- 492341 Armature- Magneto (Used Before Code Date 12042300).	445A	491588S	Filter-Air Cleaner Cartridge Used on Type No(s). 0011, 0012.	578	798802	Wires-Key Switch
334	699477	Screw (Magneto Armature)	455	794867	Cup-Flywheel	578A	692306	Wire Assembly
			462	691261	Washer (Starter Cable)	578B	590689	Wire Assembly
			464	698550	Seal-O Ring (Fuel Shut-off Valve)	579	691029	Nut
						598	799332	Shim-End Play
						601	791850	Clamp-Hose
						608	798825	Starter-Rewind
						613	794846	Screw (Muffler)
						613B	794844	Screw (Muffler)

Illustrations cover a range of engines. Parts shown without corresponding text may not be used on your specific engine.

19L200

REF. NO.	PART NO.	DESCRIPTION	REF. NO.	PART NO.	DESCRIPTION	REF. NO.	PART NO.	DESCRIPTION
614	691620	Pin-Cotter (Governor Crank)	725	590347	Shield-Heat	958	799073	Valve-Fuel Shut Off
616	795758	Crank-Governor	727A	697465	Cover-Starter Drive	961	699691	Screw (Air Cleaner Bracket)
621A	798636	Switch-Stop (Fuel Shut Off Valve)	728	699481	Screw (Heat Shield)	967	798795	Filter-Pre Cleaner
623	799051	Seal-O Ring (Air Cleaner Elbow To Carburetor)	729	799133	Clip-Wire	968	798963	Cover-Air Cleaner
632	799083	Spring/Link-Mechanical Governor ----- Note ----- 796324 Spring/Link-Mechanical Governor Used on Type No(s). 0011, 0012.	732	699200	Screw (Starter Drive Cover)	968A	794784	Cover-Air Cleaner Used on Type No(s). 0011, 0012.
633	690722	Seal-Choke/Throttle Shaft	741	691288	Gear-Timing	972	799986	Tank-Fuel (Metal)
635	691909	Boot-Spark Plug	742	692564	Retainer-E Ring	990	691959	Key Set
663	699492	Screw (Control Panel)	746	694679	Gear-Idler	994B	796399	Arrester-Spark
664	691087	Nut (Key Switch)	783	693713	Gear-Pinion	1005	794815	Fan-Flywheel
676	796956	Deflector-Muffler	787	798635	Bracket-Fuel Pump	1022	690971	Gasket-Rocker Cover
676A	795336	Deflector-Muffler (Louvered)	792	798550	Bracket-Fixed Speed	1023	697691	Cover-Rocker
677	794845	Screw (Muffler Deflector)	798	697890	Screw (Rocker Arm)	1026	592673	Rod-Push
697	795026	Screw (Drive Cap)	799	699691	Screw (Oil Sensor)	1029	690972	Arm-Rocker
705	690941	Nut (Fuel Tank)	801	694482	Cap-Drive	1036		Label-Emissions (Available From A Briggs & Stratton Authorized Dealer)
705A	794838	Nut (Fuel Tank) (Used with Oil Sensor Module)	802	691286	Cap-End	1051	691265	Ring-Retaining
717	798989	Bracket-Air Cleaner	813	690635	Clamp-Regulator	1052A	794805	Sensor-Oil
718	690959	Pin-Locating (Cylinder Head)	832	799041	Guard-Muffler	1070	794821	Screw (Flywheel Fan)
718A	695178	Pin-Locating (Head)	836	593834	Screw (Muffler Guard)	1090	691293	Retainer-Brush
			843	695588	Sleeve-Lever	1095	798801	Gasket Set-Valve
			851	493880S	Terminal-Spark Plug	1100	791959	Pivot-Rocker Arm
			868	690968	Seal-Valve	1119	699772	Screw (Alternator)
			875	798966	Base-Air Cleaner (Plastic)	1127A	695407	Screw (Float Bowl to Carburetor Body)
			883	695398	Gasket-Exhaust	1194	691876	Seal-O-Ring (Plug)
			892	690646	Switch, Ignition, Key	1297	798637	Screw (Stop Switch)
			914	794827	Screw (Rocker Cover)	1319	794467	Label-Warning
			920	691656	Solenoid-Starter	1319A	797669	Label-Warning
			951	798528	Lever-Choke	1345	792917	Filter-Filler Neck
			951A	699961	Lever-Choke Used on Type No(s). 0011, 0012			
			957	799324	Cap-Fuel Tank (Plastic)			

Illustrations cover a range of engines. Parts shown without corresponding text may not be used on your specific engine.
10308-13 Assemblies include all parts shown in frames. 05/29/2015

Not for
Reproduction

Not for
Reproduction

Not for
Reproduction

