



**386400**

# Illustrated Parts List

## Model Series

# 386400

### TABLE OF CONTENTS

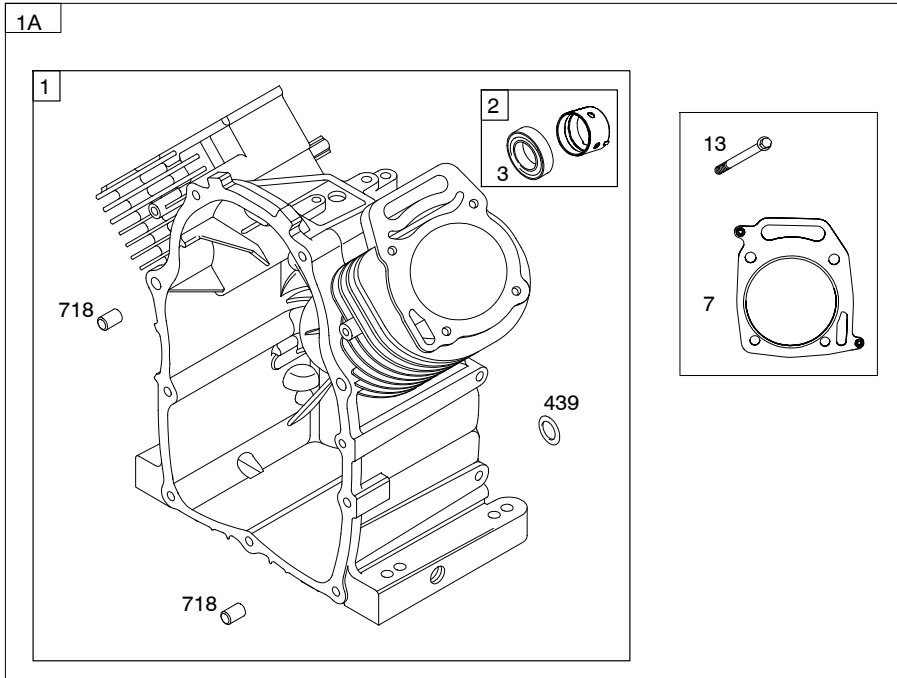
TYPE NUMBERS  
0002 through 3201.

Not for  
Reproduction



PRINTED IN U.S.A.

COPYRIGHT by BRIGGS & STRATTON CORPORATION  
All rights reserved. No part of this material may be reproduced or transmitted, in any form or by any means, electronic or mechanical, including photocopying, recording or by any information storage and retrieval system, without permission in writing from Briggs & Stratton Corporation.



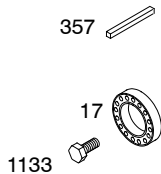
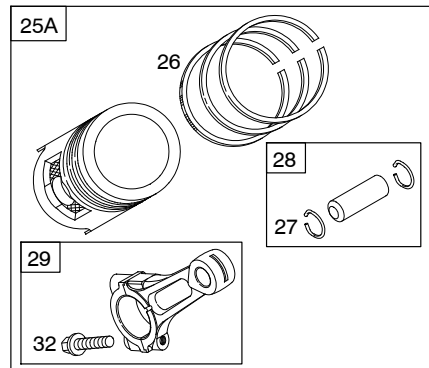
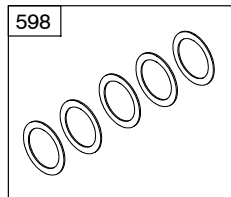
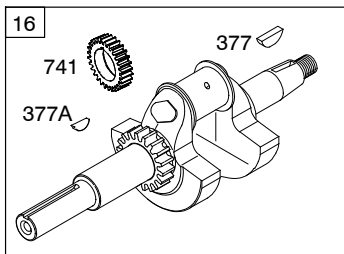
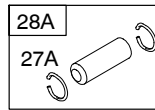
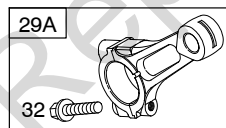
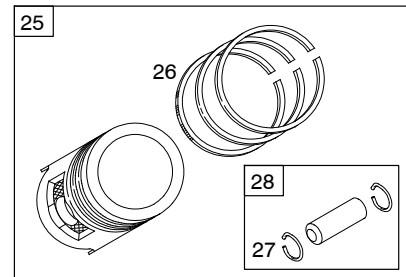
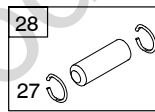
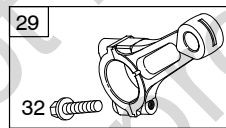
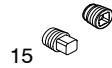
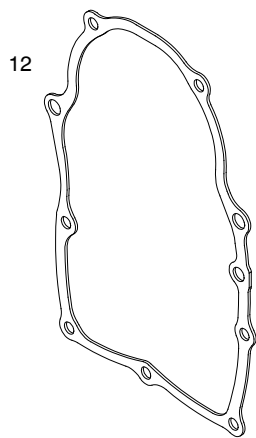
1036 EMISSIONS LABEL

1330 REPAIR MANUAL

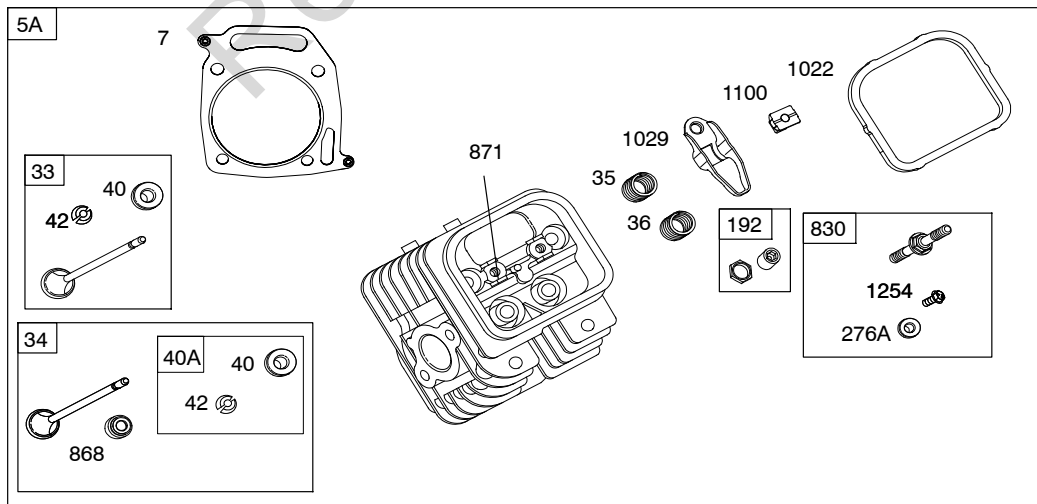
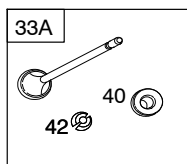
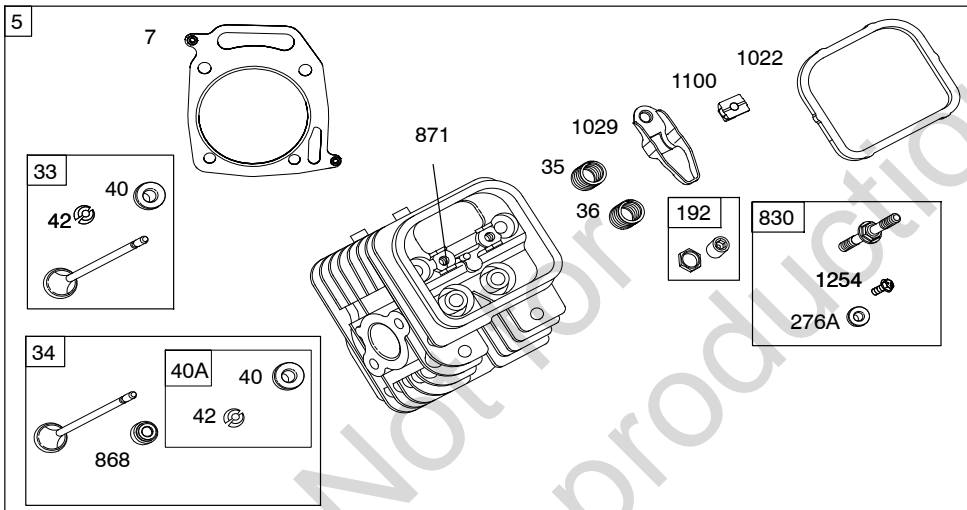
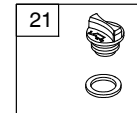
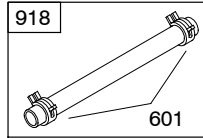
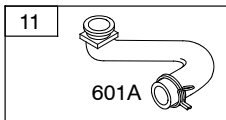
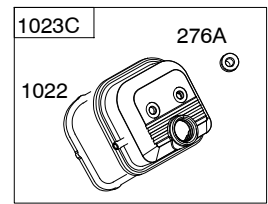
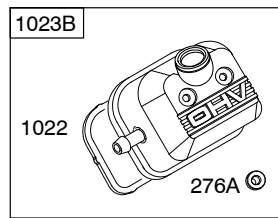
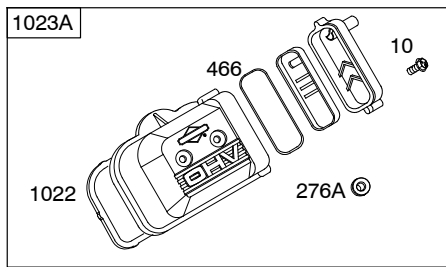
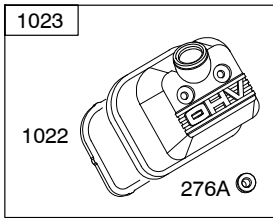
1319 WARNING LABEL

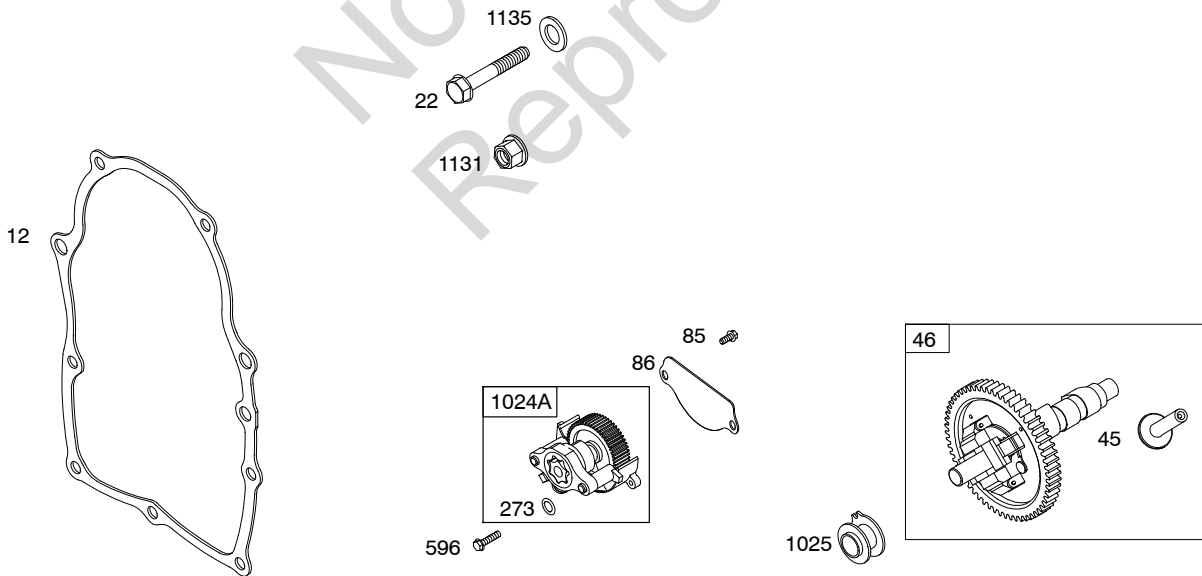
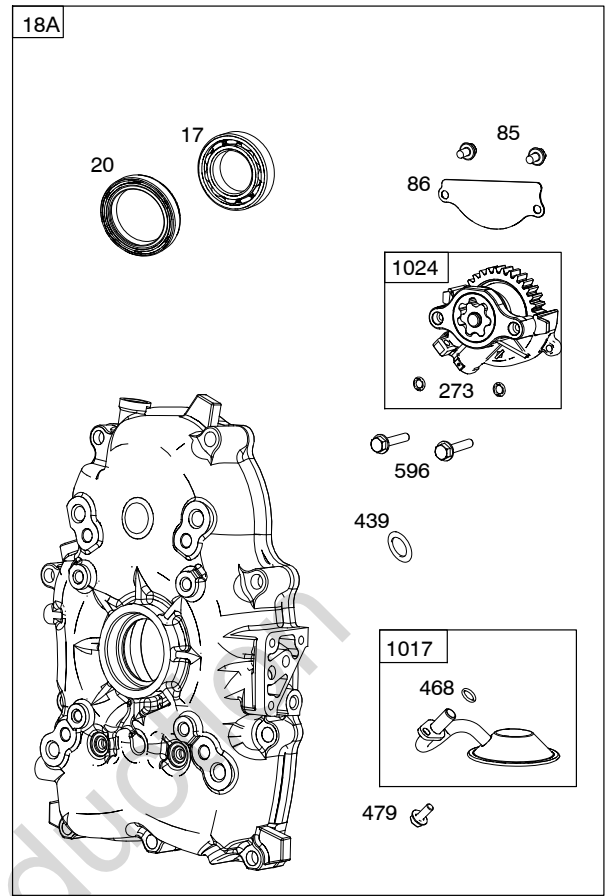
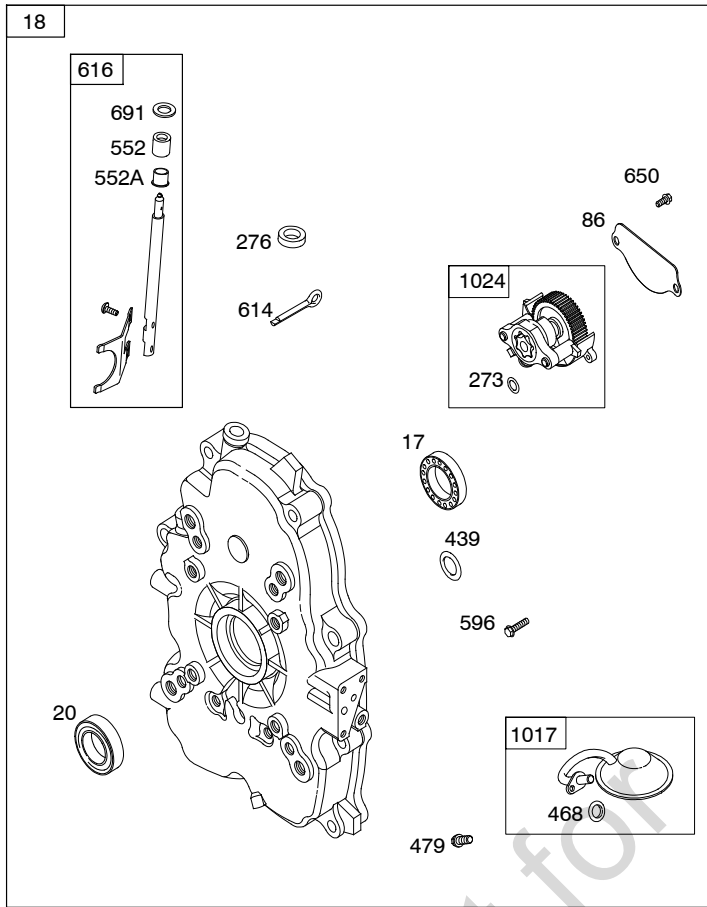
WARNING	
	Read and follow Operating Instructions before running engine.
	Gasoline is flammable. Allow engine to cool at least 2 minutes before refueling.
	Engines emit carbon monoxide. DO NOT run in enclosed area.
	Muffler area temperature may exceed 150°F. Do not touch hot parts.

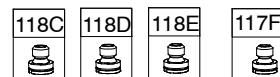
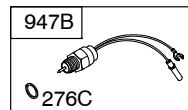
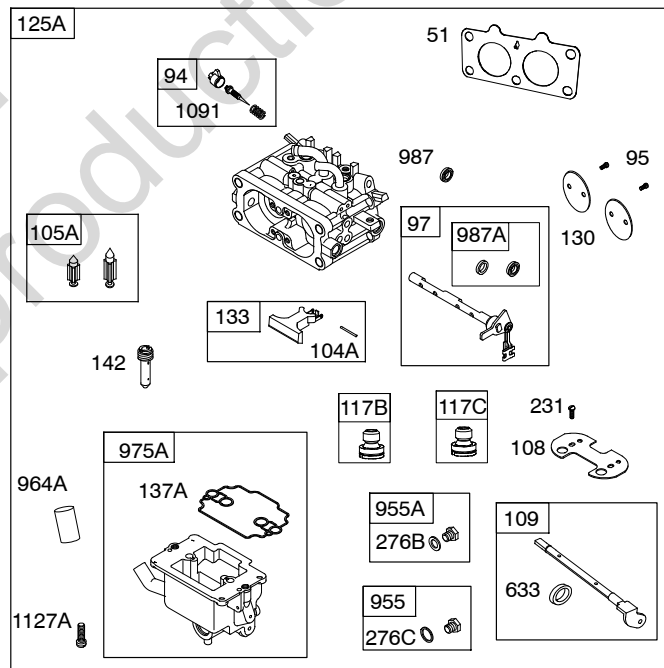
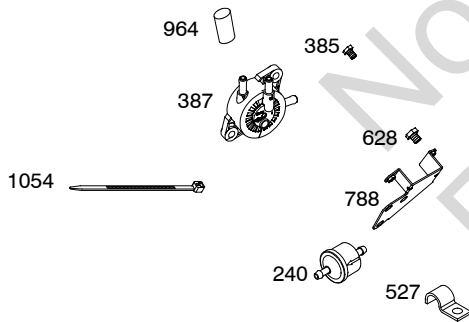
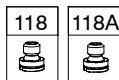
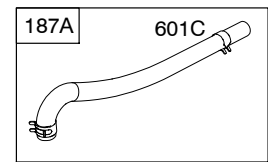
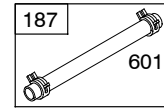
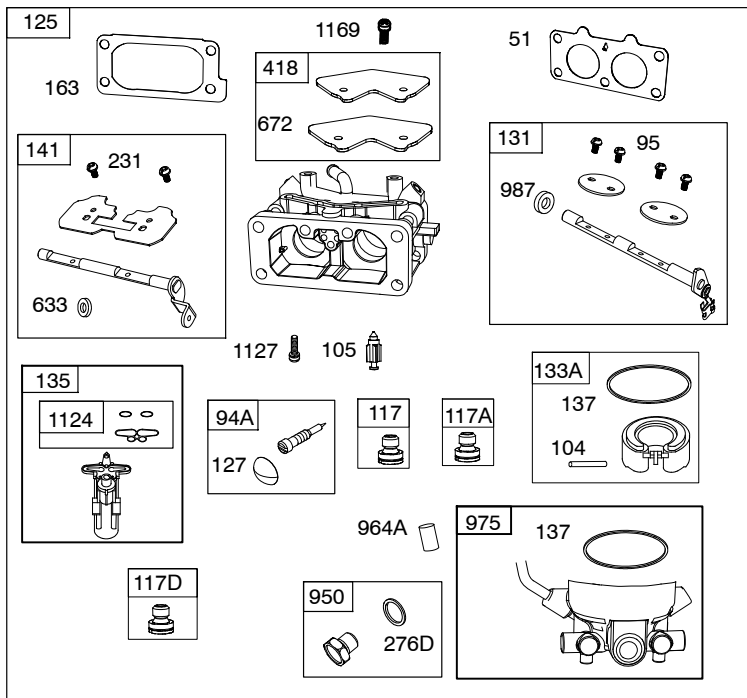
**REQUIRED** when replacing parts with warning labels affixed.

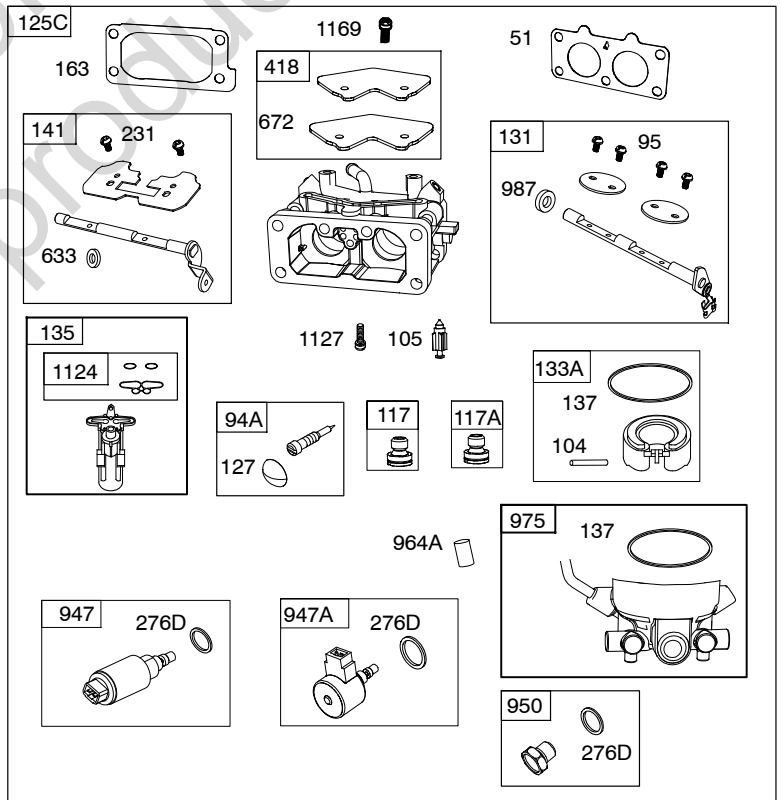
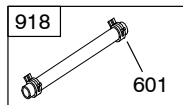
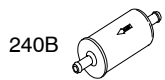
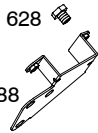
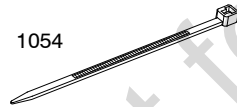
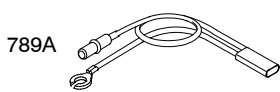
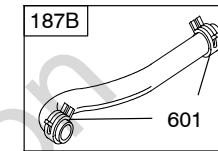
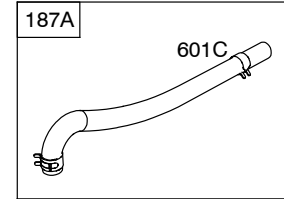
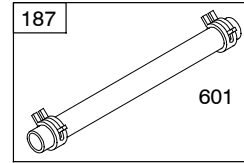
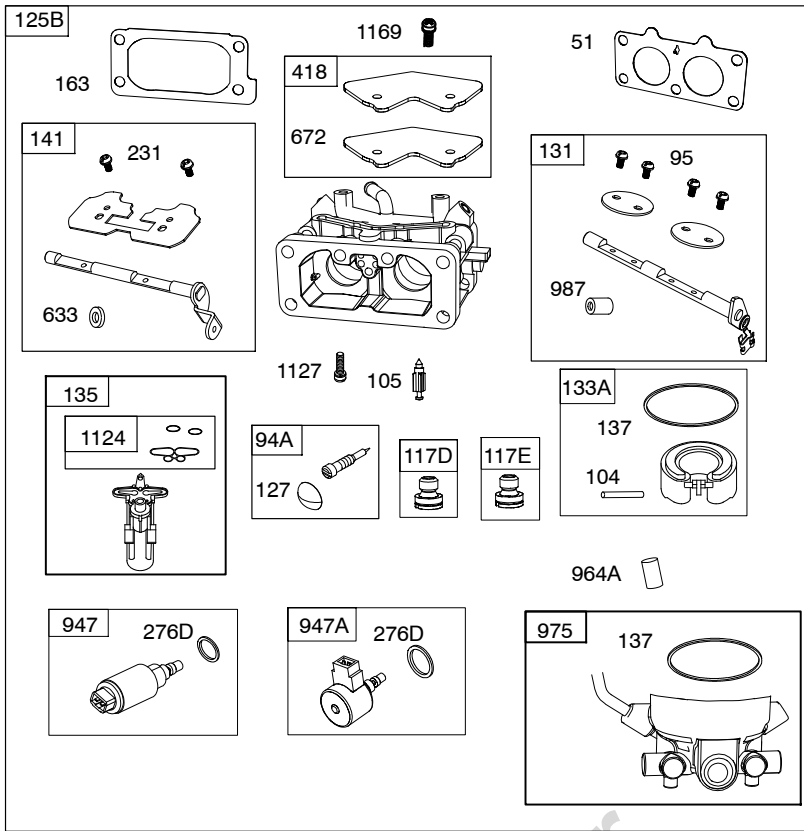


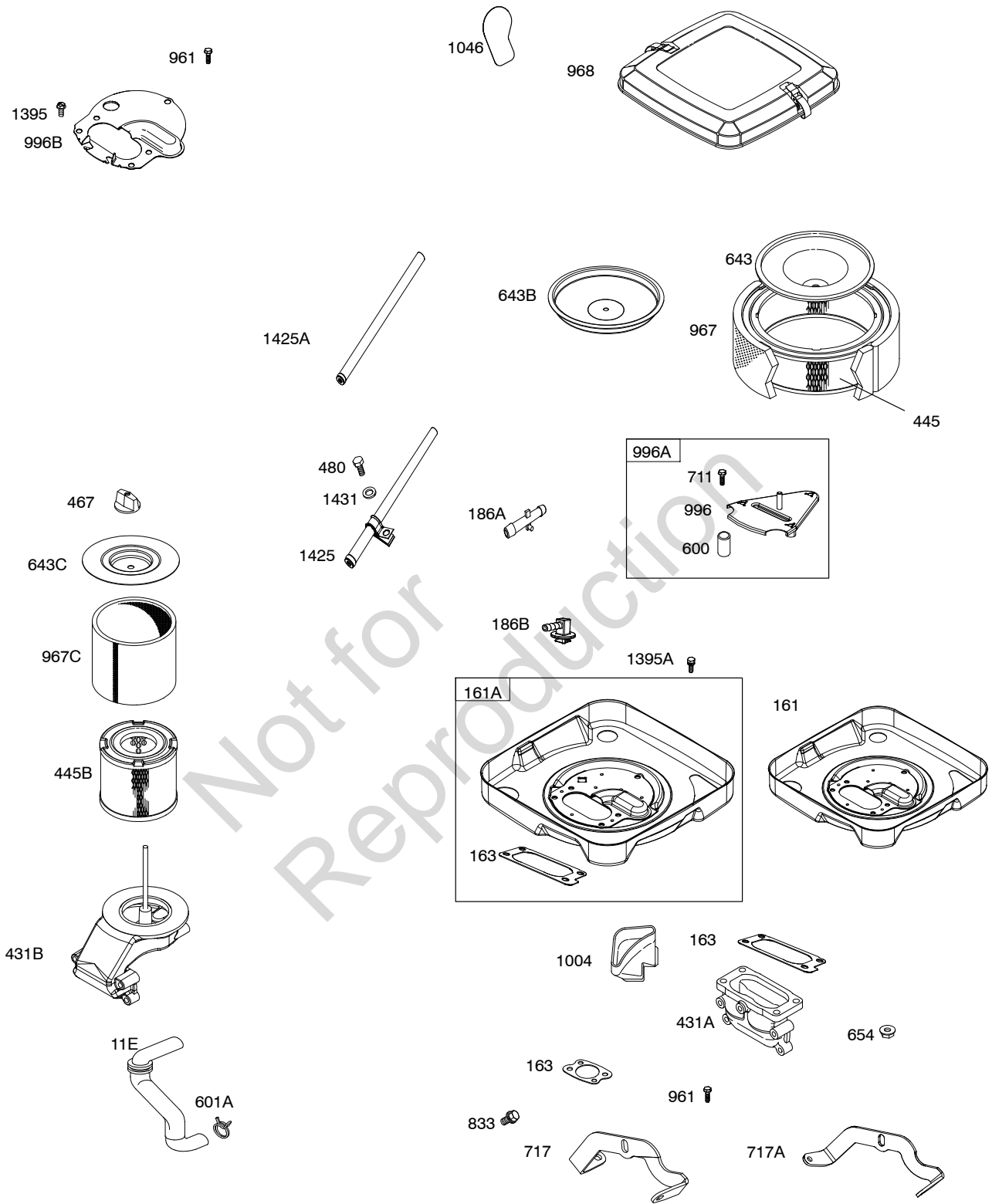
1254



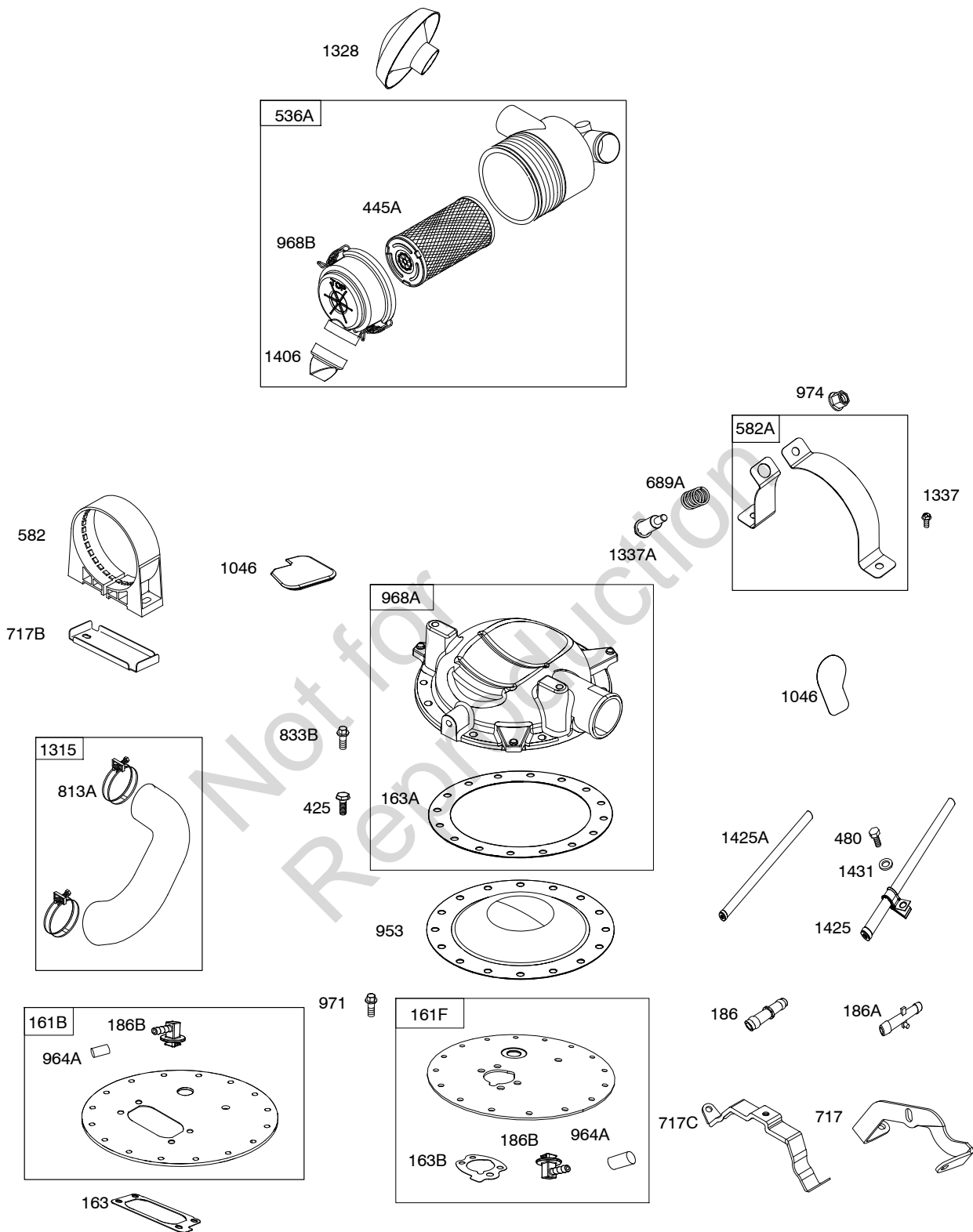




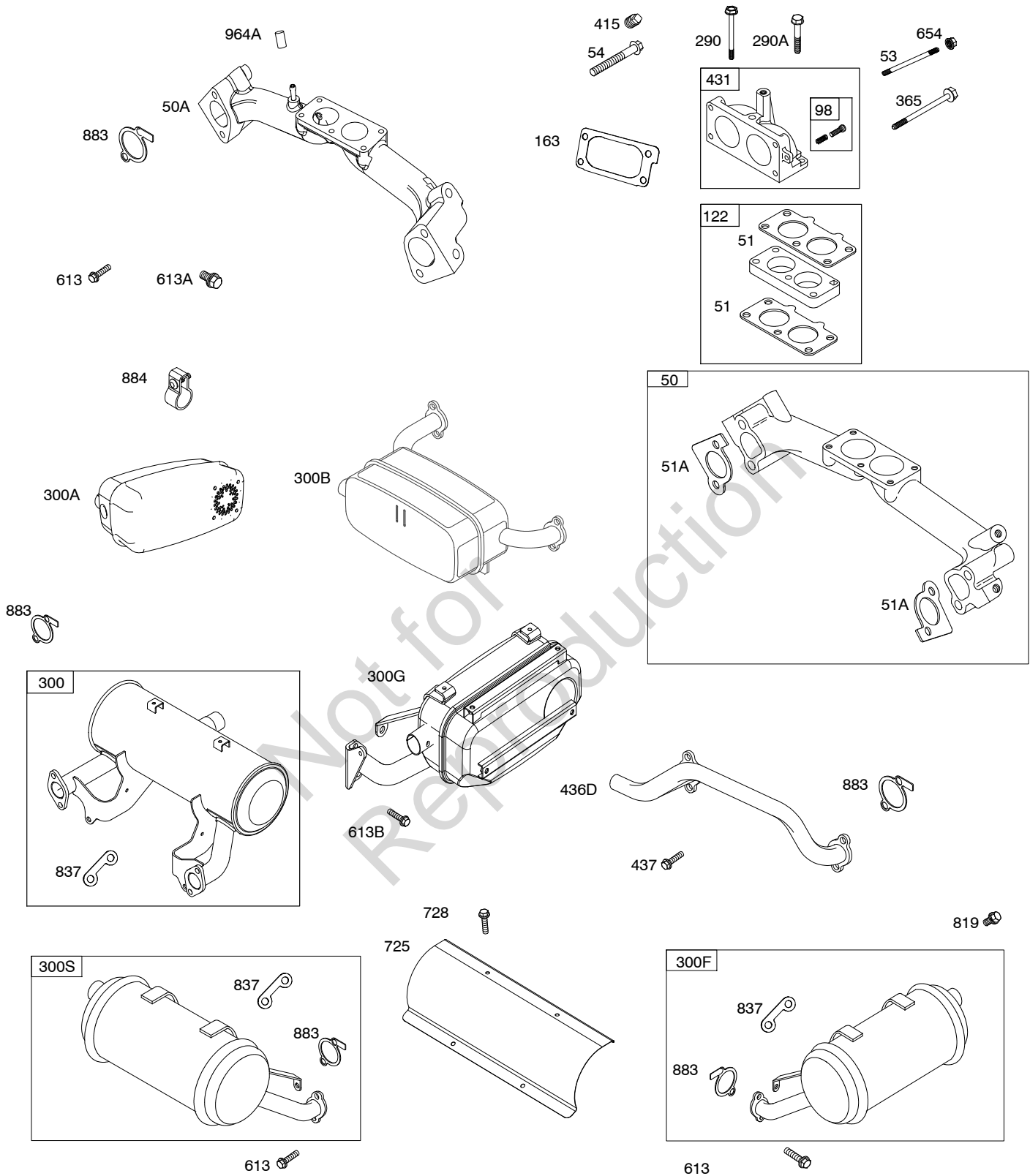


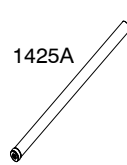
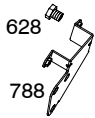
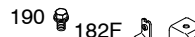
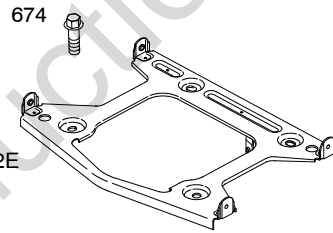
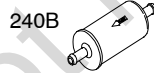
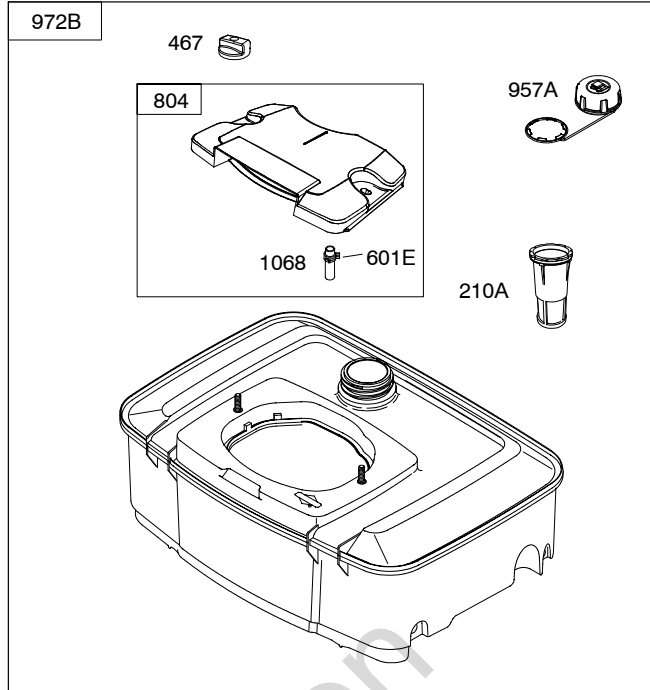
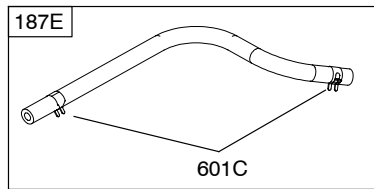
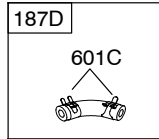
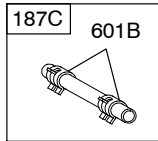
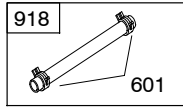
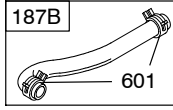
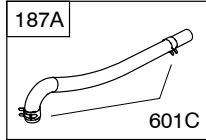
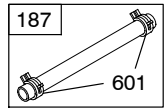


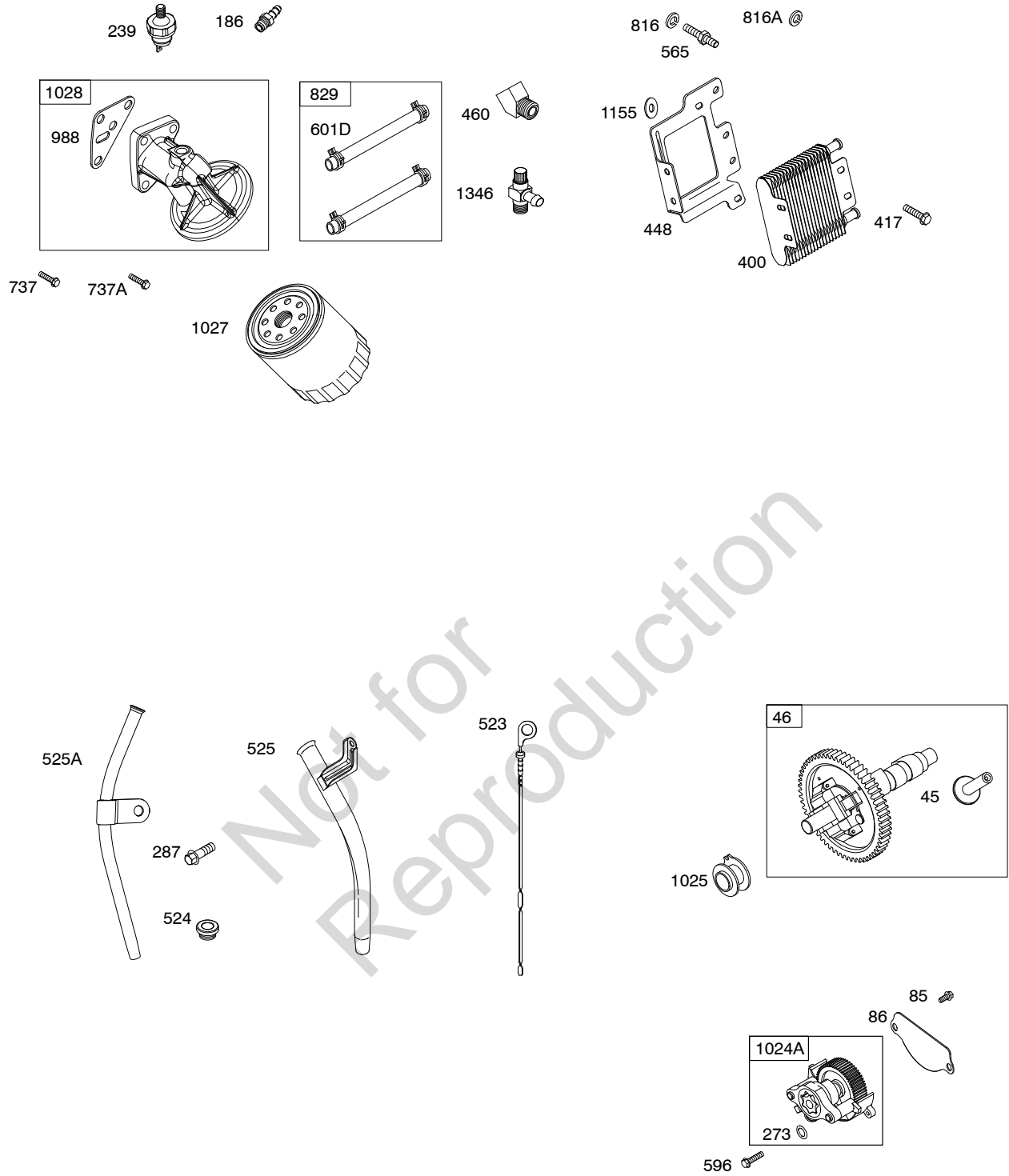
Not for  
Reproduction

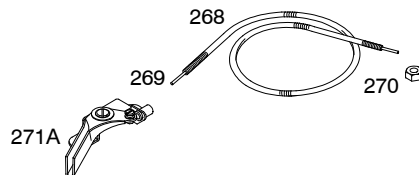
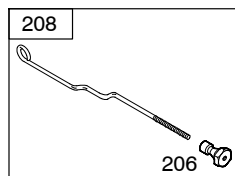
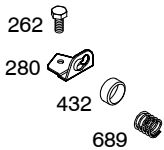
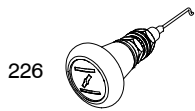
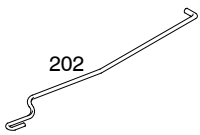
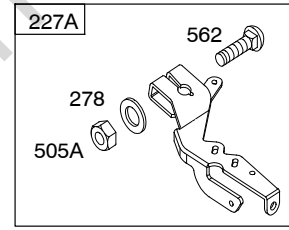
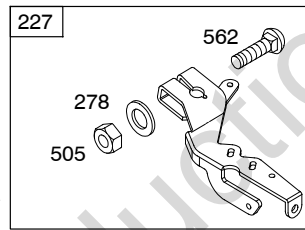
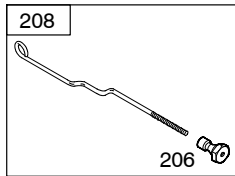
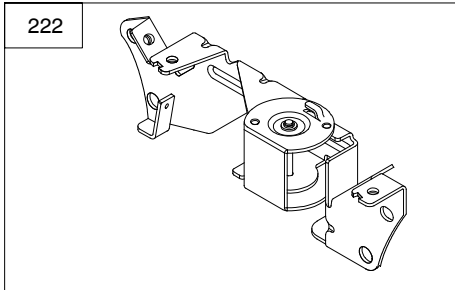
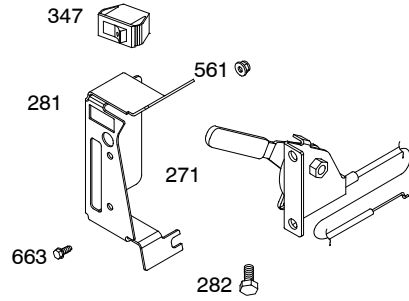
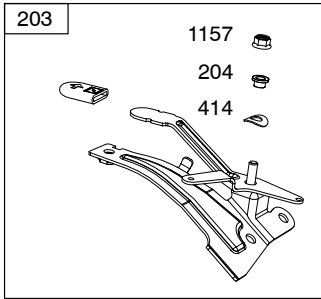


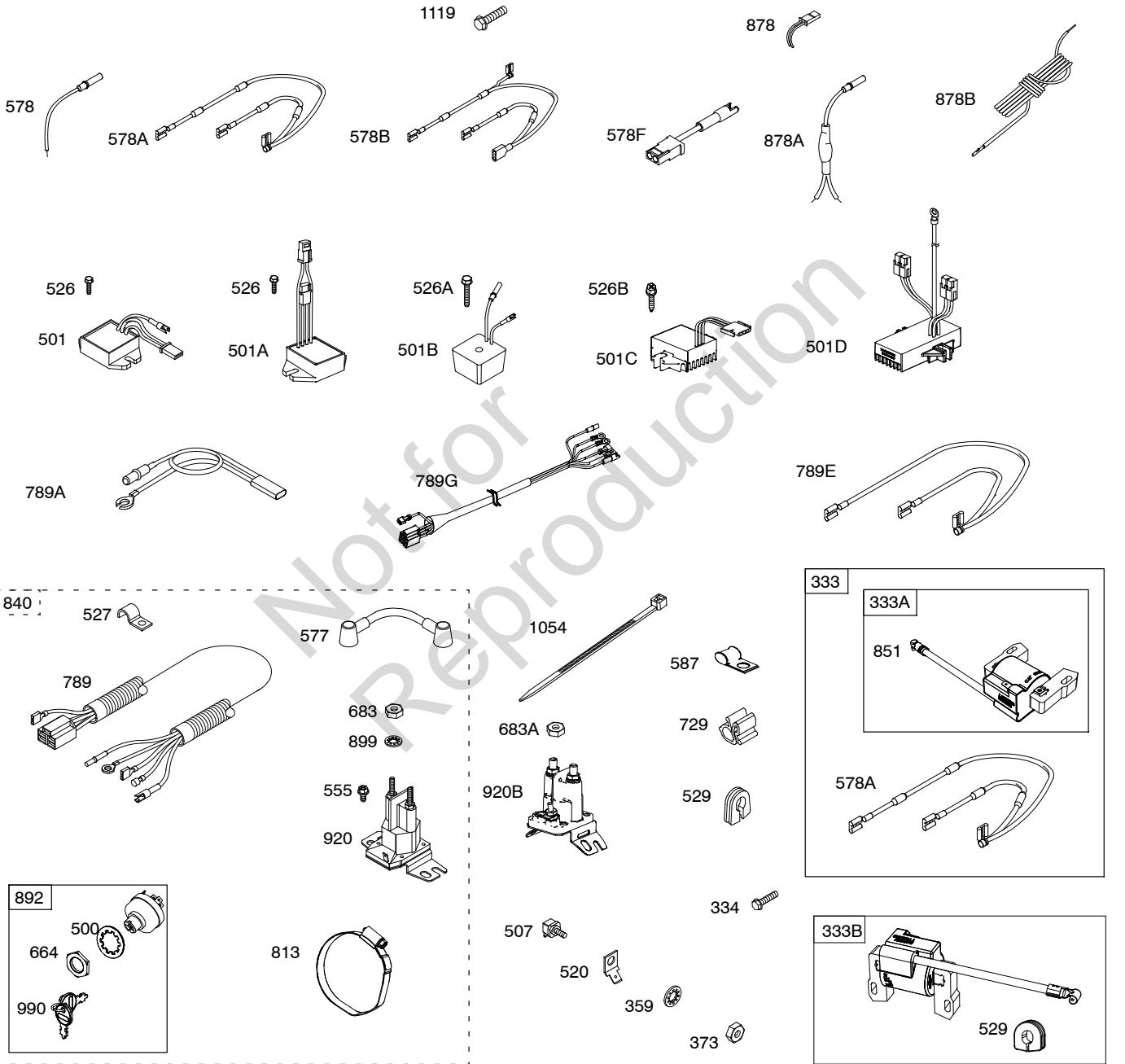
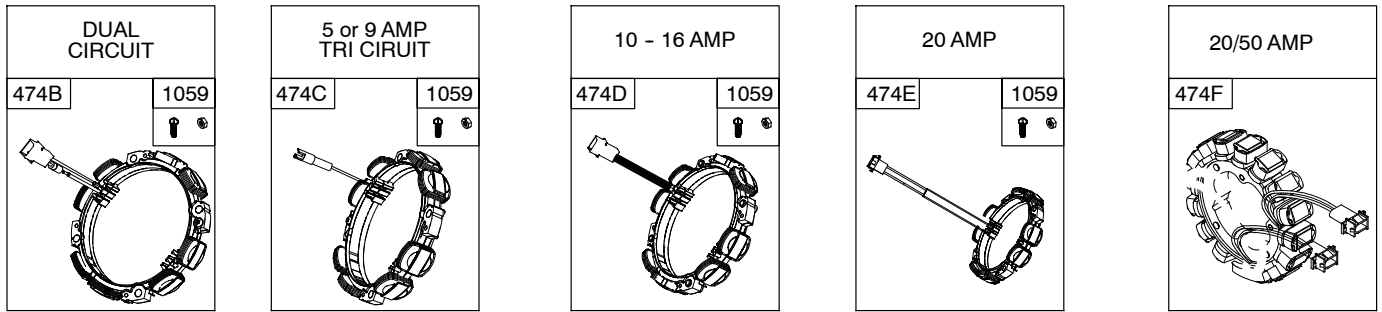




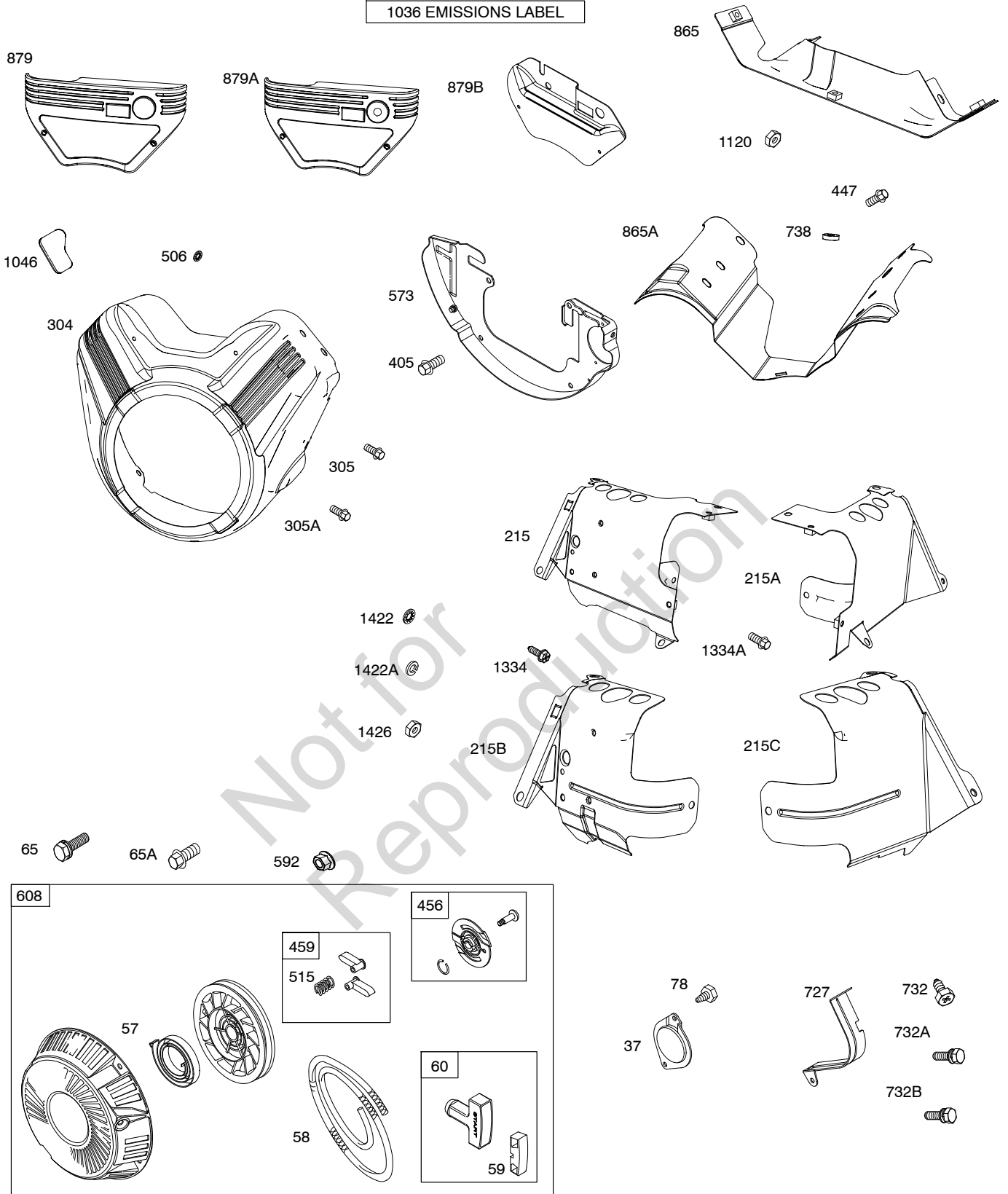


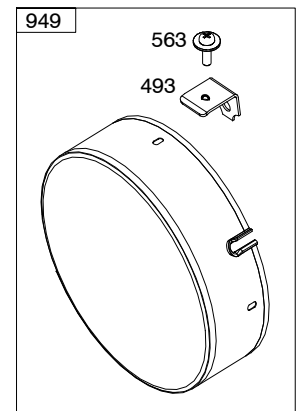
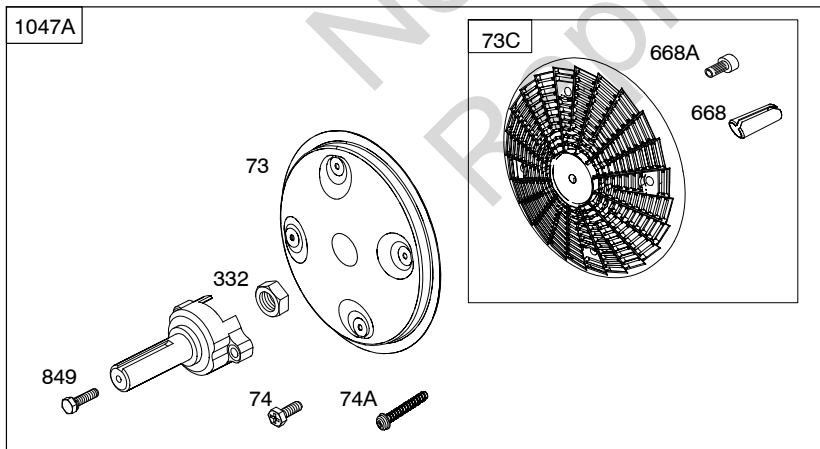
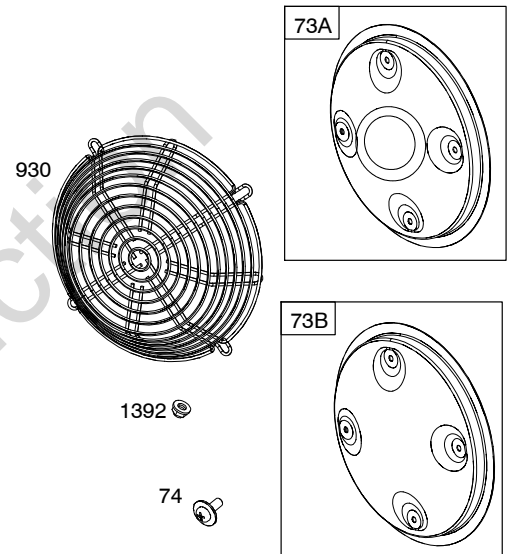
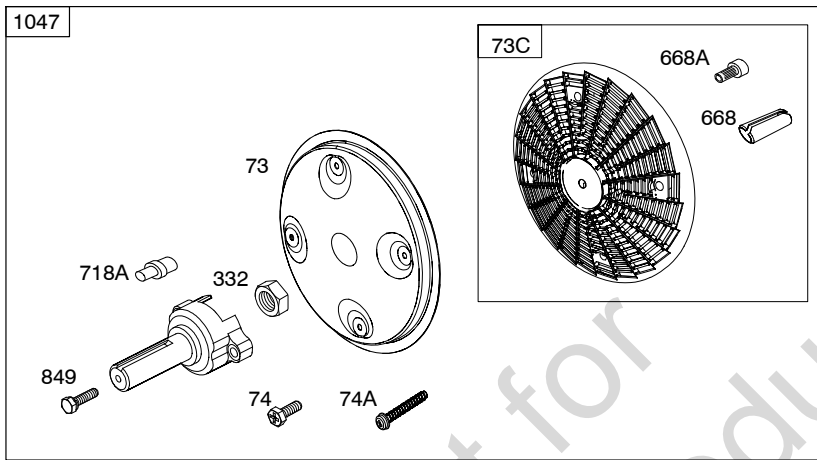
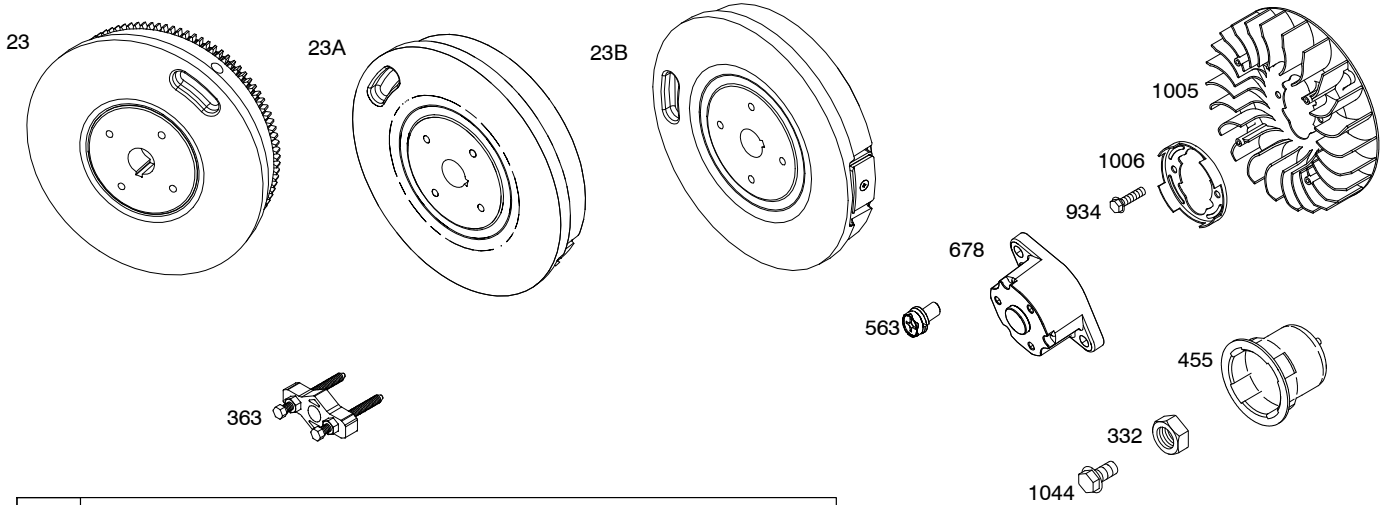


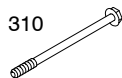
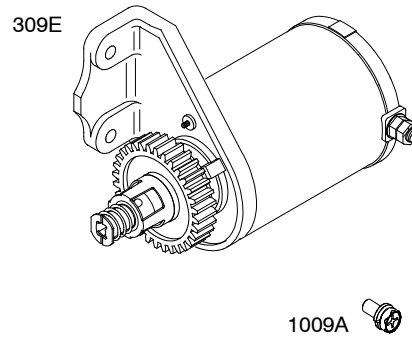
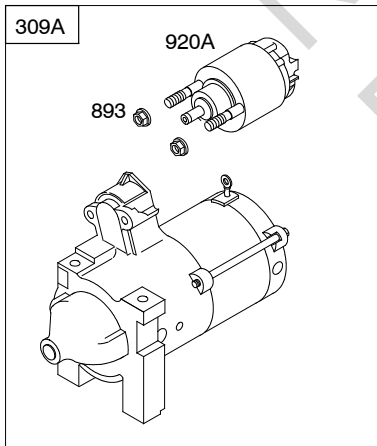
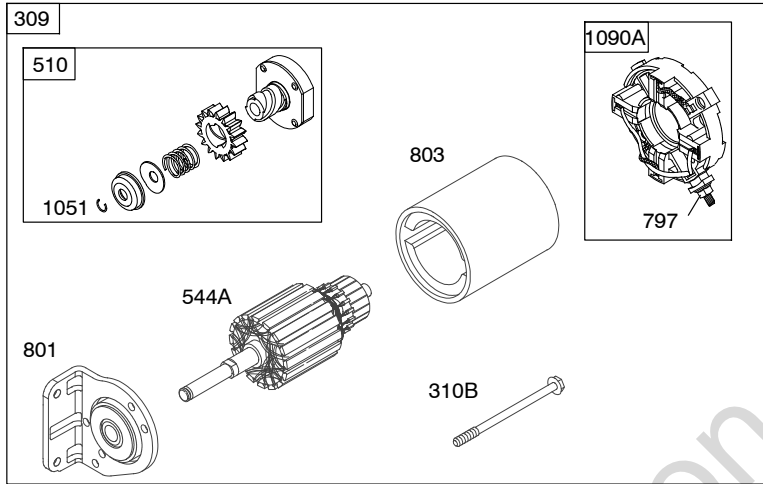
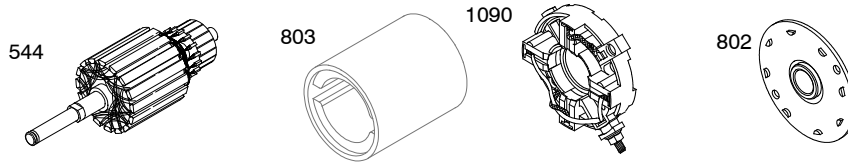




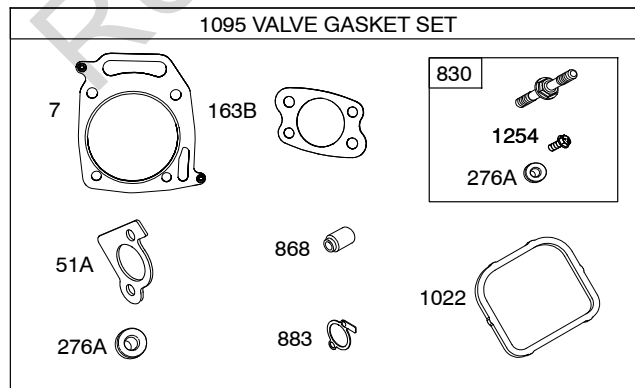
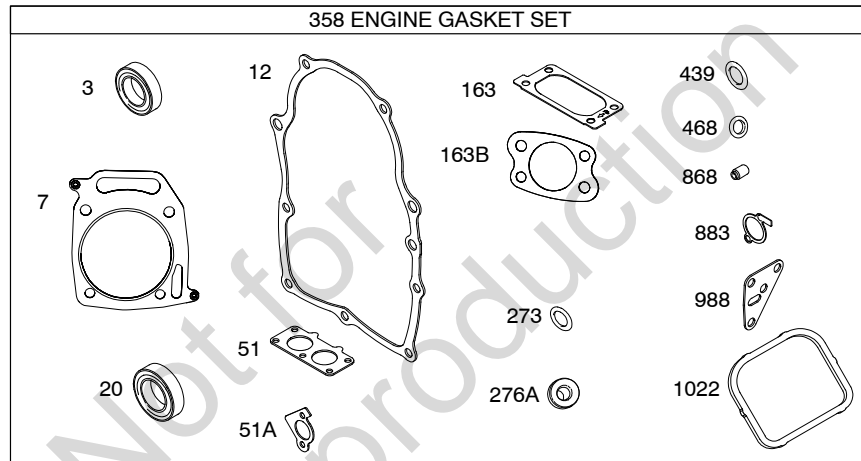
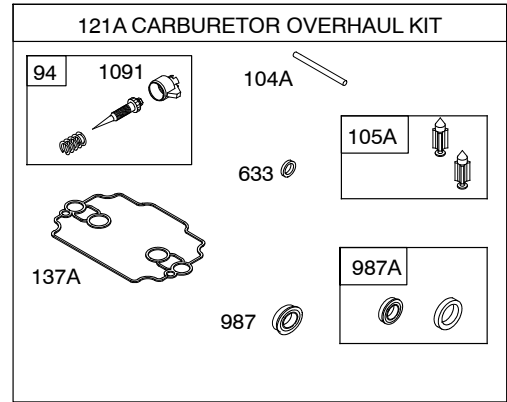
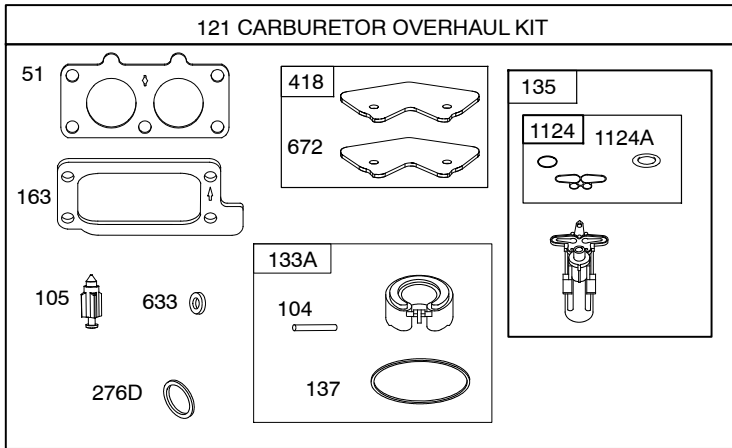
1036 EMISSIONS LABEL











# 386400

REF. NO.	PART NO.	DESCRIPTION	REF. NO.	PART NO.	DESCRIPTION	REF. NO.	PART NO.	DESCRIPTION
1	842684	Cylinder Assembly (Used After Code Date 05073100). ----- <b>Note</b> ----- <b>842619</b> Cylinder Assembly (Used After Code Date 08103100). Used on Type No(s). 0016, 0024, 0125, 0152, 0154, 0160, 0171, 0175, 0227, 0228, 1160. <b>842603</b> Cylinder Assembly (Used After Code Date 08103100). Used on Type No(s). 0018, 0020, 0021, 0039, 0124, 0144, 0147, 0164, 0167, 0194, 1144, 1147, 3020. <b>842625</b> Cylinder Assembly (Used After Code Date 05073100). Used on Type No(s). 0129-01, 0129-G1. <b>842464</b> Cylinder Assembly (50 Amp Stator) (Used Before Code Date 05080100). Used on Type No(s). 0129-01.	2	808534	Kit-Bushing/Seal (Magneto Side)	16	843807	Crankshaft (Used After Code Date 07062900). ----- <b>Note</b> ----- <b>809844</b> Crankshaft (Used Before Code Date 07063000). Used on Type No(s). 0020, 0065, 0079, 0113, 0114, 0115, 0125, 0127, 0129, 0132, 0136, 0138, 0139, 0147, 0149, 0152, 0171, 0173, 0175, 0177, 0181. <b>843814</b> Crankshaft (Used After Code Date 07062900). Used on Type No(s). 0048, 0100, 0116, 0119, 0120, 0121, 0122, 0124, 0133, 0134, 0135, 0142, 0157, 0172, 0204, 0223, 1204, 2121, 3048. <b>843815</b> Crankshaft Used on Type No(s). 0028, 0032. <b>809835</b> Crankshaft (Used Before Code Date 07063000). Used on Type No(s). 0048, 0100, 0116, 0119, 0120, 0121, 0122, 0124, 0133, 0134, 0135, 0142, 0172. <b>843810</b> Crankshaft (Used After Code Date 07062900). Used on Type No(s). 0022, 0027, 0034, 0054, 0078, 0112, 0131, 0141, 0155, 0166, 0182, 0189, 0192, 2131, 3078. <b>809814</b> Crankshaft (Used Before Code Date 07063000). Used on Type No(s). 0049, 0078, 0112, 0131, 0141, 0182.
			3	805101s	Seal-Oil (Magneto Side)			
			5	845713	Head-Cylinder (Cylinder 1) ----- <b>Note</b> ----- <b>842661</b> Head-Cylinder (Cylinder 1) Used on Type No(s). 0129.			
			5A	845714	Head-Cylinder (Cylinder 2) ----- <b>Note</b> ----- <b>842660</b> Head-Cylinder (Cylinder 2) Used on Type No(s). 0129.			
			7	842622	Gasket-Cylinder Head			
			10	806421	Screw (Breather Assembly)			
			11	806379	Tube-Breather			
			11E	846565	Tube-Breather			
			12	845254	Gasket-Crankcase ----- <b>Note</b> ----- <b>846487</b> Gasket-Crankcase Used on Type No(s). 0029.			
			13	842618	Screw (Cylinder Head) (M8x106mm) (Used After Code Date 05073100).			
			13A	806865	Screw (Cylinder Head) (M8x86mm) (Used Before Code Date 05080100).			
1A	845784	Cylinder Assembly (Used Before Code Date 05080100). ----- <b>Note</b> ----- <b>843543</b> Cylinder Assembly (Used Before Code Date 08110100). Used on Type No(s). 0125, 0152, 0154, 0171, 0175. <b>844594</b> Cylinder Assembly (Used Before Code Date 08110100). Used on Type No(s). 0020, 0021, 0124, 0144, 0147, 0194.	15	690946	Plug-Oil Drain (External 7/16" Sq) ----- <b>Note</b> ----- <b>691680</b> Plug-Oil, Drain (Internal 3/8" Sq)			

Engine Gasket Set-Reference 358  
Carburetor Overhaul Kit-Reference 121 & 121A

Valve Gasket Set-Reference 1095

REF. NO.	PART NO.	DESCRIPTION	REF. NO.	PART NO.	DESCRIPTION	REF. NO.	PART NO.	DESCRIPTION
	<b>843812</b>	Crankshaft (Used After Code Date 07062900) Used on Type No(s). 0002, 0006, 0008, 0010, 0016, 0017, 0021, 0047, 0144, 0150, 0151, 0158, 0159, 0160, 0165, 0180, 0183, 0187, 0196, 0206, 0209, 0212, 0215, 0217, 0218, 0224, 0228, 0398, 1144, 1160, 2196, 3021, 3047.	<b>23</b>	<b>809236</b>	Flywheel (16 AMP) ----- <b>Note</b> ----- <b>841050</b> Flywheel (20 AMP) Used on Type No(s). 0002, 0008, 0010, 0015, 0016, 0040, 0120, 0156, 0163, 0173, 0191, 0195, 0202, 0216, 0217, 1156, 1195, 2202. <b>841728</b> Flywheel (10 AMP) Used on Type No(s). 0116, 0193. <b>842442</b> Flywheel (20/50 AMP) Used on Type No(s). 0018, 0020, 0021, 0039, 0124, 0129, 0144, 0147, 0162, 0167, 0194, 0221, 1144, 1147, 3020, 3021.	<b>26</b>	<b>843806</b>	Ring Set (Standard) ----- <b>Note</b> ----- <b>843824</b> Ring Set (.020" Oversize)
	<b>809827</b>	Crankshaft (Used Before Code Date 07063000). Used on Type No(s). 0144, 0150, 0151, 0180, 0183.				<b>27</b>	<b>690683</b>	Lock-Piston Pin (Used After Code Date 07062900).
	<b>843808</b>	Crankshaft (Used After Code Date 07062900). Used on Type No(s). 0051, 0077, 0140, 0179, 0219, 1179, 3077.	<b>23A</b>	<b>841957</b>	Flywheel (Without Ring Gear) (Rewind Starter) Used on Type No(s). 0115.	<b>27A</b>	<b>806378</b>	Lock-Piston Pin (Used Before Code Date 07063000).
	<b>809800</b>	Crankshaft (Used Before Code Date 07063000). Used on Type No(s). 0077, 0140.	<b>23B</b>	<b>846044</b>	Flywheel (Use With Ref #700) Used on Type No(s). 0029, 0030, 0220, 0222, 0223.	<b>28</b>	<b>844023</b>	Pin-Piston (Used After Code Date 07062900).
	<b>843817</b>	Crankshaft (Used After Code Date 07062900). Used on Type No(s). 0052, 0176, 0185, 0222, 2185.	<b>25</b>	<b>843805</b>	Piston Assembly (Standard) (Used After Code Date 07062900). ----- <b>Note</b> ----- <b>843823</b> Piston Assembly (.020" Oversize) (Order Reference 29 when replacing .020" Oversize)	<b>28A</b>	<b>808526</b>	Pin-Piston (Used Before Code Date 07063000).
	<b>843115</b>	Crankshaft (Used Before Code Date 07063000). Used on Type No(s). 0176, 0185.				<b>29</b>	<b>807900s</b>	Rod-Connecting (Used After Code Date 07062900).
<b>17</b>	<b>843827</b>	Bearing-Ball				<b>29A</b>		Rod-Connecting (See Reference 25 for replacement) (Used Before Code Date 07063000).
<b>18</b>	<b>844588</b>	Cover-Crankcase				<b>32</b>	<b>690698</b>	Screw (Connecting Rod)
<b>18A</b>	<b>844734</b>	Cover-Crankcase Used on Type No(s). 0195, 1195.	<b>25A</b>	<b>844009</b>	Piston Assembly (Standard) (Includes Connecting Rod, Piston, Rings, Piston Pin and Piston Pin Locks) (Used Before Code Date 07063000).	<b>33</b>	<b>806419</b>	Valve-Exhaust
	<b>20</b>	<b>805049s</b>				<b>33A</b>	<b>843752</b>	Valve-Exhaust Used on Type No(s). 0129.
	<b>21</b>	<b>809500</b>				<b>34</b>	<b>845712</b>	Valve-Intake (Used After Code Date 12013100). ----- <b>Note</b> -----
	<b>22</b>	<b>807362</b>				<b>34</b>	<b>843751</b>	Valve-Intake (Used Before Code Date 12020100).
						<b>35</b>	<b>692084</b>	Spring-Valve (Intake)
						<b>36</b>	<b>692084</b>	Spring-Valve (Exhaust)
						<b>37</b>	<b>841309</b>	Guard-Flywheel
						<b>40</b>	<b>692058</b>	Retainer-Valve
						<b>40A</b>	<b>844895</b>	Retainer-Valve
						<b>42</b>	<b>807683</b>	Keeper-Valve
						<b>45</b>	<b>843379</b>	Tappet-Valve
						<b>46</b>	<b>690927</b>	Camshaft
						<b>50</b>	<b>806376</b>	Manifold-Intake ----- <b>Note</b> ----- <b>808810</b> Manifold- Intake Used on Type No(s). 0129.

Engine Gasket Set-Reference 358  
Carburetor Overhaul Kit-Reference 121 & 121A

Valve Gasket Set-Reference 1095

# 386400

REF. NO.	PART NO.	DESCRIPTION	REF. NO.	PART NO.	DESCRIPTION	REF. NO.	PART NO.	DESCRIPTION
50A	844504	Manifold-Intake Used on Type No(s). 0020, 0021, 0048, 0065, 0077, 0079, 0155, 0162, 0191, 0196, 3020, 3021, 3047, 3065, 3077, 0378, 3079, 3201.	97	808182	Shaft-Throttle	118	699820	Jet-Main (High Altitude) (Left Jet) (Used on Carburetors: 844716, 845280, 844373) (High Altitude) (Right Jet) (Used on Carburetors: 845653, 845315, 843104)
51	690950	Gasket-Intake (Intake Manifold To Carburetor)	98	843545	Kit-Idle Speed (Intake Elbow)	118A	699458	Jet-Main (High Altitude) (Right Jet) (Used on Carburetors: 844716, 845280, 844373, 845653) (High Altitude) (Left Jet) (Used on Carburetors: 845315, 843104)
51A	806418	Gasket-Intake (Intake Manifold to Cylinder Head)	104	844598	Pin-Float Hinge (24.5 mm) (Used After Code Date 09031500).	118B	845330	Jet-Main (High Altitude) Left Jet) (Used on Carburetors: 845315, 843104)
53	690746	Stud (Carburetor)	104A	690882	Pin-Float Hinge (22 mm) (Used Before Code Date 09031600).	118C	690880	Jet-Main (High Altitude) (Left and Right Jet) (Used on Carburetor 809449)
54	806444	Screw (Intake Manifold)	105	698537	Valve-Float Needle	118D	841670	Jet-Main (High Altitude) (Left Jet) (Used on Carburetor 808626)
57	692086	Spring-Rewind Starter	105A	808798	Kit-Needle/Seat	118E	693500	Jet-Main (High Altitude) (Right Jet) (Used on Carburetor 808626)
58	66574	Rope-Starter (Cut To Required Length)	108	690883	Valve-Choke	121	843103	Kit- Carburetor Overhaul (Used After Code Date 09031500).
59	805957	Insert-Grip	109	808277	Shaft-Choke	121A	842873	Kit- Carburetor Overhaul (Used Before Code Date 09031600).
60	808167	Grip-Starter Rope	117	699457	Jet-Main (Standard) (Left Jet) (Used After Code Date 09031500).			
65	690341	Screw (Rewind Starter) (5/16-18 x 0.875)	117A	842628	Jet-Main (Standard) (Right Jet) (Used After Code Date 09031500).			
65A	841233	Screw (Rewind Starter) (M6 x 10mm)	117B	806438	Jet-Main (Standard) (Left Jet) (Used Before Code Date 09031600).			
73	841582	Screen-Rotating Used on Type No(s). 0129, 0136, 0165, 0187, 0195, 0201, 0221, 1195, 3201.	117C	806439	Jet-Main (Standard) (Right Jet) (Used Before Code Date 09031600).			
73A	841662	Screen-Rotating	117D	843099	Jet-Main (Standard) (Left Jet)			
73B	841440	Screen-Rotating	117E	699457	Jet-Main (Standard) (Right Jet)			
73C	494439	Screen-Rotating	117F	809685	Jet-Main (Standard) (Right & Left Jet) Used on Type No(s). 0132, 0134.			
74	841441	Screw (Rotating Screen) (M5x14mm)						
74A	691088	Screw (Rotating Screen)						
78	690688	Screw (Flywheel Guard)						
85	841233	Screw (Gear Cover)						
86	690745	Cover-Gear						
94	842870	Kit-Idle Mixture Used on Type No(s). 0132, 0134, 0185, 0190.						
94A	844593	Kit-Idle Mixture						
95	690718	Screw (Throttle Valve)						

Engine Gasket Set-Reference 358  
Carburetor Overhaul Kit-Reference 121 & 121A

Valve Gasket Set-Reference 1095

REF. NO.	PART NO.	DESCRIPTION	REF. NO.	PART NO.	DESCRIPTION
122	690870	Spacer-Carburetor	125C	844716	Carburetor
125	844373	Carburetor (Used After Code Date 09031500).			(Used Before Code Date 11041400 and After Code Date 09011900).
		----- Note -----			Used on Type No(s).
		845653 Carburetor			0020, 0047, 0048,
		Used on Type No(s).			0065, 0079, 0100,
		0028, 0032, 0154,			0113, 0114, 0116,
		0160.			0119, 0120, 0121,
125A	808626	Carburetor (Used Before Code Date 09031600).			0122, 0124, 0129,
		----- Note -----			0131, 0133, 0135,
		808626 Carburetor			0136, 0138, 0139,
		(Used Before Code Date 09012000).			0141, 0142, 0147,
		Used on Type No(s).			0150, 0151, 0156,
		0029, 0030, 0020,			0157, 0158, 0159,
		0047, 0048, 0065,			0165, 0172, 0173,
		0079, 0100, 0113,			0180, 0182, 0187,
		0114, 0116, 0119,			0189, 0191, 0194,
		0120, 0121, 0122,			0195, 0198, 0199,
		0124, 0129, 0131,			0201, 0202, 0212,
		0133, 0135, 0136,			1138, 1147, 1156,
		0138, 0139, 0141,			1195, 2121, 2131,
		0142, 0147, 0150,			2202, 3020, 3047,
		0151, 0157, 0172,			3048, 3065, 3079.
		0173, 0180, 0182,			----- Note -----
		0187, 0189, 0194,			845280 Carburetor
		0195, 0199.			(Used After Code Date 11041300).
		808626 Carburetor			Used on Type No(s).
		Used on Type No(s).			0002, 0004, 0005,
		0185, 0190, 0204,			0006, 0008, 0010,
		0220, 0222, 0223,			0011, 0017, 0020,
		1204, 2185, 2190.			0022, 0024, 0025,
		809449 Carburetor			0027, 0031, 0034,
		(No Longer Available)			0039, 0040, 0047,
		Used on Type No(s).			0048, 0054, 0065,
		0132, 0134.			0079, 0081, 0100,
					0113, 0114, 0116,
					0119, 0120, 0121,
					0122, 0124, 0129,
125B	843104	Carburetor (Used Before Code Date 11072500).			0131, 0133, 0135,
		Used on Type No(s).			0136, 0138, 0139,
		0152, 0175, 0181,			0141, 0142, 0147,
		0193, 0209.			0150, 0151, 0156,
		----- Note -----			0157, 0158, 0159,
		845315 Carburetor			0162, 0163, 0164,
		(Used After Code Date 11072400).			0165, 0166, 0167,
		Used on Type No(s).			0172, 0173, 0180,
		0016, 0018, 0049,			0182, 0187, 0189,
		0152, 0175, 0181,			0191, 0194, 0195,
		0193, 0209, 0228.			0198, 0199, 0201,
					0202, 0206, 0212,
					0215, 0216, 0217,
					0218, 0221, 0224,
					0227, 0398, 1138,
					1147, 1156, 1195,
					2121, 2131, 2202,
					3020, 3047, 3048,
					3065, 3079, 3201.
					127 844590 Plug-Welch
					130 690884 Valve-Throttle
					131 843101 Kit-Throttle Shaft
					133 808180 Float-Carburetor
					133A 841545 Float-Carburetor
					(Used After Code Date 09031500).
					----- Note -----
					845291
					Float-Carburetor
					(Used Before Code Date 09031600).
					135 842677 Tube-Fuel Transfer
					137 841651 Gasket-Float Bowl
					(Used After Code Date 09031500).
					137A 693711 Gasket-Float Bowl
					(Used Before Code Date 09031600).
					141 843100 Kit-Choke Shaft
					142 806375 Nozzle-Carburetor
					161 808655 Base-Air Cleaner
					161A 845216 Base-Air Cleaner
					(Includes Gasket)
					Used on Type No(s).
					0004, 0163, 0164,
					0192, 0204, 0212,
					0213, 0215, 0216,
					0220, 0222, 0398,
					1138, 1144, 1147,
					1156, 1177, 1179,
					1204, 2121, 2131,
					2148, 2185, 2190,
					2196, 2202, 3020,
					3021, 3047, 3048,
					3065, 3077, 3078,
					3079.
					161B 843109 Base-Air Cleaner
					161F 844996 Base-Air Cleaner
					163 692087 Gasket-Air Cleaner
					163A 841823 Gasket-Air Cleaner
					163B 692081 Gasket-Air Cleaner
					186 693184 Connector-Hose
					186A 845121 Connector-Hose
					186B 845141 Connector-Hose

Engine Gasket Set-Reference 358  
Carburetor Overhaul Kit-Reference 121 & 121A

Valve Gasket Set-Reference 1095

# 386400

REF. NO.	PART NO.	DESCRIPTION	REF. NO.	PART NO.	DESCRIPTION	REF. NO.	PART NO.	DESCRIPTION
187	791766	Line-Fuel (Cut to Required Length) (15" Long) ----- Note ----- 791745 Line-Fuel (Cut to Required Length) (23" Long)		690716	Spring-Governor (Green) Used on Type No(s). 0121, 0176, 0179, 0183, 0185, 0196, 0204, 0211, 0219, 0398, 1179, 1204, 2121, 2185, 2196.	210A	845270	Strainer-Fuel
187A	791744	Line-Fuel (Formed) (Cut to Required Length)		692071	Spring-Governor (No Color) Used on Type No(s). 0002, 0010, 0016, 0173, 0194.	211	692069	Spring-Governed Idle (Red) ----- Note ----- 691505 Spring-Governed Idle (White) Used on Type No(s). 0004, 0127, 0190, 0204, 1204, 2190.
187B	791801	Line-Fuel (Formed) (Cut to Required Length)		691508	Spring-Governor (Blue) Used on Type No(s). 0136.	211A	691504	Spring-Governed Idle (Blue) Used on Type No(s). 0027, 0034, 0054, 0112, 0116, 0141, 0166, 0182, 0189.
187C	692106	Line-Fuel (Formed)		692072	Spring-Governor (Purple) Used on Type No(s). 0133.			----- Note ----- 690707 Spring-Governed Idle (White) Used on Type No(s). 0022, 0078, 0131, 0155, 0192, 2131, 3078.
187D	846567	Line-Fuel (Formed)		806507	Spring-Governor (Black) Used on Type No(s). 0021, 0127, 0144, 0190, 1144, 2190, 3021.	215	841317	Guide-Air (Cylinder 1) Used on Type No(s). 0113, 0122, 0149, 0152, 0201.
187E	846318	Line-Fuel (Formed)		844167	Spring-Governor (Blue) Used on Type No(s). 0025, 0029, 0030, 0031, 0220, 0222, 0223.	215A	841316	Guide-Air (Cylinder 2) Used on Type No(s). 0113, 0122, 0149, 0152, 0201.
188	692056	Screw (Control Bracket) (M8x14mm)		209A	690709 Spring-Governor (Green) Used on Type No(s). 0027, 0034, 0054, 0112, 0116, 0141, 0166, 0182, 0189.	215B	841183	Guide-Air (Cylinder 1)
190	845964	Screw (M8 x 10mm)			----- Note ----- 691507 Spring-Governor (Brown) Used on Type No(s). 0004, 0006, 0014, 0122, 0127, 0149, 0206, 0214, 0224.	215C	841182	Guide-Air (Cylinder 2)
190A	692199	Screw (1/4"-20 x .625 Long))						
192	807623	Adjuster-Rocker Arm						
202	691536	Link-Mechanical Governor						
203	808753	Crank-Bell						
204	692884	Bushing-Lever						
206	691244	Nut-Governor Adjusting						
208	808453	Rod-Governor Control						
209	692070	Spring-Governor (Red)						

Engine Gasket Set-Reference 358  
Carburetor Overhaul Kit-Reference 121 & 121A

Valve Gasket Set-Reference 1095

REF. NO.	PART NO.	DESCRIPTION	REF. NO.	PART NO.	DESCRIPTION	REF. NO.	PART NO.	DESCRIPTION
216	691542	Link-Choke	280	691526	Bracket-Rod	309A	846407	Motor-Starter (0.8KW)
222	845305	Bracket-Control	281	690742	Panel-Control			Used on Type No(s).
226	846564	Rod-Choke	282	692083	Screw (Control Lever)			0016, 0024, 0125, 0129, 0152, 0154, 0160, 0171, 0175, 0221, 0227, 0228, 1160.
227	690236	Lever-Governor Control	287	692062	Screw (Dipstick Tube)	309E	844717	Motor-Starter (Used After Code Date 11011400).
227A	845484	Lever-Governor Control Used on Type No(s). 0022, 0054, 0078, 0112, 0116, 0131, 0141, 0155, 0182, 0189, 2131, 3078.	290	691537	Screw (Intake Elbow) (M6x70mm)	310	820807	Screw (Starter Motor) (M5x99mm) Used on Type No(s). 0125, 0129, 0152, 0154, 0160, 0171, 0175.
231	690718	Screw (Choke Valve)	290A	691492	Screw (Intake Elbow) (M6x30mm)	310A	690323	Screw (Starter Motor) (10-24 x 4.43)
232	691538	Spring-Governor Link	300	808911	Muffler Used on Type No(s). 0015, 0121, 0185.	310B	496880	Screw (NO LONGER AVAILABLE) (Starter Motor) (1/4-20 x 4.26) Used on Type No(s). 0120, 0133, 0195.
239	690233	Switch-Oil Pressure	300A	498984s	Muffler Used on Type No(s). 0133, 0159.			
240	691035	Filter-Fuel	300B		Muffler (Contact OEM for replacement) Used on Type No(s). 0122, 0149.			
240A	844545	Filter-Fuel	300C	808896	Muffler			
240B	845125	Filter-Fuel			----- Note ----- 808705 Muffler			
262	692083	Screw (Rod Bracket)	300F	808896	Muffler (Oil Filter Side Outlet)	332	690887	Nut (Flywheel)
265	691024	Clamp-Casing	300G	808752	Muffler	333	845606	Armature-Magneto (Used Before Code Date 09100800)
267	841552	Screw (Casing Clamp)	300S	808705	Muffler (Starter Side Outlet)	333A	844548	Armature-Magneto (Used After Code Date 09100700).
268	691025	Casing-Control Wire (Cut To Required Length)			----- Note ----- 845873 Muffler (Starter Side Outlet) Used on Type No(s). 0029, 0030, 0051.	333B	845874	Coil-Ignition (Cylinder #1) (Use With Ref 23B) Used on Type No(s). 0029, 0030, 0220, 0222, 0223.
269	691026	Wire-Control (Cut To Required Length)	304	841489	Housing-Blower			
270	691027	Nut (Control Wire Casing)	305	692056	Screw (Blower Housing) (M8x14mm)			
271	692541	Lever-Control	305A	692062	Screw (Blower Housing) (M8x18mm)			
271A	691028	Lever-Control	309	691564	Motor-Starter (Used Before Code Date 11011500). 691564 Motor-Starter Used on Type No(s). 0028, 0032, 0120, 0133, 0195, 0203, 0213, 1195.	334	692066	Screw (Magneto Armature)
273	690681	Seal-O Ring (Oil Pump)						
276	690704	Washer-Sealing (Governor Crank)						
276A	807085	Washer-Sealing (Rocker Cover)						
276B	690724	Washer-Sealing (Fuel Solenoid)						
276C	693497	Washer-Sealing (Aluminum) (17mm O.D.)						
276D	695410	Washer-Sealing (Fuel Solenoid) (Aluminum) (12mm O.D.)						
278	842122	Washer (Governor Control Lever)						

Engine Gasket Set-Reference 358  
Carburetor Overhaul Kit-Reference 121 & 121A

Valve Gasket Set-Reference 1095

# 386400

REF. NO.	PART NO.	DESCRIPTION	REF. NO.	PART NO.	DESCRIPTION	REF. NO.	PART NO.	DESCRIPTION
337	491055s	Plug-Spark ----- <b>Note</b> ----- <b>792015</b> Plug-Spark Used on Type No(s). 0002, 0004, 0005, 0006, 0008, 0010, 0011, 0014, 0016, 0017, 0018, 0020, 0022, 0024, 0027, 0028, 0032, 0034, 0035, 0039, 0040, 0047, 0048, 0049, 0050, 0051, 0065, 0077, 0078, 0079, 0081, 0112, 0113, 0114, 0115, 0119, 0120, 0122, 0125, 0129, 0132, 0133, 0135, 0136, 0140, 0141, 0147, 0149, 0152, 0154, 0158, 0159, 0164, 0165, 0166, 0171, 0172, 0173, 0181, 0182, 0189, 0193, 0198, 0199, 0201, 0203, 0206, 0209, 0213, 0214, 0215, 0216, 0218, 0221, 0224, 0227, 0228, 1147, 1156, 3020, 3047, 3048, 3065, 3077, 3078, 3079, 3201.	388	820799	Lever-Pinion Drive Used on Type No(s). 0125, 0129, 0152, 0154, 0160, 0171, 0175.	474C	592829	Alternator (Tri-Circuit)
			400	846489	Cooler-Oil	474D	696458	Alternator (10-16 Amp)
			405	807163	Screw (Back Plate)	474E	696579	Alternator (20 Amp)
			414	690344	Washer (Bell Crank)	474F	841178	Alternator (20/50 Amp)
			415	794903	Plug (Oil Pressure Switch)	479	807084	Screw (Oil Pump Screen)
			417	843345	Screw (Oil Cooler)	480	806660	Screw (Tube Clamp)
			418	844589	Plate- Carburetor Cover	493	845729	Bracket-Mounting
			425	691593	Screw (M6 x 12mm)	500	691086	Washer (Key Switch)
			431	808659	Elbow-Intake	501	845907	Regulator (10-16 Amp)
			431A	691534	Elbow-Intake	501A	493219	Regulator Used on Type No(s). 0028, 0032, 0034, 0035, 0050, 0113, 0114, 0175, 0181.
			431B	846566	Elbow-Intake	501B	794360	Regulator Used on Type No(s). 0141, 0158, 0189.
			432	691509	Cap-Spring	501C	691573	Regulator Used on Type No(s). 0002, 0008, 0010, 0015, 0016, 0040, 0120, 0156, 0163, 0173, 0191, 0195, 0202, 0216, 0217, 1156, 1195, 2202.
			436D	808908	Manifold-Exhaust (Exhaust Manifold)	501D	841170	Regulator Used on Type No(s). 0020, 0021, 0039, 0124, 0129, 0144, 0147, 0164, 0167, 0194, 0221, 1144, 1147, 3020, 3021.
			437	691902	Screw (Crankcase Cover/Sump)	503	845016	Strap-Starter
			439	692154	Seal-O Ring (Air Cleaner Cartridge)	505	690238	Nut (Governor Control Lever)
			445	692519	Filter- Air Cleaner Cartridge	505A	844752	Nut (Governor Control Lever)
			445A	820263	Filter- Air Cleaner Cartridge	506	807120	Screw (Carburetor Cover)
			445B	845090	Filter-Air Cleaner Cartridge			
347	691995	Switch-Rocker	447	841233	Screw (Air Guide Cover)			
357	691483	Key-Drive Pulley Used on Type No(s). 0005, 0006, 0049, 0119, 0122, 0133, 0134, 0136.	448	841488	Bracket-Oil Cooler			
358	842658	Gasket Set-Engine	455	841794	Cup-Flywheel			
359	691077	Washer (Ground Terminal)	456	845219	Plate-Pawl Friction			
363	19203	Puller-Flywheel	459	845218	Pawl-Ratchet			
365	690866	Screw (Carburetor)	460	806667	Connector- Fuel Adaptor			
373	691612	Nut (Ground Terminal)	466	806466	Seal-O Ring (Breather Assembly)			
377	808095	Key-Woodruff	467	846431	Knob-Air Cleaner (Used After Code Date 1003310).			
377A	691639	Key-Timing			----- <b>Note</b> ----- <b>691985</b> Knob- Air Cleaner (Used Before Code Date 10040100).			
383	19576s	Wrench-Spark Plug	468	690690	Seal-O Ring (Oil Pump Screen)			
385	807084	Screw (Fuel Pump)	474B	592831	Alternator (Dual Circuit)			
387	808656	Pump-Fuel						
387A	845768	Pump-Fuel Used on Type No(s). 0014, 0214.						

Engine Gasket Set-Reference 358  
Carburetor Overhaul Kit-Reference 121 & 121A

Valve Gasket Set-Reference 1095



REF. NO.	PART NO.	DESCRIPTION	REF. NO.	PART NO.	DESCRIPTION	REF. NO.	PART NO.	DESCRIPTION
507	691972	Insulator	573	841310	Plate-Back	614	691550	Pin-Cotter
510	496881	Drive-Starter			----- Note -----	616	806685	Crank-Governor
515	691528	Spring-Pawl			841311 Plate-Back	628	806660	Screw
520	691084	Terminal-Ground			Used on Type No(s).			(Fuel Pump Bracket)
523	693175	Dipstick			0129.	633	690722	Seal-
524	693172	Seal-Dipstick Tube			841127 Plate-Back			Choke/Throttle Shaft
525	693174	Tube-Dipstick			Used on Type No(s).			(Choke Shaft)
525A	693173	Tube-Dipstick			0016, 0024, 0125,	635	692076	Boot-Spark Plug
		Used on Type No(s).			0152, 0154, 0160,	643	692079	Retainer-Air Filter
		0201.			0171, 0175.			(Used Before Code
526	692067	Screw			841314 Plate-Back	643B	844932	Retainer-Air Filter
		(Regulator)			Used on Type No(s).			(Used After Code Date
		(M6 x 12mm)			0018, 0020, 0021,			106/1400).
526A	690717	Screw			0039, 0124, 0144,	643C	845087	Retainer-Air Filter
		(Regulator)			0147, 0194.	650	841233	Screw
		(M6 x 30mm)	577	690795	Cable-Starter			(Oil Deflector)
526B	691547	Screw	578	692306	Wire Assembly	654	690939	Nut
		(Regulator)	578A	844547	Wire Assembly			(Carburetor)
		(M6 x 28mm)			(With Diodes)	663	692083	Screw
527	690423	Clamp-Tube	578C	691999	Wire Assembly			(Control Panel)
529	690744	Grommet	578F	846588	Wire-Assembly	664	691087	Nut
536A	825118	Cleaner-Air	582	809878	Clamp-Air Cleaner			(Key Switch)
		(Cyclonic)			----- Note -----	668	691215	Spacer
544	693548	Armature-Starter			807381 Clamp-Air			(Rotating Screen)
544A		Armature-Starter			Cleaner	668A	691500	Spacer
		(For Replacement	582A	843114	Clamp-Air Cleaner			(Rotating Screen)
		Armature,	587	807116	Clamp-Cable	672	843102	Gasket-
		Order Reference 309,	592	690939	Nut			Carburetor Plate
		691564 Starter Motor)	596	691492	Screw	674	692062	Screw
552	690701	Bushing-			(Oil Pump)			(M8x -18mm))
		Governor Crank	598	807625	Shim-End Play	678	841730	Spacer-Rewind
552A	806686	Bushing-			(Crankshaft or	683	691029	Nut
		Governor Crank			Camshaft Bearing)			(Starter Solenoid)
		(Flanged)	600	845213	Spacer-Air Cleaner	683A	820813	Nut
555	692067	Screw	601	791850	Clamp-Hose			(Starter Solenoid)
		(Starter Solenoid)			(Green)			(Terminal 30)
561	690713	Nut	601A	691145	Clamp-Hose	689	691272	Spring-Friction
		(Control Lever)	601B	691522	Clamp-Hose	689A	843113	Spring-Friction
562	690239	Bolt	601C	691038	Clamp-Hose	691	842826	Seal-Governor Shaft
		(Governor			(Black)	697	692062	Screw
		Control Lever)	601D	841597	Clamp-Hose			(Drive Cap)
563	841735	Screw			(Oil Cooler)			(M8x18mm)
		(Debris Screen Guard)	601E	846483	Clamp-Hose	697A	691902	Screw
565	690682	Stud	608	841729	Starter-Rewind			(Drive Cap)
		(Oil Filter Adapter)	613	691902	Screw			(M8 x 20mm)
					(Muffler)	711	691492	Screw
					(M8x20mm)			(Carburetor Shield)
			613A	690297	Screw	717	843332	Bracket-Air Cleaner
					(Muffler)			(Used After Code Date
					(1/4-20 x .62)			07102400).
			613B	692328	Screw	717A	691539	Bracket-Air Cleaner
					(Muffler)			(Used Before Code
					(3/8-16 x .62)			Date (07102500).

Engine Gasket Set-Reference 358  
Carburetor Overhaul Kit-Reference 121 & 121A

Valve Gasket Set-Reference 1095

# 386400

REF. NO.	PART NO.	DESCRIPTION	REF. NO.	PART NO.	DESCRIPTION	REF. NO.	PART NO.	DESCRIPTION
717B	841886	Bracket-Air Cleaner	801		Cap-Drive (No Longer Available, For Replacement Order Starter Motor, Reference 309)	868	691963	Seal-Valve (Intake Valve)
717C	692153	Bracket-Air Cleaner				871	692057	Bushing-Valve Guide
718	806469	Pin-Locating (Cylinder)				878	398661	Harness-Alternator
718A	841581	Pin-Locating	802	691286	Cap-End	878A	691955	Harness-Alternator
725	846568	Shield-Heat	803		Housing-Starter (No Longer Available, For Replacement Order Starter Motor, Reference 309)	878B	691362	Harness-Alternator
727	841313	Cover-Starter Drive				879	841607	Cover-Carburetor
728	692067	Screw (Shield-Heat)	804	844727	Canister-Carbon	879A	842128	Cover-Carburetor Used on Type No(s). 0002, 0005, 0008, 0010, 0011, 0012, 0015, 0116, 0017, 0025, 0027, 0029, 0030, 0031, 0047, 0048, 0049, 0051, 0052, 0054, 0065, 0077, 0078, 0079, 0112, 0113, 0114, 0121, 0125, 0127, 0131, 0135, 0138, 0141, 0142, 0148, 0150, 0153, 0154, 0155, 0156, 0159, 0160, 0163, 0164, 0165, 0166, 0171, 0172, 0173, 0176, 0180, 0181, 0182, 0183, 0185, 0190, 0191, 0198, 0203, 0204, 0209, 0211, 0213, 0215, 0216, 0218, 0219, 0220, 0222, 0223, 0227, 0228, 1138, 1156, 1160, 1204, 2121, 2131, 2148, 2185, 2190, 2202, 3047, 3048, 3065, 3077, 3078, 3079.
729	690586	Clip-Wire	806	844727	Clamp			
732	690688	Screw (Starter Drive Cover) (#4 x 8mm)	813	690635	Clamp			
732A	807163	Screw (Starter Drive Cover) (Lock-Washer Head) (M6 x 10mm)	813A	807377	Clamp			
732B	841233	Screw (Starter Drive Cover) (Flange Washer Head) (M6 x 10mm)	816	690706	Washer (Oil Filter Adapter) (Lockwasher)			
737	690679	Screw (Oil Filter Adapter)	816A	806647	Washer (Oil Filter Adapter) (Flat Washer)			
737A	841233	Screw (Oil Filter Adapter) (M6 x 10mm)	819	692056	Screw (Muffler Bracket) (M8 x 14mm)			
738	690706	Washer (Air Guide Cover)	829	841999	Hose-Oil (Cut To Required Length)			
741	691530	Gear-Timing	830	809157	Stud-Rocker Arm			
788	691559	Bracket-Fuel Pump	833	807084	Screw (Air Cleaner Mounting Strap/Stud) (M6 x 14mm)			
789	691996	Harness-Wiring ----- Note ----- 691578 Harness- Wiring Used on Type No(s). 0002, 0006, 0008, 0010, 0015, 0156, 0163, 0173, 0191, 0216, 1156, 2202. 841318 Harness- Wiring Used on Type No(s). 0125, 0154, 0160, 0171, 0227, 0228, 1160. 846067 Harness- Wiring Used on Type No(s). 0016.	833B	691593	Screw (Air Cleaner Mounting Strap/Stud) (M6x12mm)			
789A	844914	Harness-Wiring	837	808085	Spacer-Muffler			
789E	594586	Harness-Wiring	840		Kit-Panel <b>(NO LONGER AVAILABLE)</b>			
789G	594607	Harness-Wiring	849	691088	Screw (Stub Shaft)	879B	842132	Cover-Carburetor
797	691029	Nut (Brush Retainer)	851	493880s	Terminal-Spark Plug	883	806425	Gasket-Exhaust
			865	841319	Cover-Air Guide (Valley Extension) Used on Type No(s). 0014, 0113, 0122, 0149, 0152. ----- Note ----- 841231 Cover- Air Guide (Valley Extension) Used on Type No(s). 0201, 3201.	884	691956	Clamp-Muffler Used on Type No(s). 0133, 0159.
			865A	843768	Cover-Air Guide	892	692318	Switch-Key
						893	845758	Nut (Starter Solenoid) Used on Type No(s). 0016, 0024, 0125, 0129, 0152, 0154, 0160, 0171, 0175.
						899	691077	Washer (Starter Solenoid)

Engine Gasket Set-Reference 358  
Carburetor Overhaul Kit-Reference 121 & 121A

Valve Gasket Set-Reference 1095

REF. NO.	PART NO.	DESCRIPTION	REF. NO.	PART NO.	DESCRIPTION	REF. NO.	PART NO.	DESCRIPTION
918	791880	Hose-Vacuum (Cut To Required Length)	958	692008	Valve-Fuel Shut Off	1024A		Pump-Oil (Oil Pump is No Longer Available) (See Reference 18 for correct replacement)
920	691656	Solenoid-Starter	961	807084	Screw (Air Cleaner Bracket) (M6 x 14mm)			Crankcase Cover) (Used Before Code Date 07101500).
920A	845757	Solenoid-Starter (Starter Motor) Used on Type No(s). 0016, 0024, 0125, 0129, 0152, 0154, 0160, 0171, 0175.	964	590799	Cap-Connector	1025	690689	Spool-Governor
920B	557067	Solenoid-Starter Used on Type No(s). 0002, 0005, 0006, 0008, 0010, 0011, 0012, 0015, 0017, 0018, 0022, 0025, 0027, 0030, 0035, 0039, 0040, 0049, 0051, 0052, 0054, 0112, 0156, 0173, 0216, 1156, 2202, 3065, 3077, 3201.	967	692520	Filter-Pre Cleaner	1026	691836	Rod-Push (Intake) (Steel)
		----- Note ----- 845269 Solenoid-Starter Used on Type No(s). 0006, 0029, 0127, 0176, 0185, 0190, 0204, 0211, 0220, 0223, 1204, 2185, 2190.	967C	271794s	Filter-Pre Cleaner	1026A	691758	Rod-Push (Exhaust) (Aluminum)
930	841490	Guard-Rewind	968	808654	Cover-Air Cleaner	1027	842921	Filter-Oil
934	691058	Screw (Fan Retainer)	968A	841822	Cover-Air Cleaner	1028	843898	Adapter-Oil Filter
947	845654	Solenoid-Fuel (Used After Code Date 11041300). Used on Type No(s). 0152, 0175, 0181, 0193, 0201, 0209, 0228, 3065.	968B	842620	Cover-Air Cleaner	1028A	808537	Adapter-Oil Filter
947A	841546	Solenoid-Fuel (Used Before Code Date 11041400 and After Code Date 09011900).	971	807084	Screw (Air Cleaner Base to Carburetor) (M6 x 14mm)	1029	807323	Arm-Rocker
947B	808624	Solenoid-Fuel (Used Before Code Date 09012000).	972C	844726	Tank-Fuel Plastic	1036		Label-Emissions (Available from a Briggs & Stratton Authorized Dealer)
949	845728	Guard-Debris Screen	974	690941	Nut (Air Cleaner Clamp)	1044	692056	Screw (Flywheel)
950	694919	Screw-Float Bowl	975	844591	Bowl-Float (Used After Code Date 09031500).	1046	841165	Plug-Blower Housing
953	845030	Screen-Air Cleaner	975A	841160	Bowl-Float (Used Before Code Date 09031600).	1047	841580	Shaft-Stub Used on Type No(s). 0129, 0136, 0149, 0165, 0195, 0214, 0221, 1195.
955	808176	Plug-Carburetor (Fuel Solenoid)	987	691000	Seal-Throttle Shaft	1047A	844148	Shaft-Stub Used on Type No(s). 0014.
955A	807723	Plug-Carburetor	987A	808183	Seal-Throttle Shaft	1051	691124	Ring-Retaining
957A	844728	Cap-Fuel Tank (Plastic) (With Tether)	988	692063	Gasket-Oil Adapter	1054	280275	Tie-Cable
			990	691959	Key Set	1059	698516	Kit-Screw/Washer (Alternator)
			996	845212	Shield-Carburetor	1068	845143	Clamp-Hose
			996A	845543	Shield-Carburetor	1090	691293	Retainer-Brush
			996B	845210	Shield-Carburetor	1090A	496813	Retainer-Brush Used on Type No(s). 0120, 0133, 0195, 0203.
			1004	806422	Duct-Air			----- Note ----- 825412 Retainer- Brush Used on Type No(s). 0125, 0129, 0132, 0134, 0152, 0154, 0160, 0171, 0175, 0185, 0190.
			1005	841439	Fan-Flywheel			
			1006	690452	Retainer-Fan			
			1009	806474	Screw (Starter Motor) (M8x98mm) Used on Type No(s). 0125, 0129, 0152, 0154, 0160, 0171, 0175.			
			1009A	691902	Screw (Starter Motor) (M8x20mm)			
			1017	690900	Screen-Oil Pump			
			1022	806039s	Gasket-Rocker Cover			
			1023	843749	Cover-Rocker			
			1023A	843750	Cover-Rocker (Cylinder 2)			
			1023B	690910	Cover-Rocker			
			1023C	842823	Cover-Rocker			
			1024	843825	Pump-Oil (Used After Code Date 07101400).			

Engine Gasket Set-Reference 358  
Carburetor Overhaul Kit-Reference 121 & 121A

Valve Gasket Set-Reference 1095

# 386400

REF. NO.	PART NO.	DESCRIPTION	REF. NO.	PART NO.	DESCRIPTION	REF. NO.	PART NO.	DESCRIPTION
1091	691516	Cap-Limiter	1254	807084	Screw (Rocker Cover Stud)	1406	842623	Valve-Debris
1095	842662	Gasket Set-Valve	1315	843111	Hose-Air Cleaner	1416	807468	Cap-Carburetor
1100	791959	Pivot-Rocker Arm	1319	794467	Label-Warning	1422	691551	Washer (Air Guide) (Lockwasher) (Cylinder 1)
1119	691552	Screw (Alternator)	1328	716244	Cap-A/C Rain (Use with 4" A/C)	1422A	690706	Washer (Air Guide)
1120	690238	Nut (Air Guide Cover)	1330	272144	Repair Manual	1425	844712	Hose-Purge Line (Cut to Required Length) Used on Type No(s). 0020, 0021, 0048, 0065, 0077, 0079, 0155, 0191, 0196, 3065.
1124	842678	Seal-O Ring (Fuel Transfer Tube) (Fuel Transfer Tube)	1334	841233	Screw (Air Guide) (M6 x 10mm)	1425A	845717	Hose-Purge Line (Cut To Required Length) Used on Type No(s). 3201.
1127	841621	Screw (Float Bowl)	1334A	692067	Screw (Air Guide) (M6 x 14mm)	1426	690238	Nut (Air Guide)
1127A	690885	Screw (Float Bowl) Used on Type No(s). 0132, 0134, 0185, 0190.	1337	692062	Screw (Air Cleaner Clamp) (M8 x 18mm)	1431	844035	Washer (Tube Clamp) Used on Type No(s). 0020, 0021, 0048, 0065, 0077, 0079, 0155, 0191, 0196, 1160.
1131	842067	Nut (Crankcase Cover/Sump) Used on Type No(s). 0158.	1337A	843112	Screw (Air Cleaner Clamp)			
1133	690342	Screw (Crankshaft)	1346	492031	Valve- Oil Drain Shut Off Used on Type No(s). 0122.			
1135	806497	Washer (Crankcase Cover/Sump)	1392	690939	Nut (Rewind Guard)			
1155	806647	Washer (Oil Cooler)	1395	692539	Screw (Air Cleaner Base to Carburetor) (M6 x 10mm)			
1157	806447	Nut (Bell Crank)	1395A	691492	Screw (Air Cleaner Base to Carburetor) (M6 x 30mm)			
1169	841620	Screw (Carburetor Cover Plate)						

Engine Gasket Set-Reference 358  
Carburetor Overhaul Kit-Reference 121 & 121A

Valve Gasket Set-Reference 1095

Not for  
Reproduction

Not for  
Reproduction

Not for  
Reproduction

Not for  
Reproduction

