



Rockford Sanitary Systems, Inc.

ROCKFORD, IL 61125-0963

(815) 229-5077 - (800) 747-5077 - FAX (815) 229-5108

WEB SITE-www.rkfdseparators.com E MAIL-rssem@rkfdseparators.com

MODEL NO. RCB-20

CATCH BASIN/SAND INTERCEPTOR

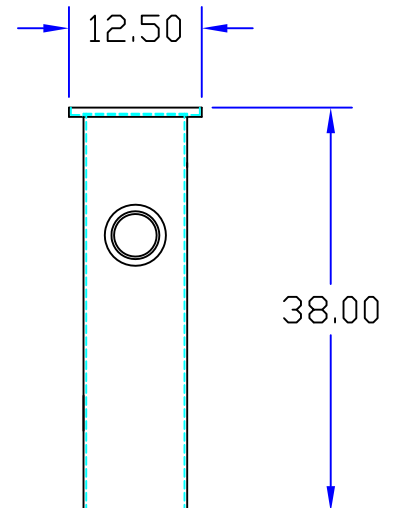
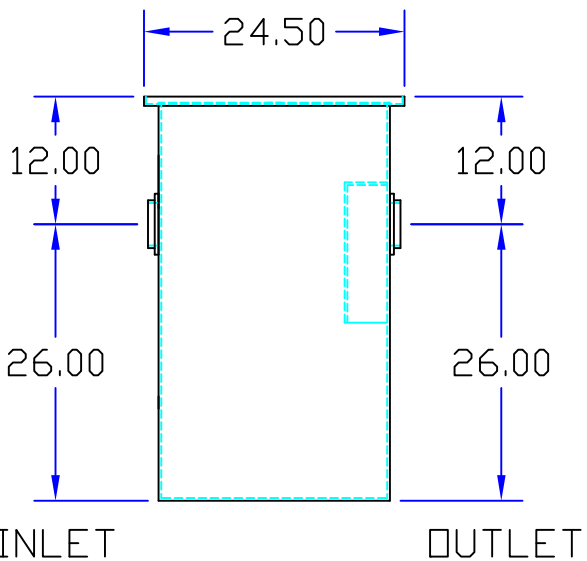
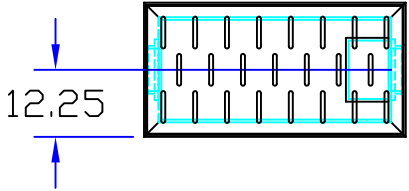
DRAWN BY
W.R.W.

QUOTE #

JOB NAME

OPTIONAL FEATURES (ADDITIONAL COST)

- ANCHOR FLANGE
- EPOXY COATING
- LIGHT TRAFFIC REINFORCED COVERS
- HEAVY TRAFFIC REINFORCED COVERS
- STAINLESS STEEL CONSTRUCTION
- INTEGRAL EXTENSION _____ INCHES
- INLET & OUTLET SIZE _____ INCHES
- SOLID NON-SKID TREADPLATE COVER



Specifications

Rockford Model RCB-20 Catch basin/sand interceptor all welded A36 1/4" steel, 20 gallon static capacity, 4.00" threaded inlet/outlet with outlet trap seal (1) 3/8" slotted grate (for flush-with-floor installation) for pedestrian traffic, OPEX SHOP COAT coating inside & bituminous coating outside.

Optional features (Additional cost) listed above

Approved By

Company

Date