



# BIOHAZARD SPILL MOP

The new RCP Biohazard Spill Mop is a safe way to quickly remove liquid biohazard spills.

## Features and Benefits:

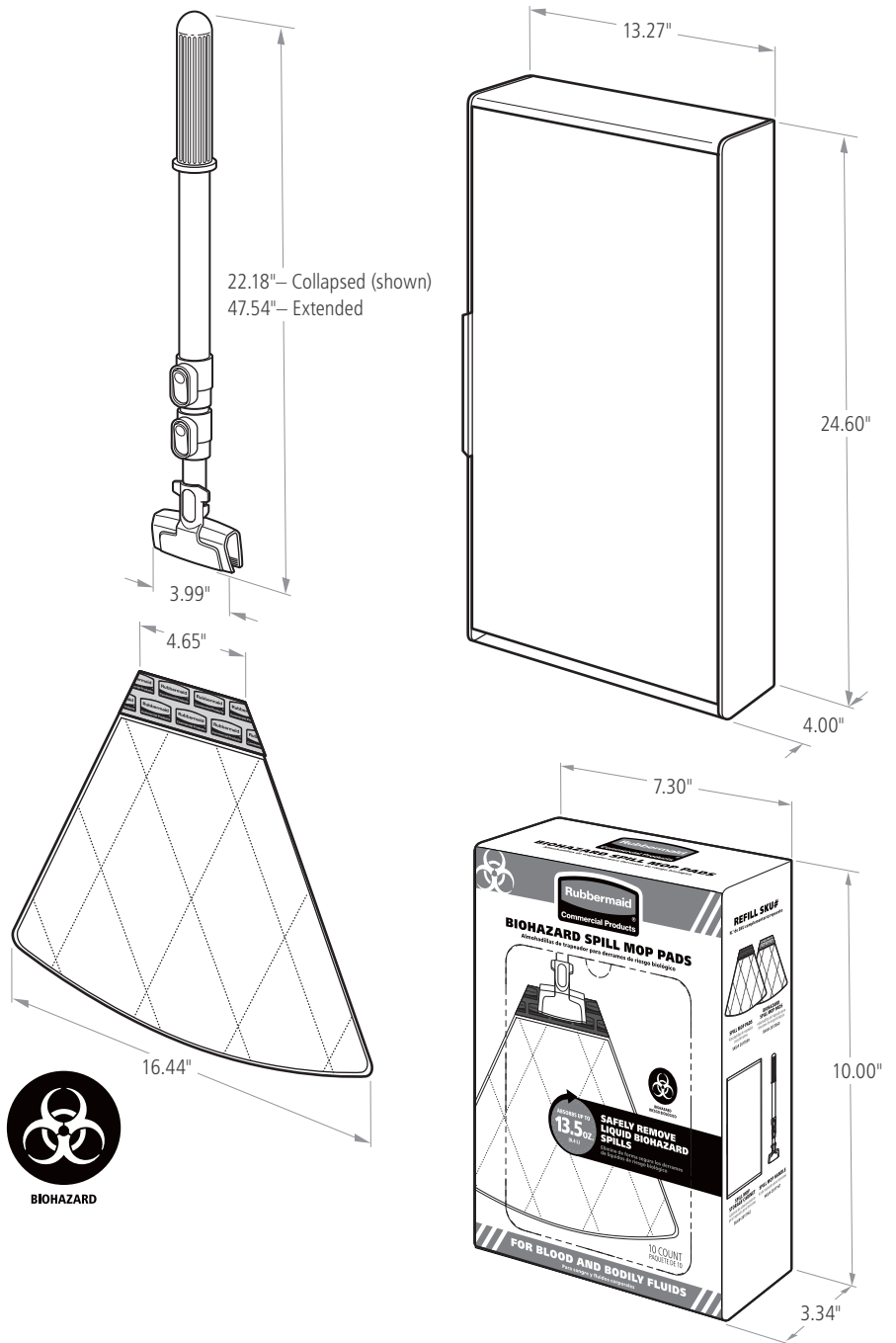
- Mop handle is designed with a release lever, which minimizes contact with soiled mop when disposing
- Mop head is disposable and designed for one-time use, which prevents cross-contamination
- Once fully absorbed, the liquid becomes gel, so it will not drip when lifting
- Absorbs up to 13.5 ounces of NaCl 0.9% and 32 ounces of water
- Leaves floor drier than an RCP cotton string mop
- Mop heads and handle are compact enough to fit conveniently in most spaces
- Storage cabinet, which can hold a handle and up to 20 mop heads, can be mounted near common spill locations

## Colors Available:

- Spill Mop Pad: Yellow
- Spill Mop Handle: Yellow
- Spill Mop Storage Cabinet: Gray

## Material Composition:

- Spill Mop Pad:
  - Interior Layer: Polyacrylate
  - Exterior Layer: Nonwoven Material
- Spill Mop Handle: Nylon 66, Galvanneal, Aluminum, Polypropylene, and Stainless Steel
- Spill Mop Storage Cabinet: ABS



SKU #	DESCRIPTION	COLOR	COLLAPSED LENGTH IN	EXTENDED LENGTH IN	WIDTH IN	HEIGHT IN	DEPTH IN	WEIGHT LB	PACK
2017060	BIOHAZARD SPILL MOP PADS 10 CT	YELLOW	N/A	N/A	7.30"	10.00"	3.34"	1.50	10
2017161	SPILL MOP HANDLE	YELLOW	22.18"	47.54"	3.99"	N/A	N/A	1.00	12
2017162	SPILL MOP STORAGE CABINET	GRAY	N/A	N/A	13.27"	24.60"	4.00"	5.70	1
2031094	SPILL MOP BIOHAZARD KIT INCLUDES 1 BIOHAZARD SPILL MOP PADS 10 CT, 1 SPILL MOP HANDLE, AND 1 SPILL MOP STORAGE CABINET	GRAY	N/A	N/A	13.27"	24.60"	4.00"	8.20	1

