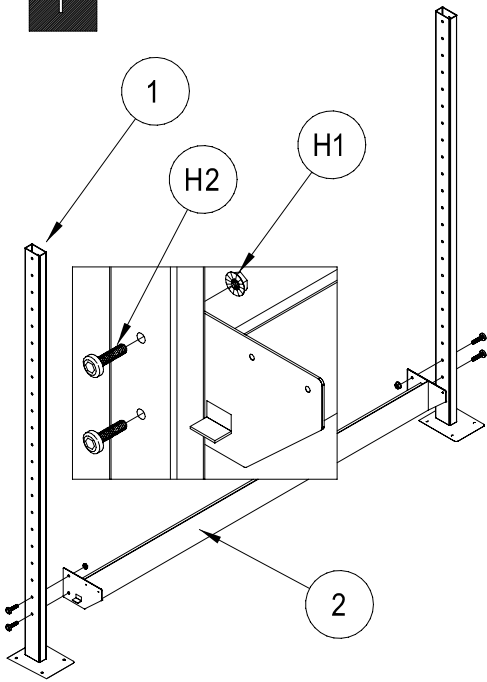




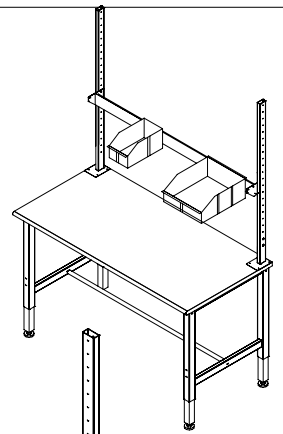
www.globalindustrial.com
1-800-645-2986

OPTIONAL BIN RAIL ASSEMBLY INSTRUCTION

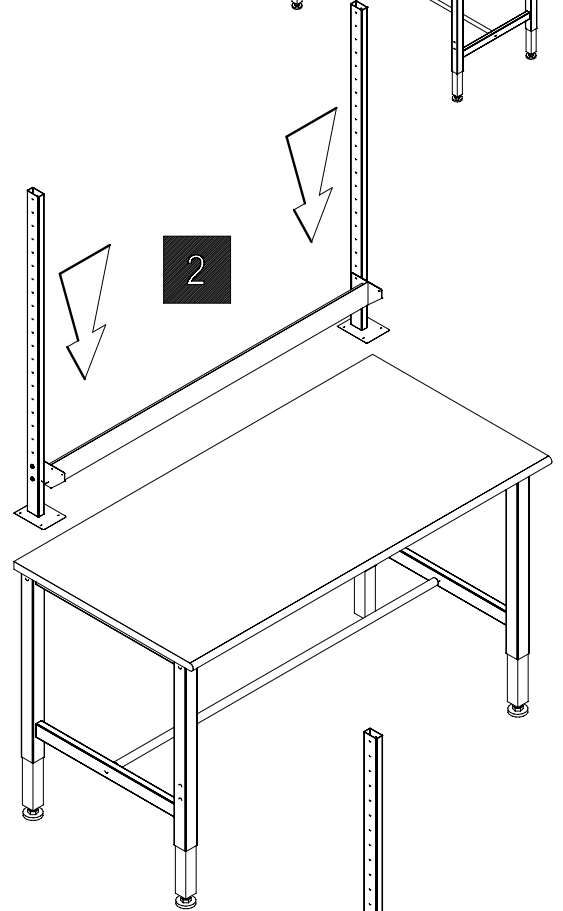
1



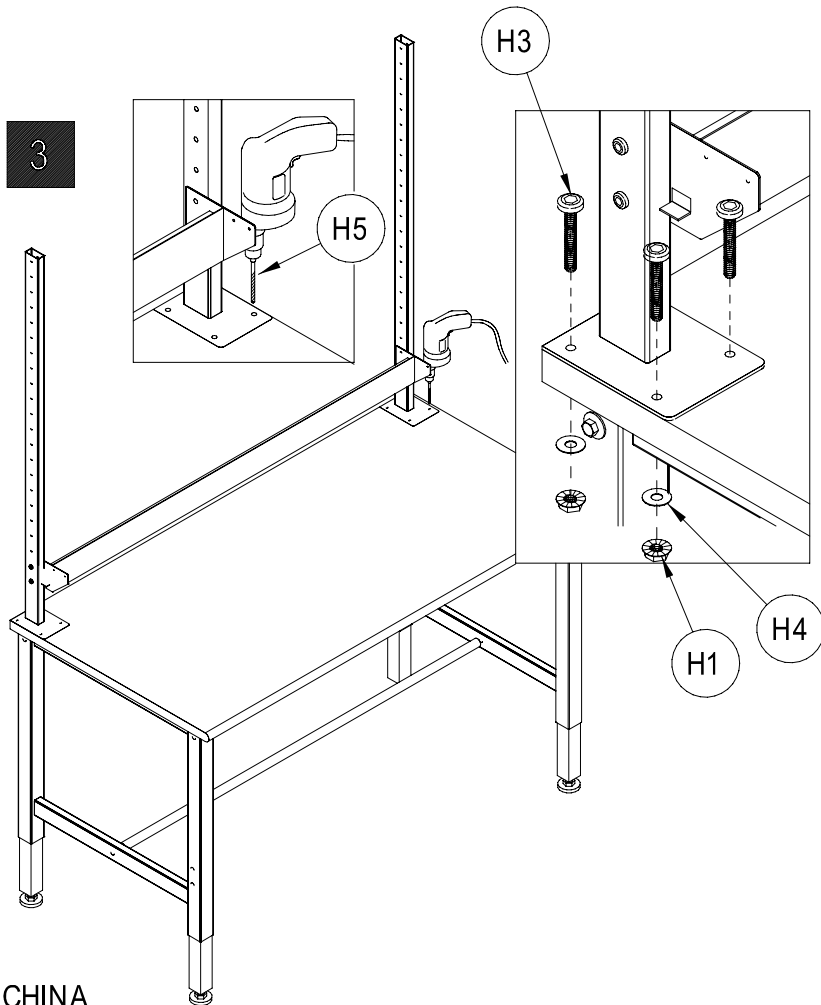
CONTENTS		
REF.	QTY.	DESCRIPTION
1	2	UPRIGHT
2	2	BIN RAIL
H1	12	
H2	4	
H3	8	
H4	8	
H5	1	
1	1	



2

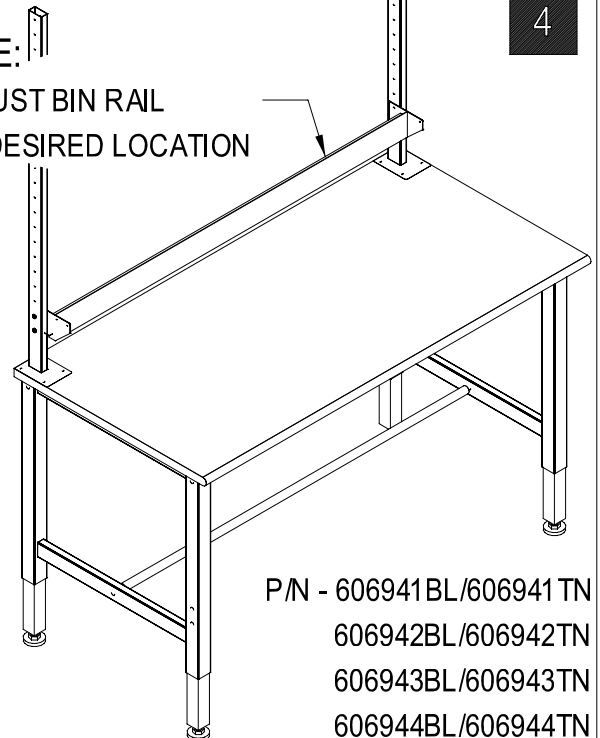


3



4

NOTE:
ADJUST BIN RAIL
TO DESIRED LOCATION



P/N - 606941BL/606941TN
606942BL/606942TN
606943BL/606943TN
606944BL/606944TN