

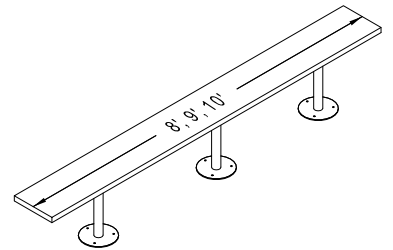
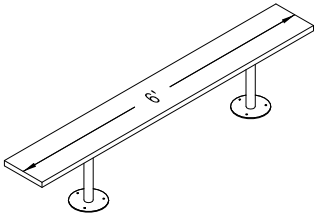


www.globalindustrial.com

1-800-645-2986

LOCKER BENCH

ASSEMBLY INSTRUCTION



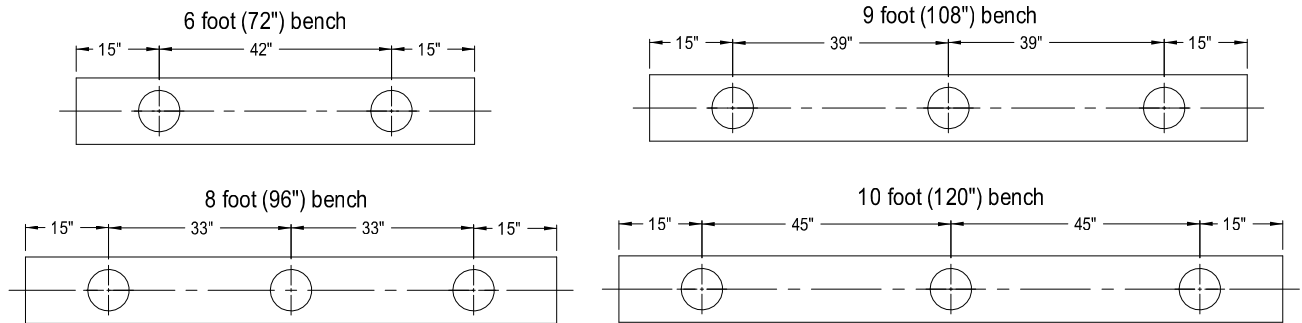
Model 183670

CONTENTS 6' BENCH					
REF.	QTY.	DESCRIPTION	REF.	QTY.	DESCRIPTION
1	2	PEDESTAL LEG			
2	1	BENCH TOP	H1	6	
				1	

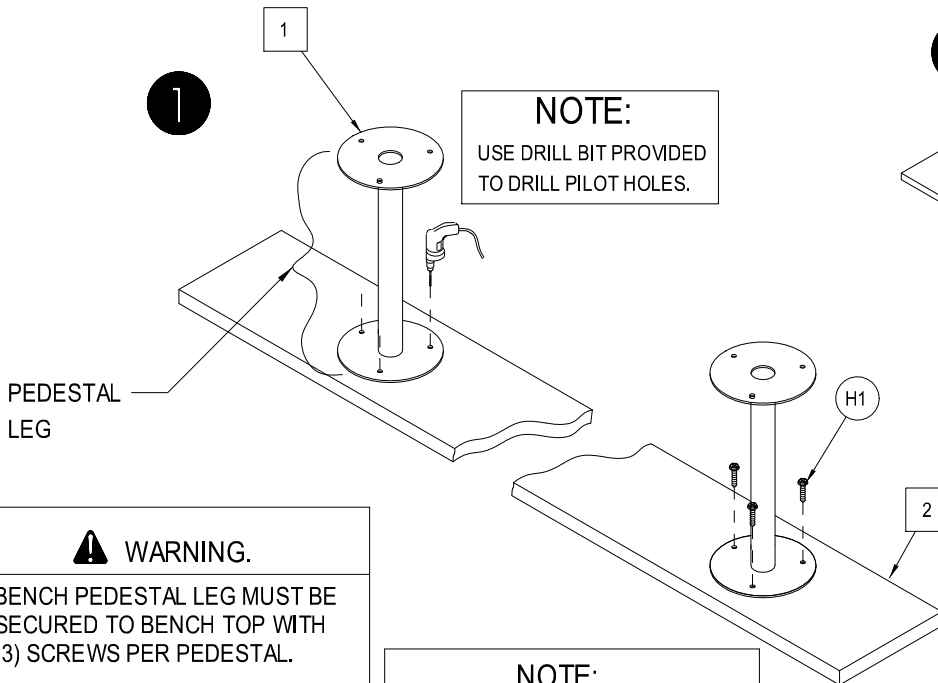
Model 183672, 183674, 183676

CONTENTS 8', 9', 10' BENCH					
REF.	QTY.	DESCRIPTION	REF.	QTY.	DESCRIPTION
1	3	PEDESTAL LEG			
2	1	BENCH TOP	H1	9	
				1	

BENCH PEDESTAL LEG POSITION

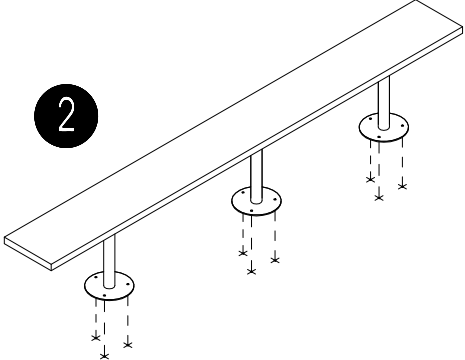


1



NOTE:
USE DRILL BIT PROVIDED TO DRILL PILOT HOLES.

2



WARNING.
BOLT BENCH BASES TO FLOOR
USE ALL MOUNTING HOLES PROVIDED.

WARNING.

1. BENCH PEDESTAL LEG MUST BE SECURED TO BENCH TOP WITH (3) SCREWS PER PEDESTAL.
2. BENCH MUST BE BOLTED TO FLOOR TO PREVENT TIPPING BEFORE USE.

NOTE:
8', 9' AND 10' LONG BENCHES REQUIRE (3) PEDESTAL LEGS.

NOTE:
NO ANCHOR HARDWARE PROVIDED.
USE APPROPRIATE HARDWARE FOR FLOOR CONDITION.