

# INTERLAKE MECALUX, Inc.

1600 N. 25th Ave.  
 Melrose Park, IL. 60160  
 Phone: 1-877-MECALUX (632-2589)  
 Fax: 708-344-9788  
[www.interlakemecalux.com](http://www.interlakemecalux.com)

# Selective Pallet Rack Quote Request Form

Product type:                      Frame type:  
 Roll formed                      Bolted  
 Structural                          Welded

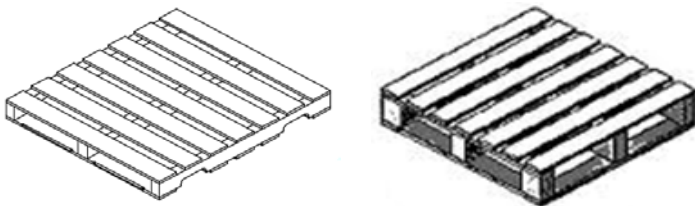
Account Executive (please copy)		Date In	Due Date	Lead Number
Name:				
Phone:				
Email:				

Distributor	
Company name:	
Address:	
City, Zip code, State:	
Contact person:	
Email:	
Phone:	
Fax:	

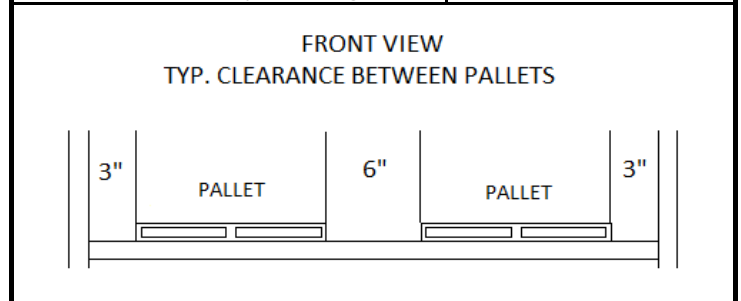
End User	
Company name:	
Address:	
City, Zip code, State:	
Contact person:	
Email:	
Phone:	
Fax:	

Pallet & Load		
	Pallet	Load
Width [in]:		
Depth [in]:		
Height [in]:		
Max. weight [lbs]:		
Avg. weight [lbs]:		
Load per level [lbs]:		
Standard GMA / CHEP pallet?		
Pallet type:		

Bay	
Frame height [in]:	
Frame depth [in]:	
Beam length / Bay width [in]:	
Number of beam levels per bay:	
Number of pallets per beam level:	
Typ. beam span (TOB to TOB) [in]:	
Number of single rows:	
Number of back to back rows:	
Row spacer length [in]:	



\* If pallet type is not standard GMA/CHEP pallet, then detail information about the pallet must be provided to complete the quote.



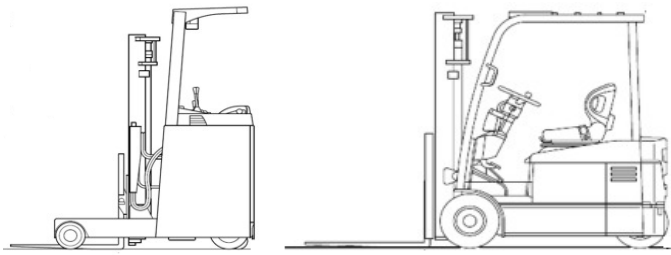
Options				
Distance between beam levels (TOB to TOB)	Floor to 1st [in]:		Welded frame options	
	1st to 2nd [in]:		90-deg def. base:	
	2nd to 3rd [in]:		Sloped leg def. base:	
	3rd to 4th [in]:		Bolted frame options	
	4th to 5th [in]:		Assembled:	
	5th to 6th [in]:		Shipped loose:	
	6th to 7th [in]:		Column protectors	
			Anchored to floor:	
			Bolted to frame:	
Beam accessories	Double flanged crossbar:		Additional requirements	
	Roll-In crossbar:			Building clear height:
	12" wide shelf panel:			Anchors required?:
	6" wide shelf panel:		Shims required?:	
	Drum cradle:		Wire deck type	
	Drum/Coil bed:			Outside waterfall:
Fork clearance bar:		Inside waterfall:		
			Flush:	

**INTERLAKE MECALUX, Inc.**

1600 N. 25th Ave.  
 Melrose Park, IL. 60160  
 Phone: 1-877-MECALUX (632-2589)  
 Fax: 708-344-9788  
[www.interlakemecalux.com](http://www.interlakemecalux.com)

**Selective Pallet Rack  
 Quote Request Form**

Seismic Information	
Seismic preliminary calculations required? **	
End location zip code:	
End location latitude ( <b>PREFERRED</b> ):	
End location longitude ( <b>PREFERRED</b> ):	
Concrete slab thickness [in]:	
Concrete slab strength [psi]:	
Slab reinforcement:	
Soil strength [psf]:	
** By selecting that seismic preliminary calculations are not required: 1) Seismic prelims will not be run. Only static loads design will be provided. 2) It is assumed that the customer is bearing the responsibility of having the design checked to meet the specific seismic requirements of the project location. 3) Should it be determined later that the project requires permitting with stamped drawings and calculations we cannot guarantee that the quoted system will be adequate. There will be added costs for PE calculations and stamping, and there will be additional time required to complete this. ** By selecting that seismic preliminary calculations are required: 1) If only the zip code is provided, then seismic preliminary calculations will be run based on average seismic coefficients values within the zip code area. Rack design may vary if actual seismic coefficients are higher than average, based on the zip code. 2) End user location latitude and longitude are preferred to provide accurate rack design. 3) When providing lead times to customer, additional time will need to be added to the project schedule to account for seismic design.	

Forklift Truck ***	
Forklift truck class	Class I - electric and counterbalanced
	Class II - electric and narrow aisle truck with outriggers
	Class III - electric and manual walkies
	Class IV - internal combustion and counterbalanced
Forklift truck height [in]:	
Forklift truck width [in]:	
Max. forklift truck reach [in]:	
Min. working aisle width required [in]:	
	
*** It is distributor responsibility to provide forklift specifications	

Additional Notes / Sketch Area