

This Manual Must Be Read Before Operating The Equipment

Owner / Operator's Manual



The Commercial Turf Choice

SPREADERS
TS85SS



Madison Heights, Michigan 48071
866-5TURFEX

CUSTOMER COPY

Protected by the following patents, #6,089,478, #6,088,865, #Des.425,915
and other pending U.S. and foreign patent applications.

INTRODUCTION.....	3
GENERAL INFORMATION	4
SAFETY	5-6
SPREADER PARTS/DIAGRAMS.....	7-15
OPERATING THE SPREADER	16
CALIBRATION INFORMATION	17
WARRANTY	18
NOTES PAGE	19

Have a question or need assistance?
TurfEx Customer Service
(866) 5TURFEX

or (586) 756-6555

Monday through Friday 8:00 AM to 4:30 PM EST

Fax: (586) 755-0338

E-Mail: customercare@trynexfactory.com

Website: www.turfexproducts.com

This manual has been designed for your help. It will assist you and instruct you on the proper set-up, installation and use of this spreader. Refer to the table of contents for an outline of this manual.

We require that you read and understand the contents of this manual completely (especially all safety information) before attempting any procedure contained herein. Extra copies of Owner/Operator Manuals can be purchased at your Turfex Dealer.



THIS SIGN SHOULD ALERT YOU:

The Society of Automotive Engineers has adopted this SAFETY ALERT SYMBOL to pinpoint characteristics that, if NOT carefully followed, can create a safety hazard. When you see this symbol in this manual or on the machine itself, BE ALERT! Your personal safety and the safety of others is involved.

Defined below are the SAFETY ALERT messages and how they will appear in this manual:



DANGER

(RED)

Information that, if not carefully followed, can cause death!



WARNING

(ORANGE)

Information that, if not carefully followed, can cause serious personal injury or death!



CAUTION

(YELLOW)

Information that, if not carefully followed, can cause minor injury or damage to equipment.

CONGRATULATIONS!

The spreader you have purchased is an example of quality and performance. Your spreader's self-contained design is a trademark of all Turfex products. Here's why...

SIMPLICITY: Manufactured from higher quality components means minimal maintenance for your TurfexEx spreader.

RELIABILITY: Polyethylene hopper combined with a custom engineered stainless steel frame found only on Turfex products.

VERSATILITY: Multi-use capabilities allows spreading of a variety of materials for turf management.

WARRANTY: Best in the industry, hands down! 2 years standard.

The benefits you are about to recognize are that of time, money and effort. We welcome you to the world of Turfex Performance.



Before attempting any procedure in this book, these safety instructions must be read and understood by all workers who have any part in the preparation or use of this equipment.

For your safety, warning and information decals have been placed on this product to remind the operator of safety precautions. If anything happens to mark or destroy the decals, please request new ones from Turfex.



Remember, most accidents are preventable and caused by human error. Exercising of care and precautions must be observed to prevent the possibility of injury to operator or others!



Never operate equipment when under the influence of alcohol, drugs, or medication that might alter your judgment and/or reaction time.



Before working with the spreader, secure all loose fitting clothing and unrestrained hair.



Always wear safety glasses with side shields when working metal against metal. Failure to do this could result in serious injury to the eyes.



Never allow children to operate or climb on equipment.
Never weld or grind on equipment without having a fire extinguisher available.
Always check areas to be spread to be sure no hazardous conditions or substances are in the area. Always inspect unit for defects: broken, worn or bent parts, weakened areas on spreader.



Always make sure personnel are clear of areas of danger when using equipment.



Remember, it is the owner's responsibility to communicate information on safe usage and proper maintenance of all equipment.

 **CAUTION**

Never use wet materials, or materials with foreign debris with any of these spreaders. These units are designed to handle dry, clean, free-flowing material.

 **CAUTION**

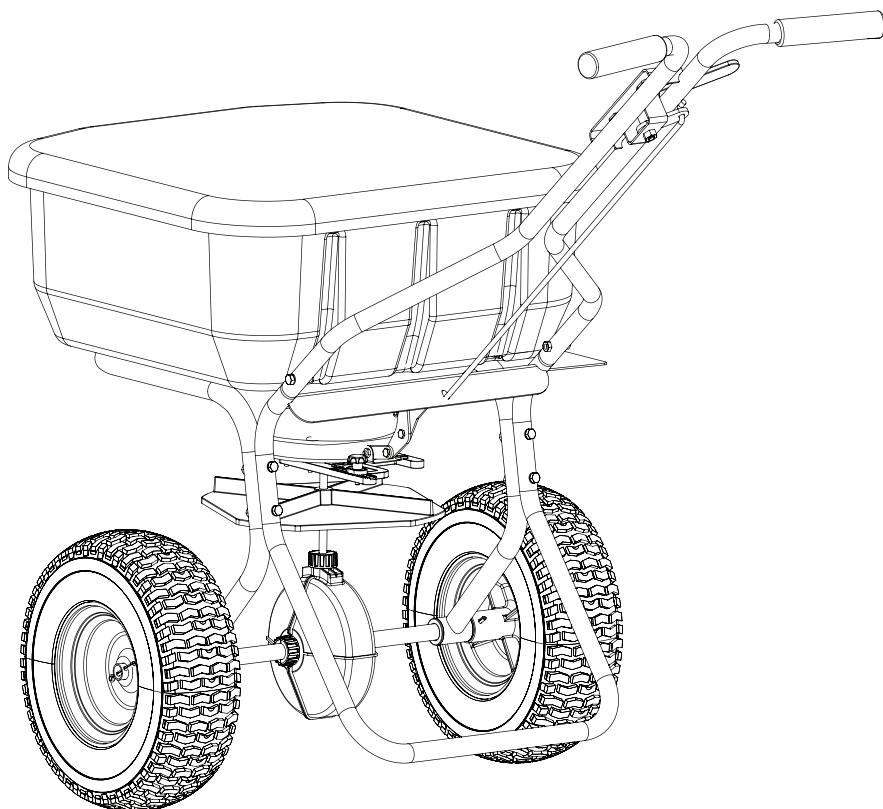
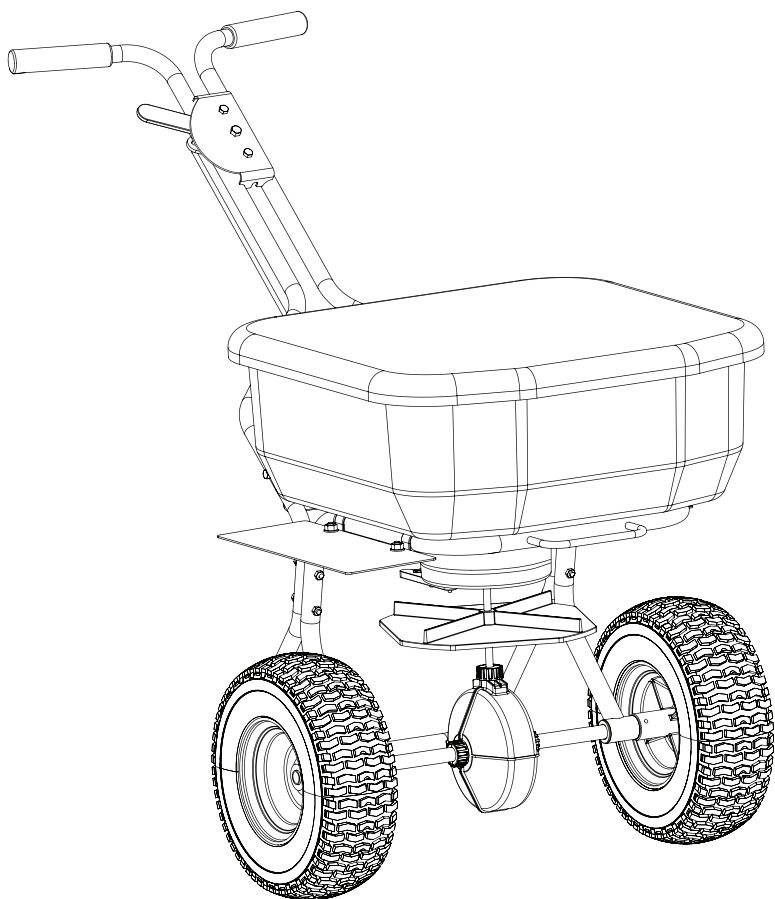
Never leave material in hopper for long periods of time. Be aware that fertilizers are hygroscopic and will attract atmospheric moisture and harden up.

 **WARNING**

Inspect the unit periodically for defects. Parts that are broken, missing, or worn out must be replaced immediately. The unit or any part of it can not be altered without prior written permission from the manufacturer.

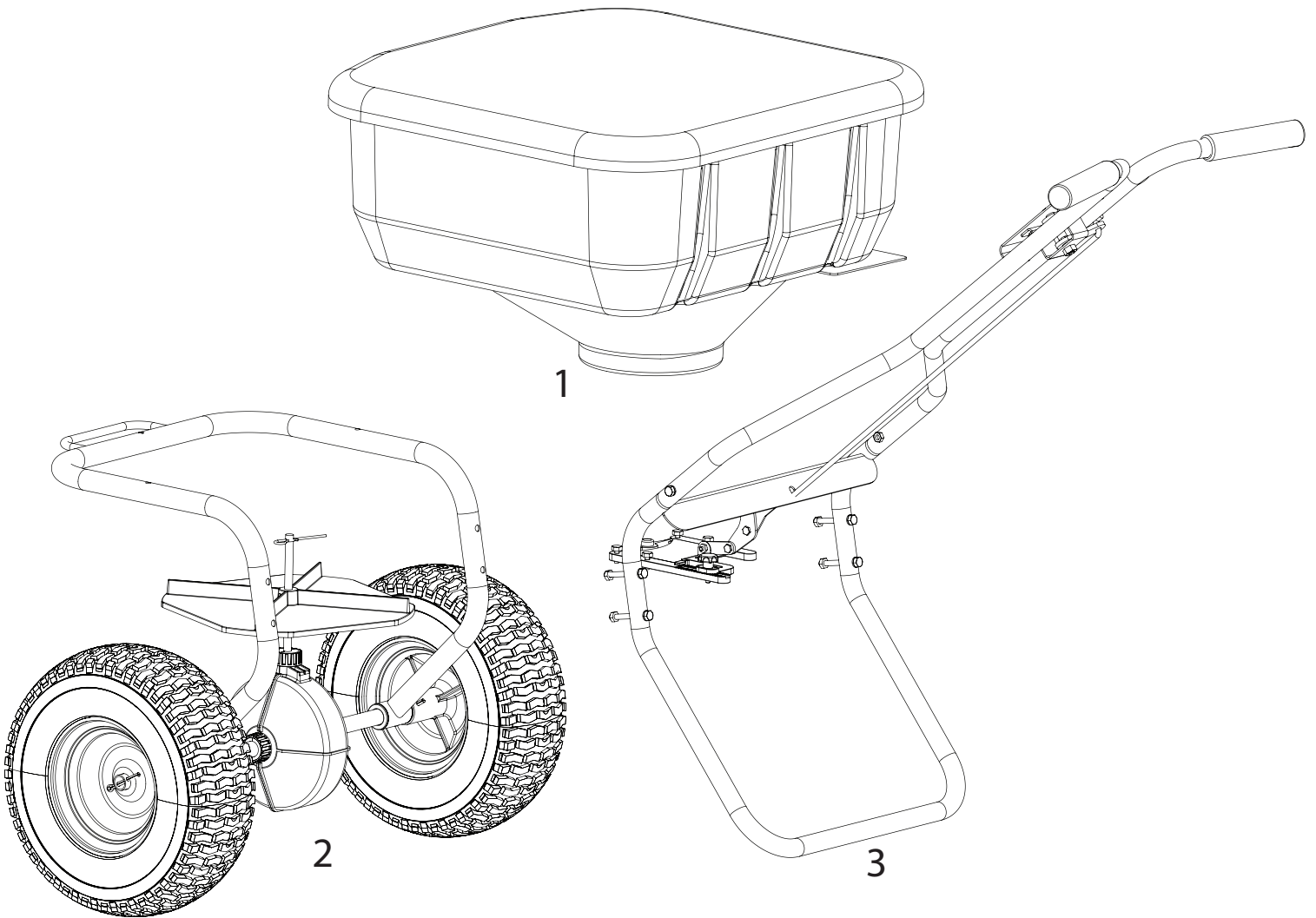
Main Assembly Views

Model #TS85SS



Sub-Assembly Parts Breakdown

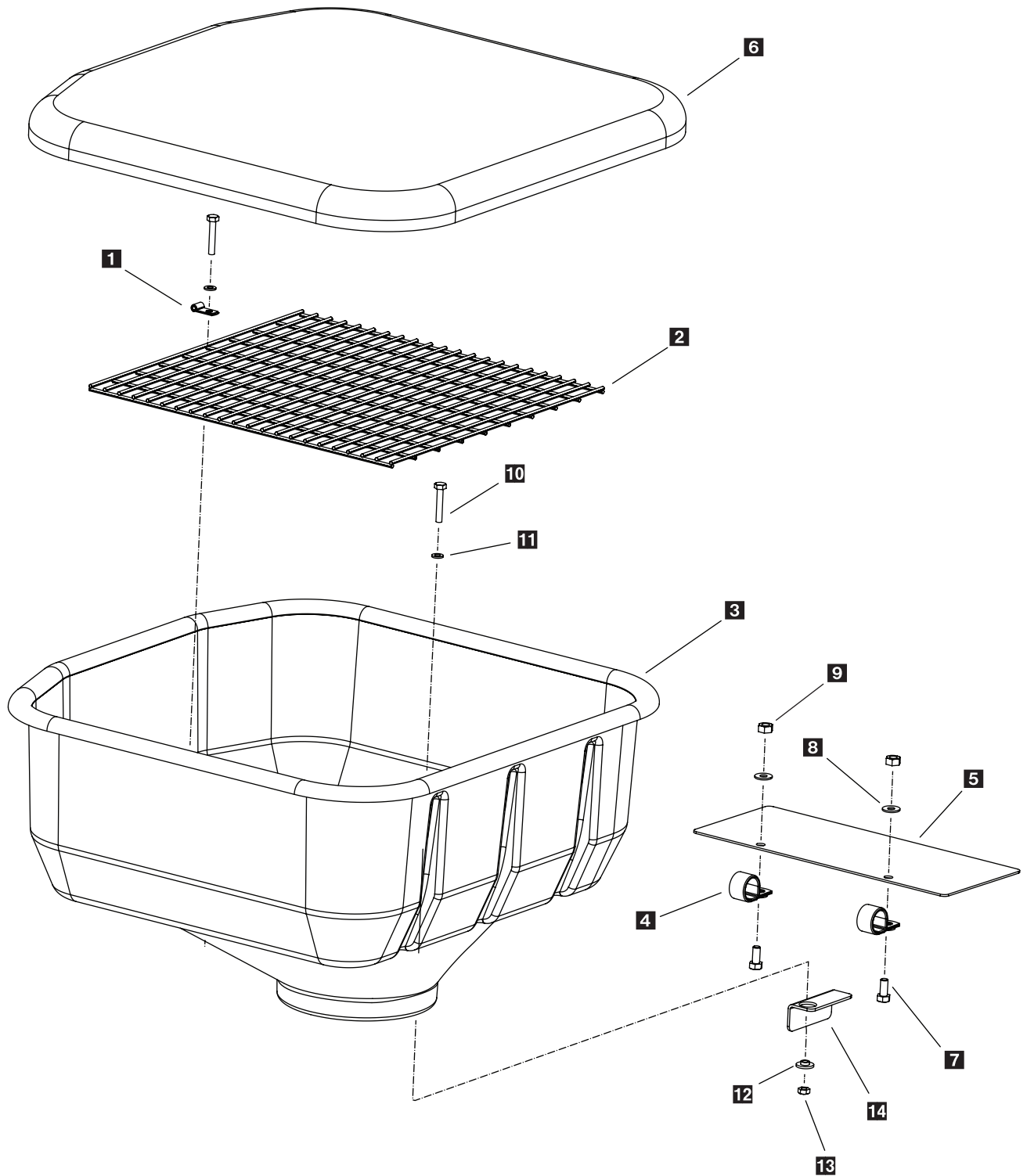
Model #TS85SS



Key	Assy	Description	Qty.
1	1	Hopper Asembly	1
2	2	Lower Axle Assembly	1
3	3	Upper Handle Gate Assembly	1

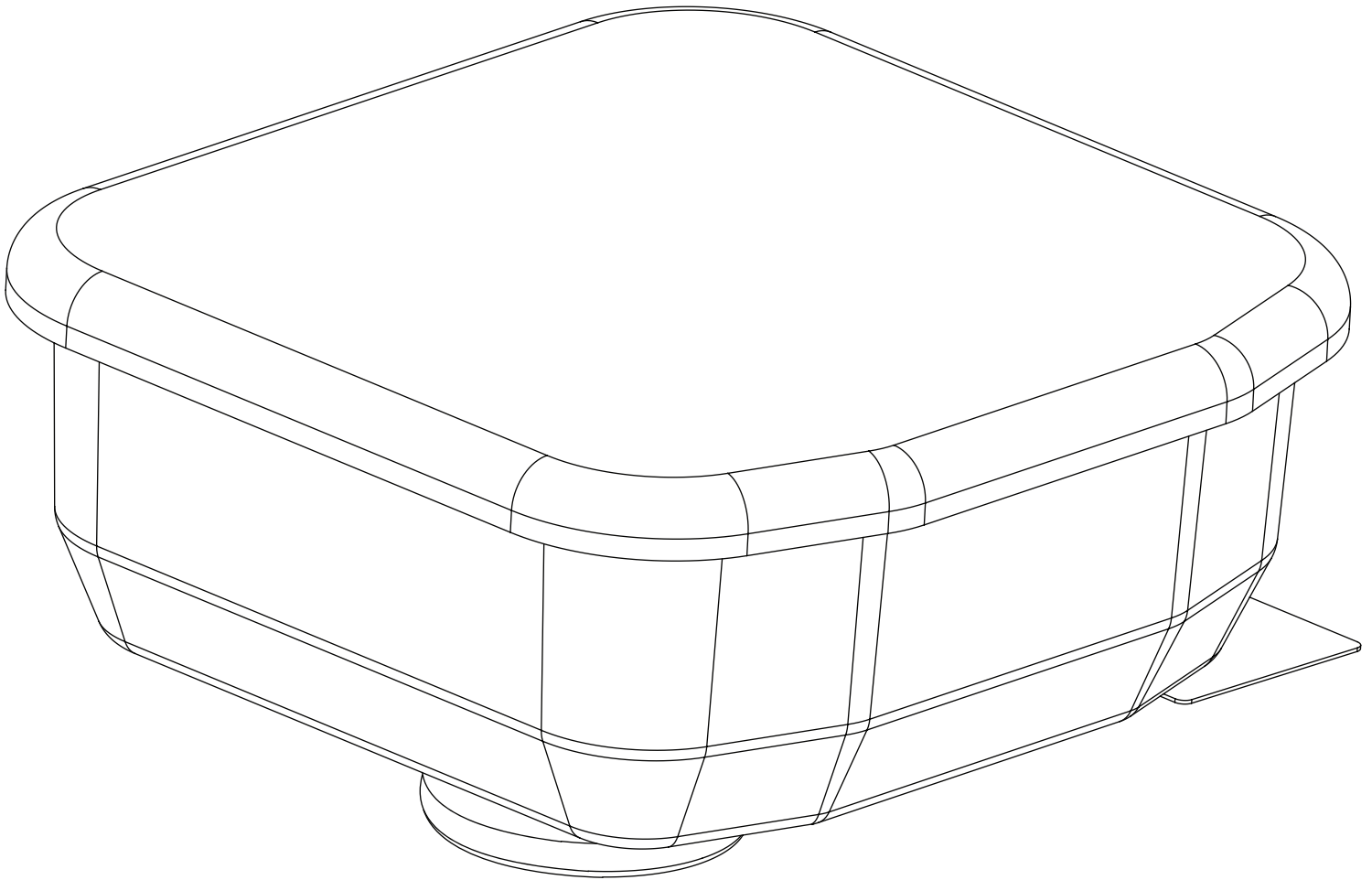
Complete Hopper Assembly Parts Breakdown

Model #TS85SS



Hopper Assembly Parts Breakdown

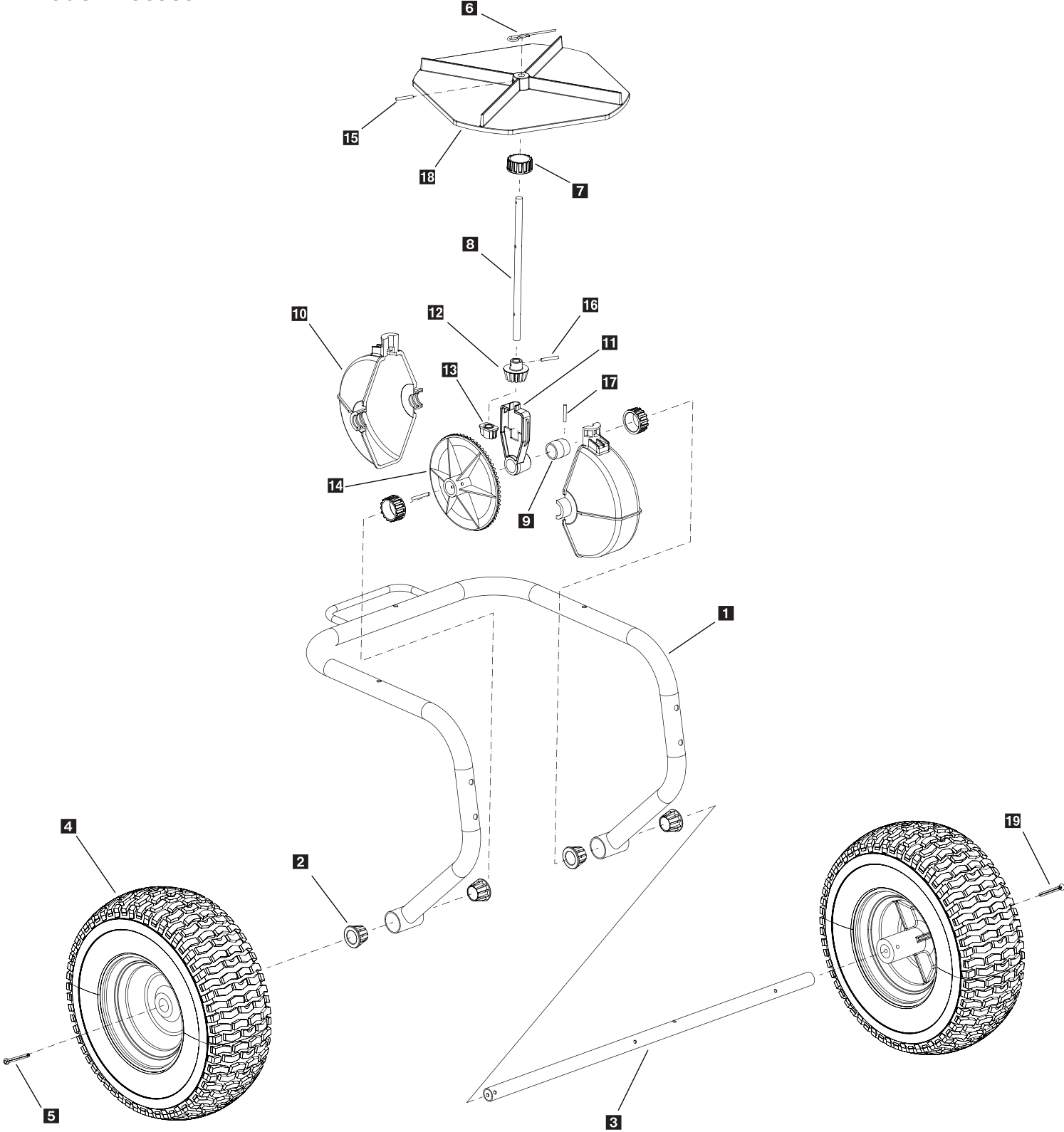
Model #TS85



Key	Part No.	Description	Qty.
1	D 5920	Screen Clip	1
2	D 5903	Screen	1
3	T 30151	Hopper	1
4	D 5940	Deflector Clamps	2
5	D 5932	Side Deflector	1
6	D 6041	Clear Hopper Cover	1
7	T 15049	5/16-18 x 1/2" SS Hex Bolt	2
8	D 5949	5/16 SS Washer	2
9	T 15018	5/16-18 Nylox Nut	2
10	D 5907	1/4-20 x 1-3/8 HHSS	1
11	T 15014	1/4" Flat Washer	1
12	D 5952	1/4" x 1 Fender Washer	1
13	D 5942	1/4-20 Hex Nut	1
14	D 5951	Deflector Support Bracket	1

Complete Axle Assembly Parts Breakdown

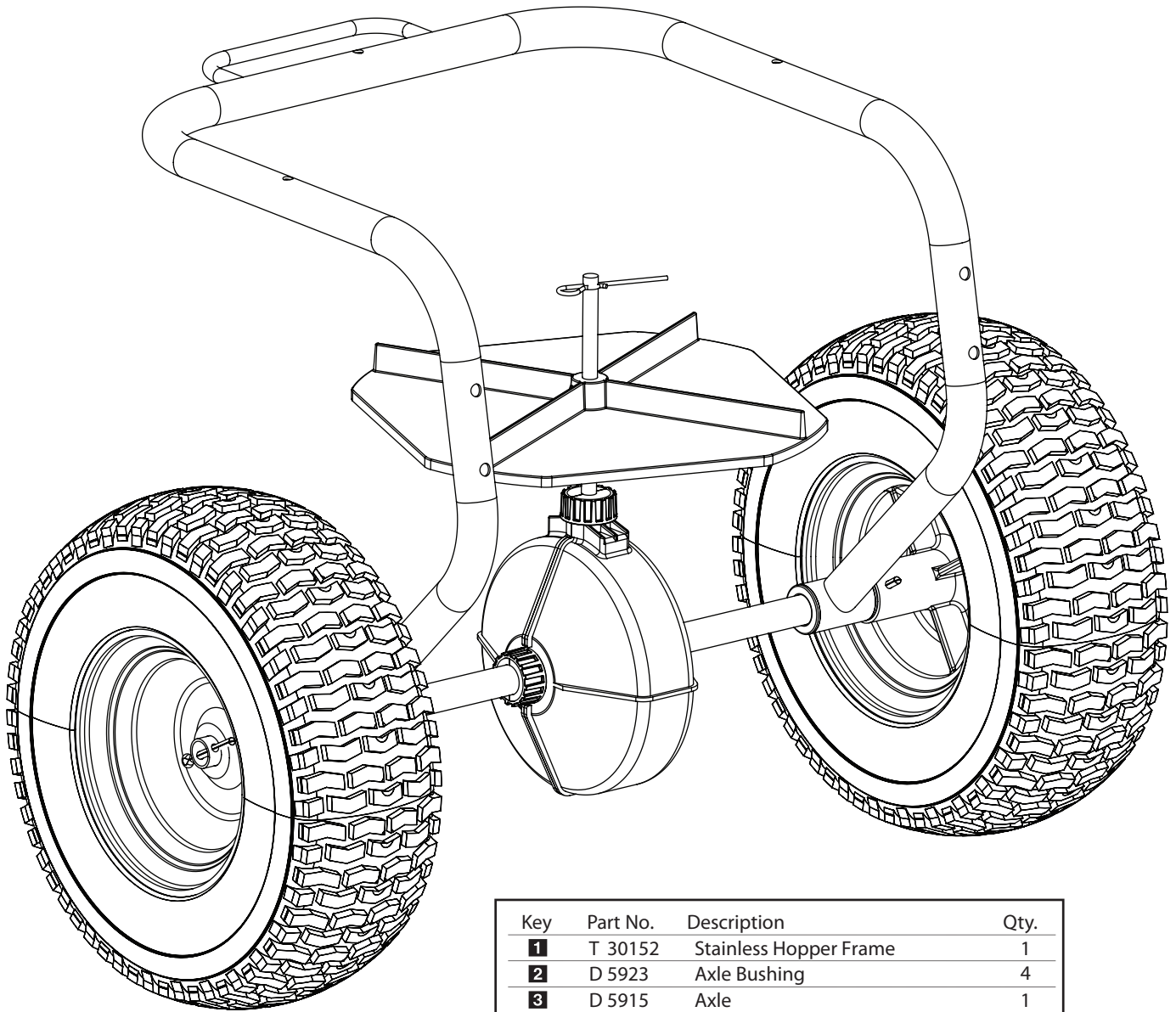
Model #TS85SS



Complete Lower Axle Assembly Parts Breakdown



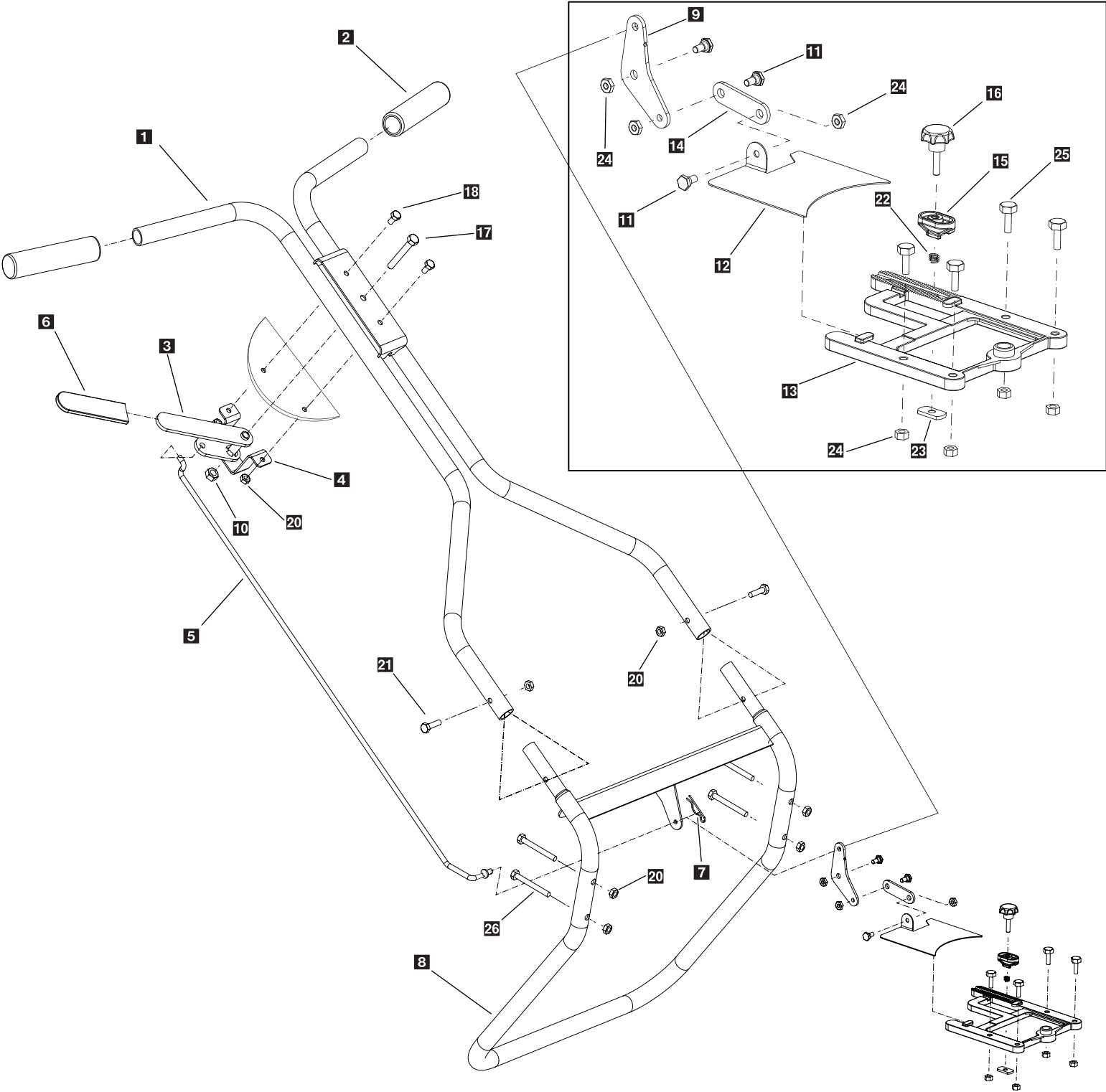
Model #TS85SS



Key	Part No.	Description	Qty.
1	T 30152	Stainless Hopper Frame	1
2	D 5923	Axle Bushing	4
3	D 5915	Axle	1
4	D 5904	Wheel	2
5	D 5947	3/16 x 1-1/2" SS Cotter Pin	2
6	D 5922	Agitator Wire	1
7	D 5930	Lock Ring	3
8	D 5916	Spinner Shaft	1
9	D 5941	Axle Spacer	1
10	D 5911	Gear Cover	2
11	D 5913	Gear Support	1
12	D 5910	Pinion Gear	1
13	D 5926	Shaft Insert	1
14	D 5909	Drive Gear	1
15	D 5939	Spring Pin Spinner	1
16	D 5938	Spring Pin Pinion Gear	1
17	D 5921	Roll Pin Drive Gear	1
18	D 5902	Plastic Spinner	1
19	D 5919	3/16 x 2" Stainless Steel Cotter Pin	1

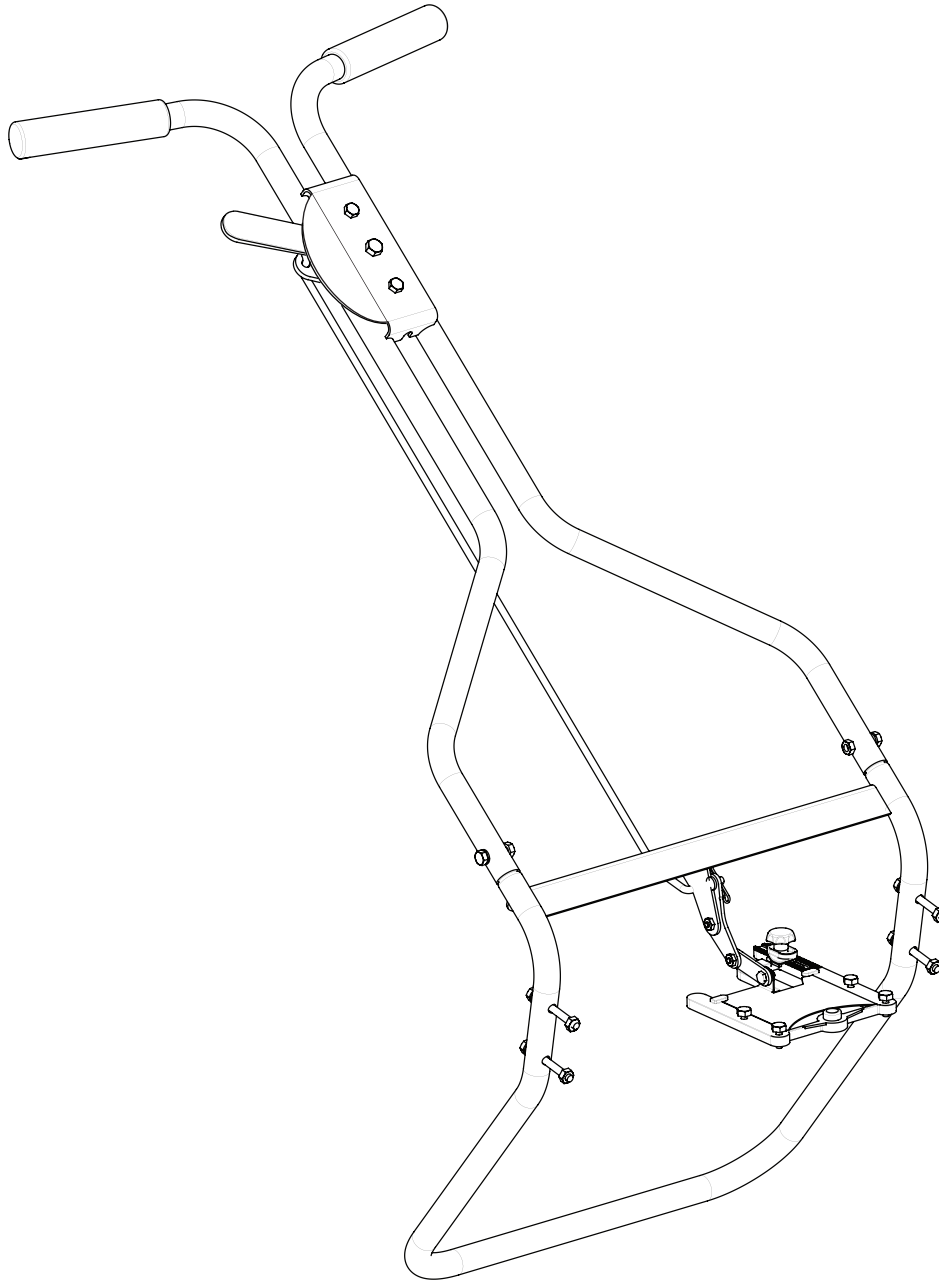
Complete Handle Assembly Parts Breakdown

Model #TS85SS



Complete Upper Handle Assembly Breakdown

Model #TS85SS



Key	Part No.	Description	Qty.	Key	Part No.	Description	Qty.
1	T 30153	Stainless Steel Upper Handle	1	14	D 5960	Stainless Steel Link Arm	1
2	D 5917	Handle Grip	2	15	D 5927	Gate Stop Block	1
3	D 5925	Gate Handle	1	16	D 5935	Locking Knob	1
4	D 5924	Gate Handle Bracket	1	17	D 5946	5/16-18 x 2-1/4 Hex Head Stainless Steel	1
5	T 30154	Stainless Actuator Rod	1	18	D 5944	1/4-20 x 1/2 Hex Head Stainless Steel	2
6	D 5929	Gate Handle Cover	1	20	T15016	1/4-20 Nylox Stainless Steel	8
7	D 5945	Hair Pin Clip/Actuator Rod	1	21	D 5907	1/4-20 x 1-3/8 Hex Head Stainless Steel	2
8	T 30152	Stainless Steel Frame Stand	1	22	D 5936	Adjustment Knob Spring	1
9	D 5959	Stainless Steel Cam	1	23	D 5928	#10 Flat Nut	1
10	T 15018	5/16-18 Nylox Nut	1	24	D 5948	#10-32 Nylox Nut SS	6
11	D 5937	Pivot Bolt	1	25	D 5905	#10-32 x 1/2" Hex Head Stainless Steel	4
12	D 5914	Gate Slide	1	26	D 5943	1/4-20 x 2-1/4 Hex Head Stainless Steel	4
13	D 5912	Gate Track	1				

Spreader Assembly Instructions

Model #TS85SS

Step 1: Assemble upper handle assembly to lower axle support tube (see figure 1).

Step 2: Insert rod into upper control handle as shown (figure 4).

Step 3: Insert rod end into gate linkage and lock in place with hair pin clip as shown (figure 2).

Step 4: Install deflector support bands onto hopper support tube as shown (figure 3). Continue by installing deflector to support band on right side as shown (figure 3).

Step 5: Attach clear protective cover on hopper.

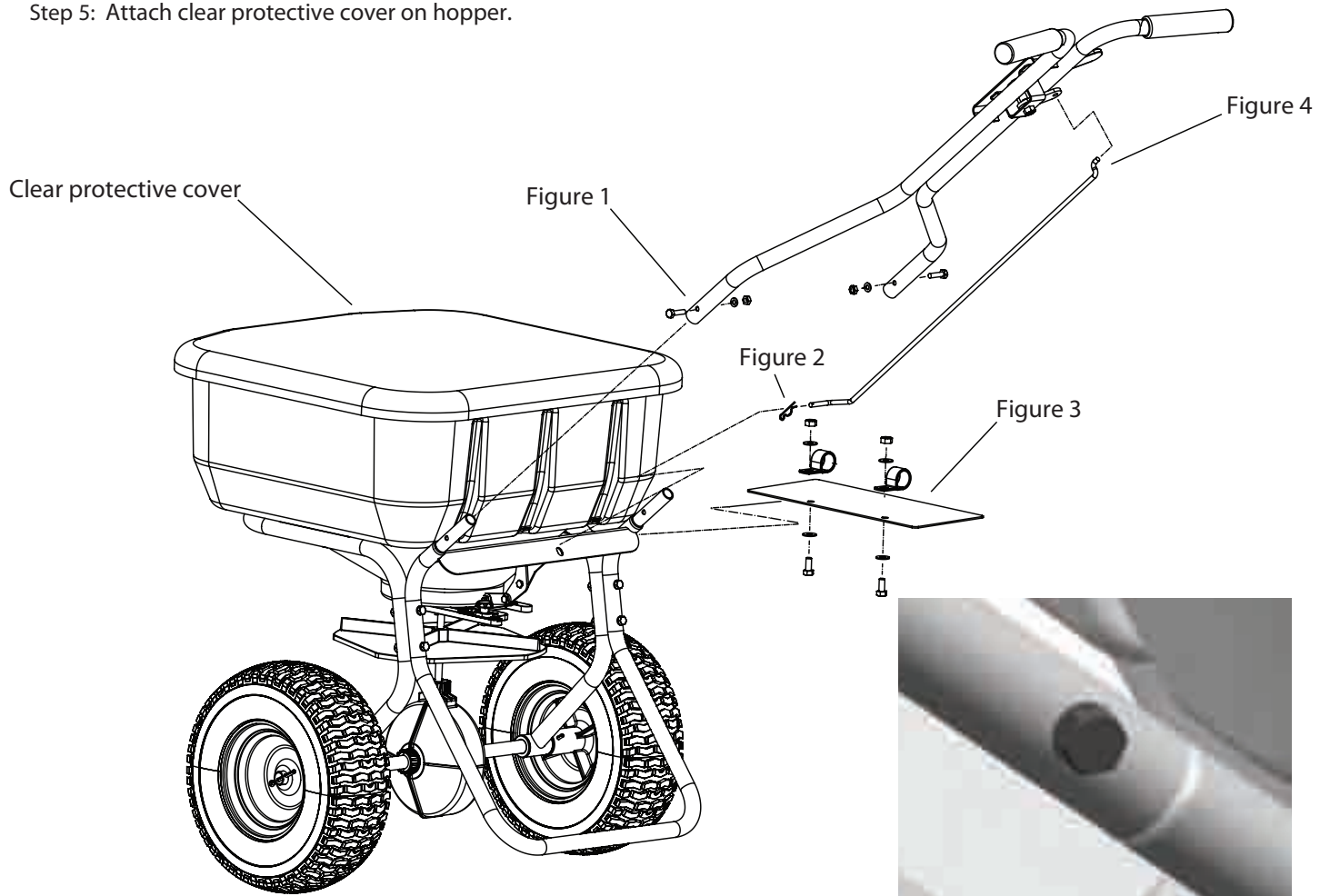


Figure 1



Figure 2



Figure 3



Figure 4

Operating Instructions

Model #TS85SS

SPREADER LOADING

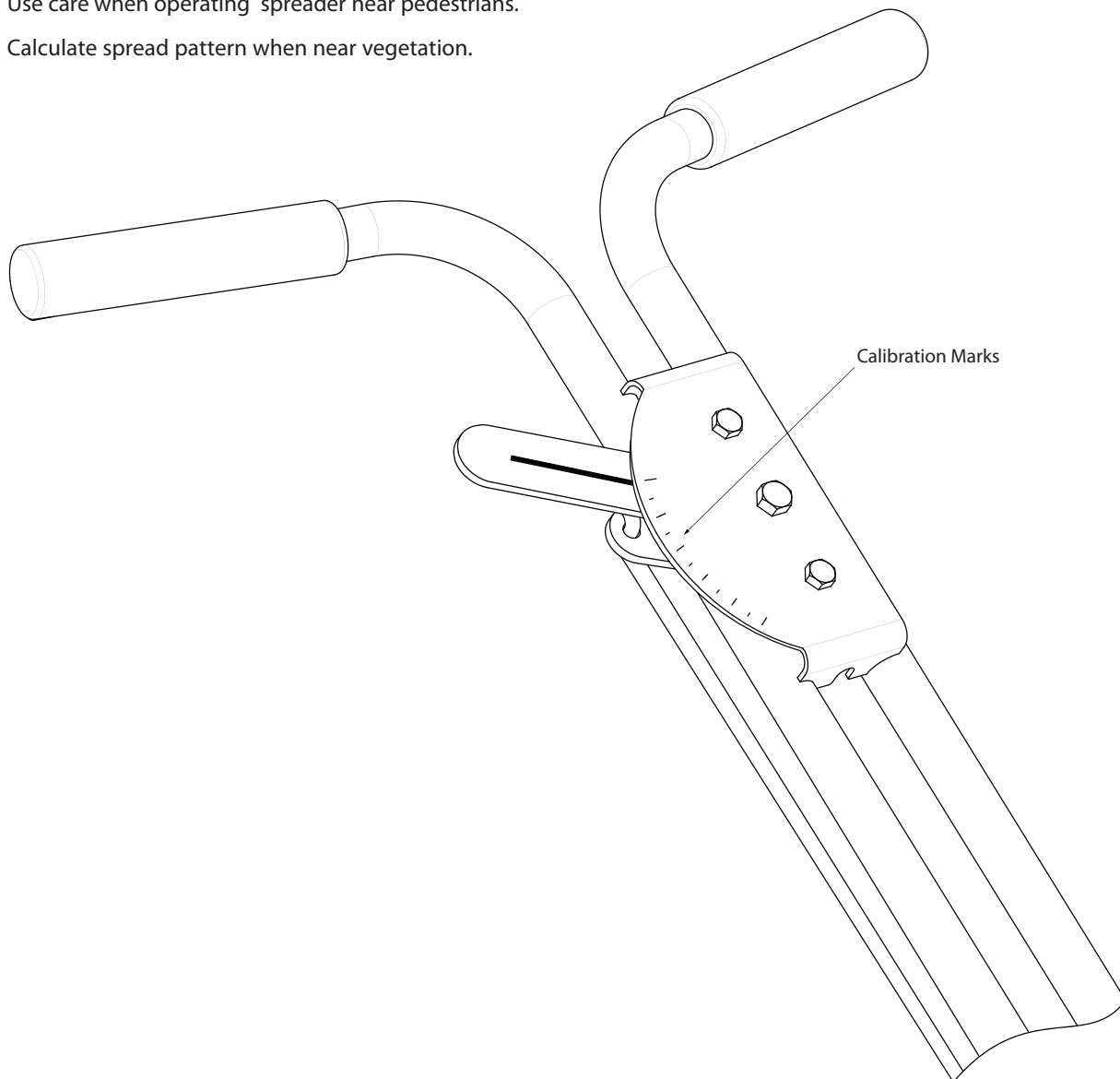
WARNING – Do not overload spreader. Weights of material are an average for dry materials.

<u>Material</u>	<u>Weight Per Cubic Ft.</u>
Fertilizer	See product information on bag or bulk materials that you are using

- Warning– Never remove spreader from vehicle with material in it as this could cause damage to the frame assembly.
- Warning– Never leave materials in hopper for long periods of time, fertilizers are hygroscopic and will attract atmospheric moisture and harden up.

SPREADING TIPS

- For a wider pass, increase walking pace.
- For a heavier pass, walk slower.
- Use care when operating spreader near pedestrians.
- Calculate spread pattern when near vegetation.



Calibration Information

Model #SP85SS



Pounds Dropped In 100 feet

Setting #	Pounds Dropped	Distance
1	0	10'
2	0	10'
3	.25	100'
4	.60	100'
5	1.15	100'
6	2.02	100'
7	3.0	100'
8	4.0	100'
9	5.14	100'
10	6.0	100'
11	6.2	100'
12	8.0	100'
13	9.0	100'
14	10.25	100'
15	11.0	100'
16	12.0	100'
17	12.5	100'
18	12.8	100'
19	14.5	100'
20	14.5	100'

Limited Warranty

Two year warranty on Turfex brand products against defects in material or workmanship under normal use and service, subject to limitations detailed below. Warranty period of two years begins on the date of purchase by the original retail user.

The WARRANTY REGISTRATION CARD must be returned to the manufacturer for this warranty to become effective. This warranty applies to the original retail purchaser only. This warranty does not cover damages caused by improper installation, misuse, lack of proper maintenance, alterations or repairs made by anyone other than authorized Trynex dealers or Trynex personnel. Due to the corrosive properties of the materials dispensed by spreaders, Trynex does not warrant against damage caused by corrosion. Warranty claims by the user must be made to the dealer from where the product was purchased, unless otherwise authorized by Trynex. Trynex reserves the right to determine if any part is defective and to repair or replace such parts as it elects. This warranty does not cover shipping costs of defective parts to or from the dealer.

LIMITATION OF LIABILITY

Neither Trynex, nor any company affiliated with it, makes any warranties, representations for promise as to the performance or quality other than what is herein contained. The liability of Trynex to the purchaser for damages arising out of the manufacture, sale, delivery, use or resale of this spreader shall be limited to and shall not exceed the costs of repair or replacement of defective parts. Trynex shall not be liable for loss of use, inconvenience or any other incidental, indirect or consequential damages, so the above limitations on incidental or consequential damages may not apply to you.

NO DEALER HAS AUTHORITY TO MAKE ANY REPRESENTATION OR PROMISE ON BEHALF OF TRYNEX INTERNATIONAL, OR TO ALTER OR MODIFY THE TERMS OR LIMITATIONS OF THIS WARRANTY IN ANY WAY.

From:



Postage
Required
Post Office will
not deliver
without proper
postage.



23455 REGENCY PARK DR.
WARREN MI 48089-2667

