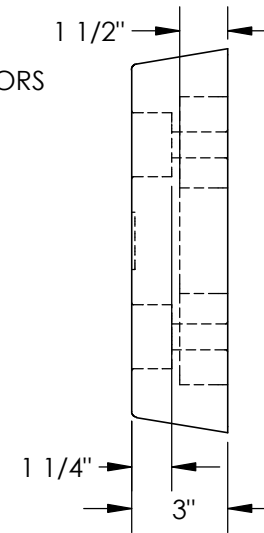
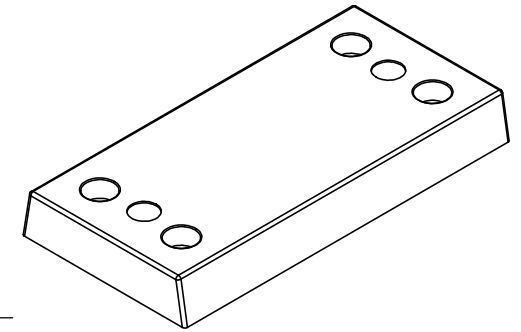
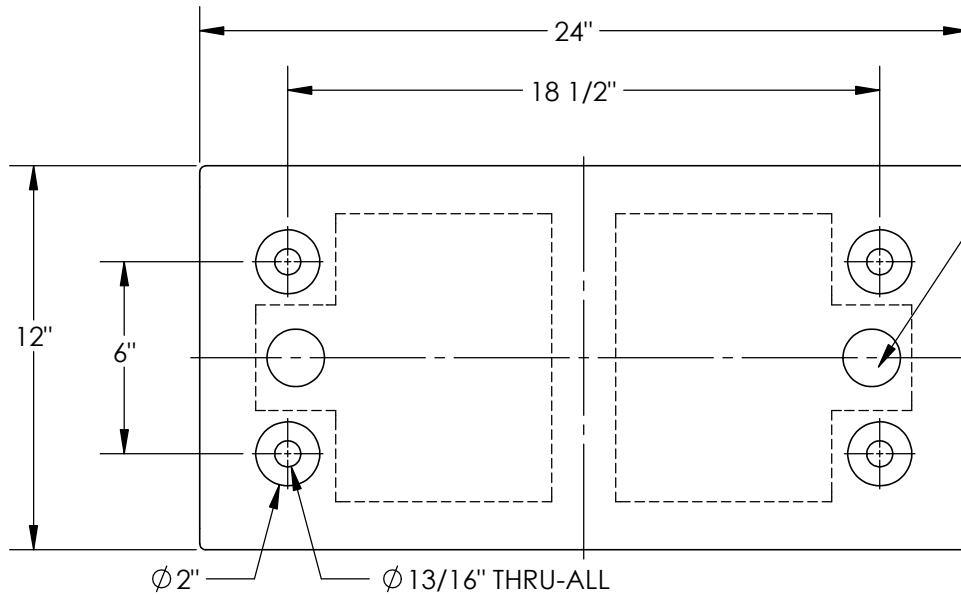


SPECIALTY MOLDED DOCK BUMPER - B-1224-3

APPROX WEIGHT: 25.15 lbs.
 DOES NOT INCLUDE WEIGHT OF POWER OR PACKAGING!!!

*** ANY ADDITIONS, DELETIONS, OR OMISSIONS MUST BE CORRECTED ON THIS DRAWING AS THIS DRAWING WILL BE CONSIDERED ALL INCLUSIVE ***

ALL GRAPHICS PROVIDED ARE FOR REFERENCE ONLY. IF CERTAIN DIMENSIONS ARE CRITICAL PLEASE VERIFY THOSE DIMENSIONS WITH YOUR SALESPERSON



DIMENSION TOLERANCE $\pm 1/2$ "

STANDARD FEATURES

MODEL NUMBER IS: B-1224-3
 OVERALL WIDTH IS: 12"
 OVERALL LENGTH IS: 24"
 PROJECTION IS: 3"
 COUNTER SUNK HOLES FOR
 3/4" DIA. ANCHOR BOLTS
 RESISTANT TO: ABRASION, FRICTION,
 IMPACT DAMAGE, WEAR, CORROSION
 AND WEATHER DAMAGE
 FOR INDOOR OR OUTDOOR USE

SPECIAL FEATURES

NONE

| | | |
|---|--|--|
| APPROVAL | I, THE UNDERSIGNED, AGREE THAT THE PRODUCT AS REPRESENTED SATISFIES DESIGN AND DIMENSION REQUIREMENTS. I ALSO ACKNOWLEDGE MY DUTY TO CONFIRM PRODUCT AND INSTALLATION COMPLIANCE WITH ALL APPLICABLE FEDERAL, STATE AND LOCAL REGULATIONS AND STANDARDS. | |
| | ANY MODIFIED UNITS ARE NON-RETURNABLE | |
| | [] As drawn [] As marked | |
| | Signed: _____ Date: _____ | |
| Printed Name: _____ | | |
| LEAD TIME WILL START UPON RECEIPT OF SIGNED APPROVAL DRAWING | | |

| | |
|---|--|
| FOR INTERNAL USE ONLY PROJECT SIGN OFF | |
| SALES | |
| ENG. | |
| FAB. | |
| POWER | |

| | | |
|----------------------|----------------|------------|
| DISTRIBUTOR'S NAME: | | P.O.# |
| VESTIL MANUFACTURING | | X |
| DRAWN BY: RPS | DATE: 09/07/12 | W.O.# |
| REFERENCE: X | SCALE: 1:6 | X |
| QUOTED LEAD TIME: X | QUOTE # | FILE NAME: |
| | X | 29-007-206 |