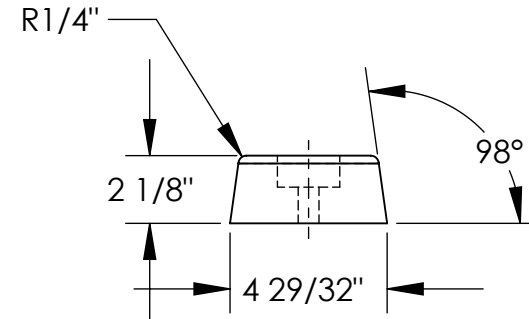
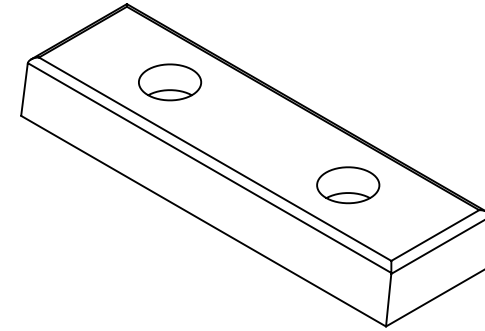
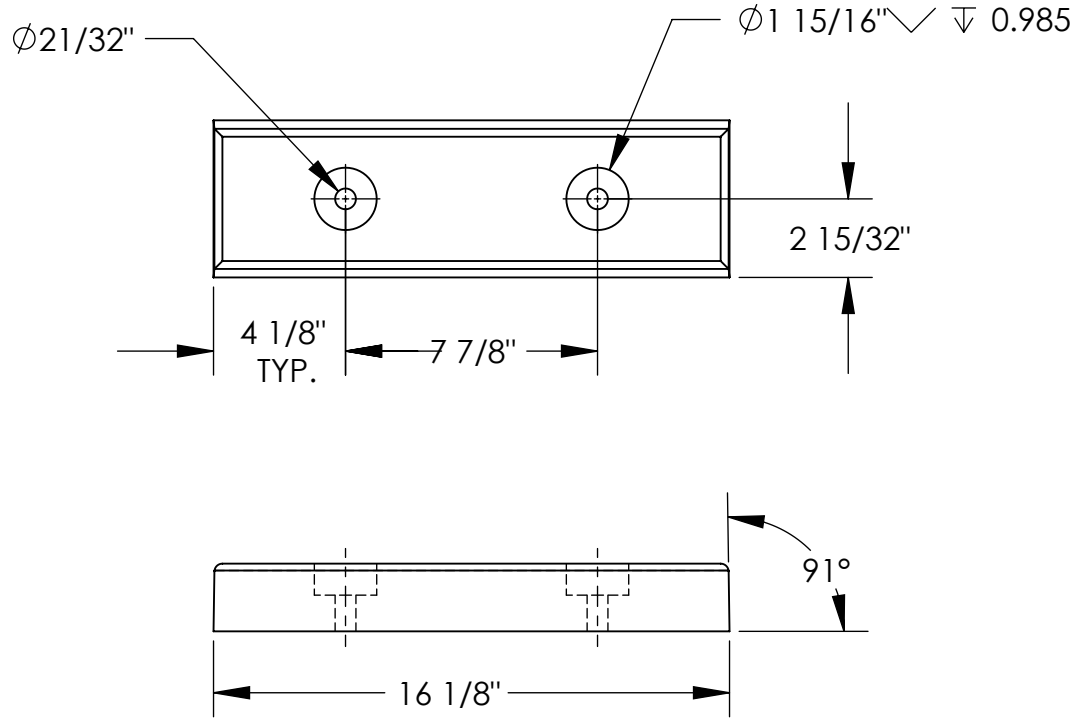


BUMPER - B-516

APPROXIMATE WEIGHT IS: 7 lbs.

*** ANY ADDITIONS, DELETIONS, OR OMISSIONS MUST BE CORRECTED ON THIS DRAWING AS THIS DRAWING WILL BE CONSIDERED ALL INCLUSIVE ***

ALL GRAPHICS PROVIDED ARE FOR REFERENCE ONLY. IF CERTAIN DIMENSIONS ARE CRITICAL PLEASE VERIFY THOSE DIMENSIONS WITH YOUR SALESPERSON



QUOTED LEAD TIME IS ____ WKS.

ALL SPECIAL UNITS
ARE NON-RETURNABLE

A P P R O V A L	I, the undersigned, hereby approve this print. This includes my approval of design & dimensions	
	<input type="checkbox"/> As drawn	<input type="checkbox"/> As marked
	Signed: _____ Date: _____	
	LEAD TIME WILL START UPON RECEIPT OF SIGNED APPROVAL DRAWING	

STANDARD FEATURES

MODEL NUMBER IS B-516
OVERALL WIDTH IS $4 29/32"$
OVERALL LENGTH IS $16 1/8"$
OVERALL HEIGHT IS $2 1/8"$
PRODUCT MADE OF RUBBER

SPECIAL FEATURES

NONE

DISTRIBUTOR'S NAME: VESTIL MANUFACTURING		P.O.# X
DRAWN BY: D. COCHRAN		W.O.# X
DATE: 08/13/08	SCALE: 1:6	SALES: X
REFERENCE: X	QUOTE # X	FILE NAME: 29-007-103