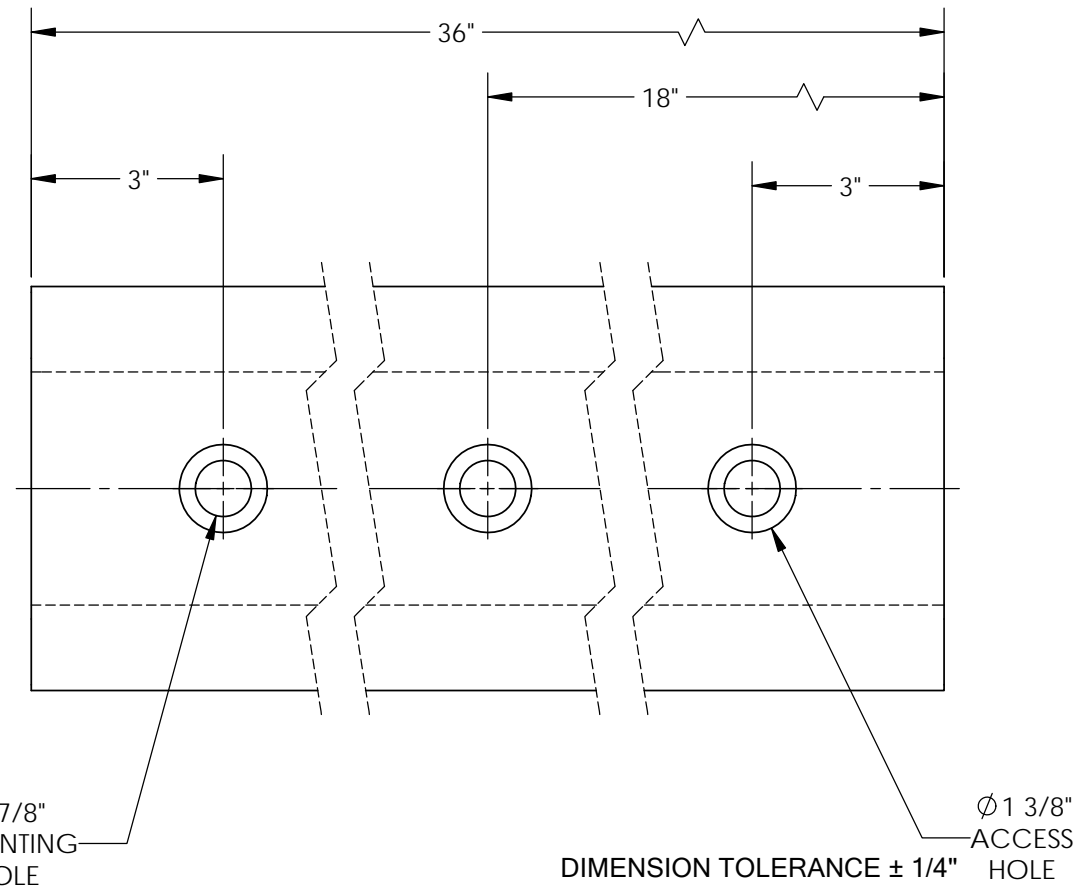
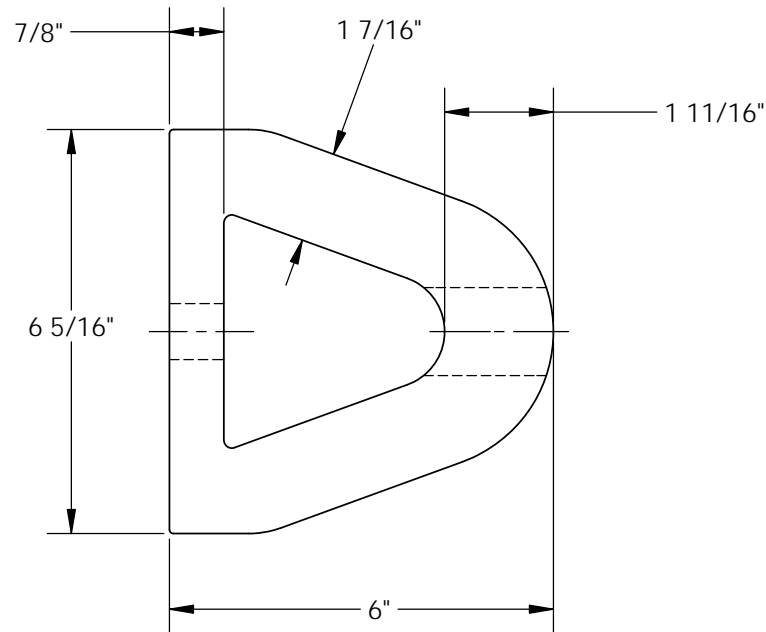


# EXTRUDED RUBBER BUMPER - M-6-36

APPROX WEIGHT: 27.24 lbs.  
 DOES NOT INCLUDE WEIGHT OF POWER OR PACKAGING!!!

\*\*\* ANY ADDITIONS, DELETIONS, OR OMISSIONS MUST BE CORRECTED ON THIS DRAWING AS THIS DRAWING WILL BE CONSIDERED ALL INCLUSIVE \*\*\*

ALL GRAPHICS PROVIDED ARE FOR REFERENCE ONLY. IF CERTAIN DIMENSIONS ARE CRITICAL PLEASE VERIFY THOSE DIMENSIONS WITH YOUR SALESPERSON



## STANDARD FEATURES

- MODEL NUMBER IS M-6-36
- OVERALL WIDTH IS 6 5/16"
- OVERALL LENGTH IS 36"
- OVERALL HEIGHT IS 6"
- NUMBER OF MOUNTING HOLES 3
- MOUNTING HOLE SIZE  $\phi 7/8"$
- ACCESS HOLE SIZE  $\phi 1 3/8"$
- WEIGHT 31 LBS.
- (3)-REINFORCEMENT PLATES INCLUDED
- SIZE: 1 5/8" x 6"

## SPECIAL FEATURES

NONE

**APPROVAL**

I, THE UNDERSIGNED, AGREE THAT THE PRODUCT AS REPRESENTED SATISFIES DESIGN AND DIMENSION REQUIREMENTS. I ALSO ACKNOWLEDGE MY DUTY TO CONFIRM PRODUCT AND INSTALLATION COMPLIANCE WITH ALL APPLICABLE FEDERAL, STATE AND LOCAL REGULATIONS AND STANDARDS.

**ALL SPECIAL UNITS ARE NON-RETURNABLE**

[ ] As drawn [ ] As marked

Signed: \_\_\_\_\_ Date: \_\_\_\_\_

**LEAD TIME WILL START UPON RECEIPT OF SIGNED APPROVAL DRAWING**

FOR INTERNAL USE ONLY PROJECT SIGN OFF	
SALES	
ENG.	
FAB.	
POWER	

DISTRIBUTOR'S NAME:		P.O.#
VESTIL MANUFACTURING		X
W.O.#		X
DRAWN BY: RPS	DATE: 08/28/2012	SALES: X
REFERENCE: X	SCALE: 1:3	FILE NAME:
QUOTED LEAD TIME: X	QUOTE # X	29-007-073