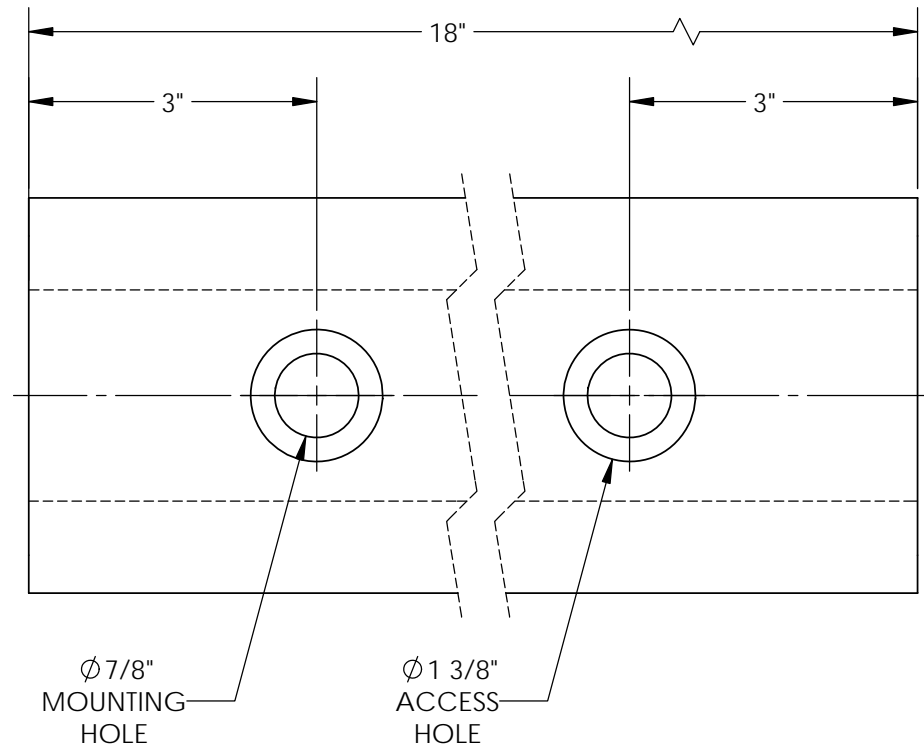
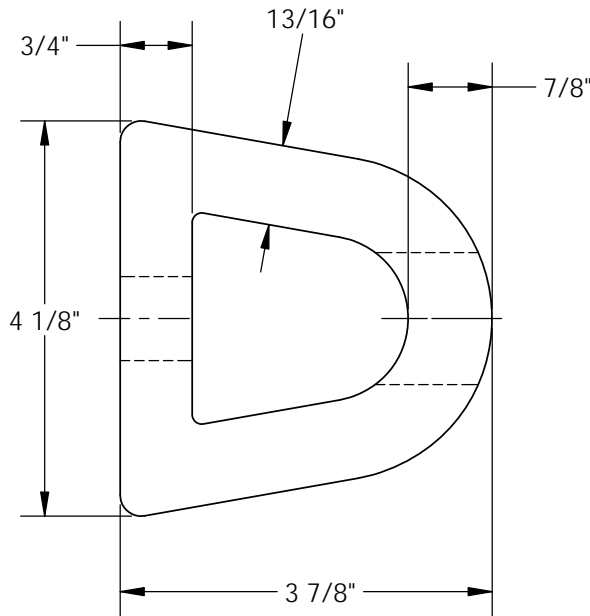


# EXTRUDED RUBBER BUMPER - M-4-18

APPROX WEIGHT: 5.63 lbs.  
 DOES NOT INCLUDE WEIGHT OF POWER OR PACKAGING!!!

\*\*\* ANY ADDITIONS, DELETIONS, OR OMISSIONS MUST BE CORRECTED ON THIS DRAWING AS THIS DRAWING WILL BE CONSIDERED ALL INCLUSIVE \*\*\*

ALL GRAPHICS PROVIDED ARE FOR REFERENCE ONLY. IF CERTAIN DIMENSIONS ARE CRITICAL PLEASE VERIFY THOSE DIMENSIONS WITH YOUR SALESPERSON



DIMENSION TOLERANCE  $\pm 1/4$ "

## STANDARD FEATURES

MODEL NUMBER IS M-4-18  
 OVERALL WIDTH IS 4 1/8"  
 OVERALL LENGTH IS 18"  
 OVERALL HEIGHT IS 3 7/8"  
 NUMBER OF MOUNTING HOLES 2  
 MOUNTING HOLE SIZE  $\phi 7/8$ "  
 ACCESS HOLE  $\phi 1 3/8$ "  
 WEIGHT 8 LBS.  
 (2)-REINFORCEMENT PLATES INCLUDED  
 SIZE: 1 5/8" x 6"

## SPECIAL FEATURES

NONE

**APPROVAL**

I, THE UNDERSIGNED, AGREE THAT THE PRODUCT AS REPRESENTED SATISFIES DESIGN AND DIMENSION REQUIREMENTS. I ALSO ACKNOWLEDGE MY DUTY TO CONFIRM PRODUCT AND INSTALLATION COMPLIANCE WITH ALL APPLICABLE FEDERAL, STATE AND LOCAL REGULATIONS AND STANDARDS.  
**ALL SPECIAL UNITS ARE NON-RETURNABLE**  
 As drawn       As marked

Signed: \_\_\_\_\_ Date: \_\_\_\_\_

**LEAD TIME WILL START UPON RECEIPT OF SIGNED APPROVAL DRAWING**

FOR INTERNAL USE ONLY PROJECT SIGN OFF	
SALES	
ENG.	
FAB.	
POWER	

DISTRIBUTOR'S NAME:		P.O.#
VESTIL MANUFACTURING		X
DRAWN BY: RPS	DATE: 08/28/2012	W.O.#
REFERENCE: X	SCALE: 1:2	X
QUOTED LEAD TIME: X	QUOTE #	FILE NAME:
	X	29-007-075