



**VAN STORAGE SOLUTIONS**

FOR THE WAY YOU WORK™

# INSTALLATION MANUAL

**BULKHEAD for RAMCV**  
Model Number 96115-3-01

[WWW.WEATHERGUARD.COM](http://WWW.WEATHERGUARD.COM)

**ATTENTION: PLEASE READ AND UNDERSTAND ALL INSTRUCTIONS AND WARNINGS BEFORE ASSEMBLING, INSTALLING OR USING THIS PRODUCT.**

## **PLAN YOUR VAN (TIPS FOR FASTER INSTALLATION)**

- Installing your WEATHER GUARD® Bulkhead for the RAM CV bulkhead is very clear cut following these instructions.
- Before cutting or drilling in the floor, verify the location of you gas tank, fuel lines and electrical cables so you don't accidentally cut something important.
- Mount the upper corners of the bulkhead as close to the van inside walls as possible for a sturdy and quiet installation.
- You can use the bulkhead with earlier model years of the Grand Caravan mini-van, but you'll need to trim the top corners of the mesh panel to fit. Make sure not to obstruct airbag deployment, if the van is equipped with them.

### **BOLT KIT**

1/4-20 Blind Fasteners	4
1/4-20 x 3/4" Bolts	13
1/4-20 Nylon Lock Nuts	13
1/4-20 x 1-1/4" Hex Head Bolts	4
1/4" Flat Washers	16
1/4" Lock Washers	4
5/16-18 x 1-1/4" Bolts	4
5/16-18 Nylon Lock Nuts	4
5/16 Flat Washers	8
1/4-14 x 3/4" Self-Drilling Screw	2
Roof Mounting Angles	2
Mounting Plates	2
Blind Fastener Installation Tool	1
1/4-20 x 2-1/4" Hex Head Black Bolt	1

### **INSTALLATION TIME**

Approximate installation time: 45 minutes per unit depending on van equipment installation experience.

### **TOOLS REQUIRED**

- Center Punch
- Electric Drill
- Hammer
- Utility Knife
- Pencil or Marker
- 1/8", 3/8" Drill Bits
- 3/8" Ratchet Driver
- 7/16" Wrench and/or socket (2)
- 1/2" Wrench and/or socket (2)
- 9/16" Open End Wrench



## INSTALLATION INSTRUCTIONS

**NOTE: BULKHEAD BASE will lean up to 10° toward rear of van.**

**STEP 1:** Attach top panel to base panel using 1/4-20 x 3/4" bolts, 1/4-20 lock nuts, and 1/4 flat washers. Tighten to 18 in-lbs.

**STEP 2:** Place base on floor of van. Bottom flange will face the cargo area. Center the base side to side on floor. Mark holes and remove base. Drill 3/8" holes through floor and install four blind fasteners. See Blind Fastener Installation instructions on page 3.

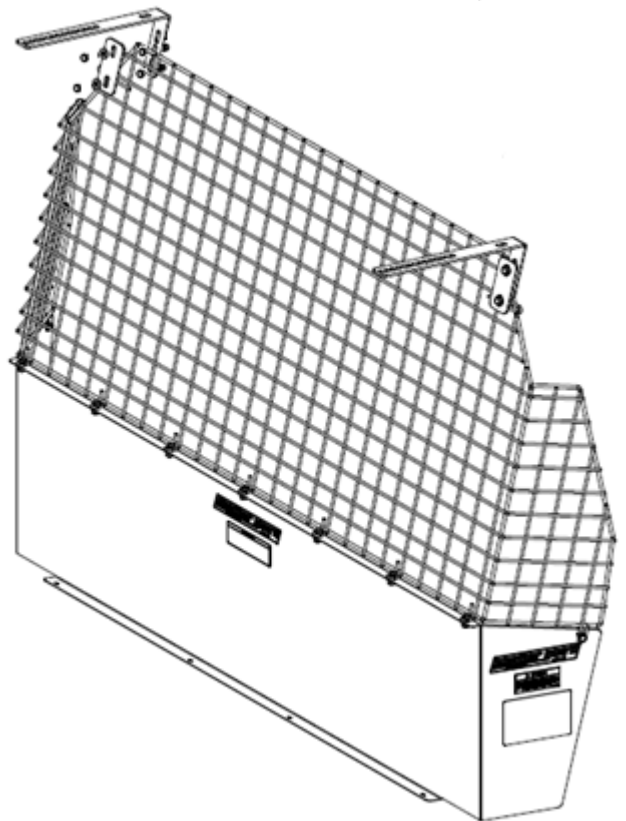
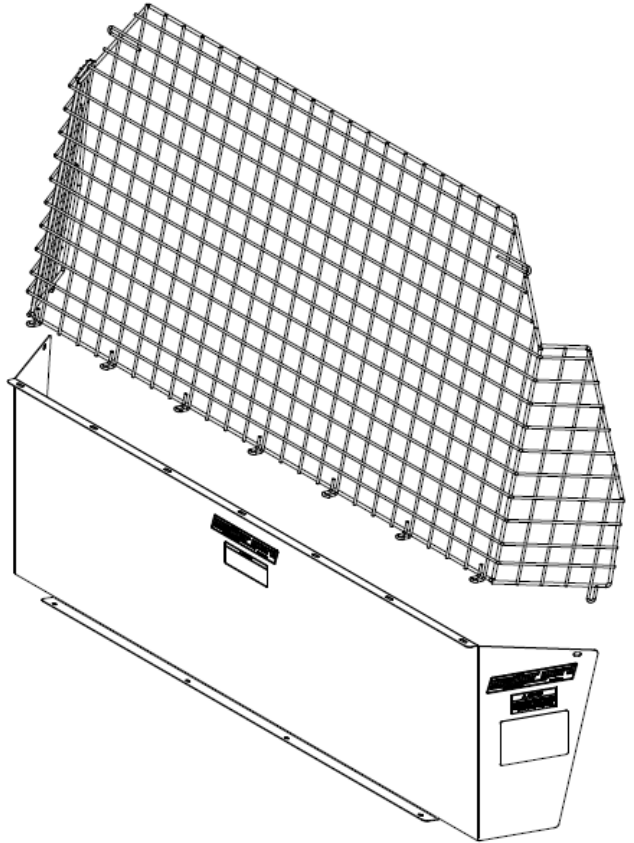
**STEP 3:** Loosen weather strip above the side door and move the headliner down to determine the location of the roof crossmember.

**STEP 4:** Attach the roof mounting brackets to the top corners of the mesh panel. Locate the brackets one to four squares in from the corners of the mesh panel. Use the 5/16-18 mounting hardware and the mounting brackets to attach the Roof Mounting Angles to the mesh panel with the bolts facing towards the cargo area. Do not tighten.

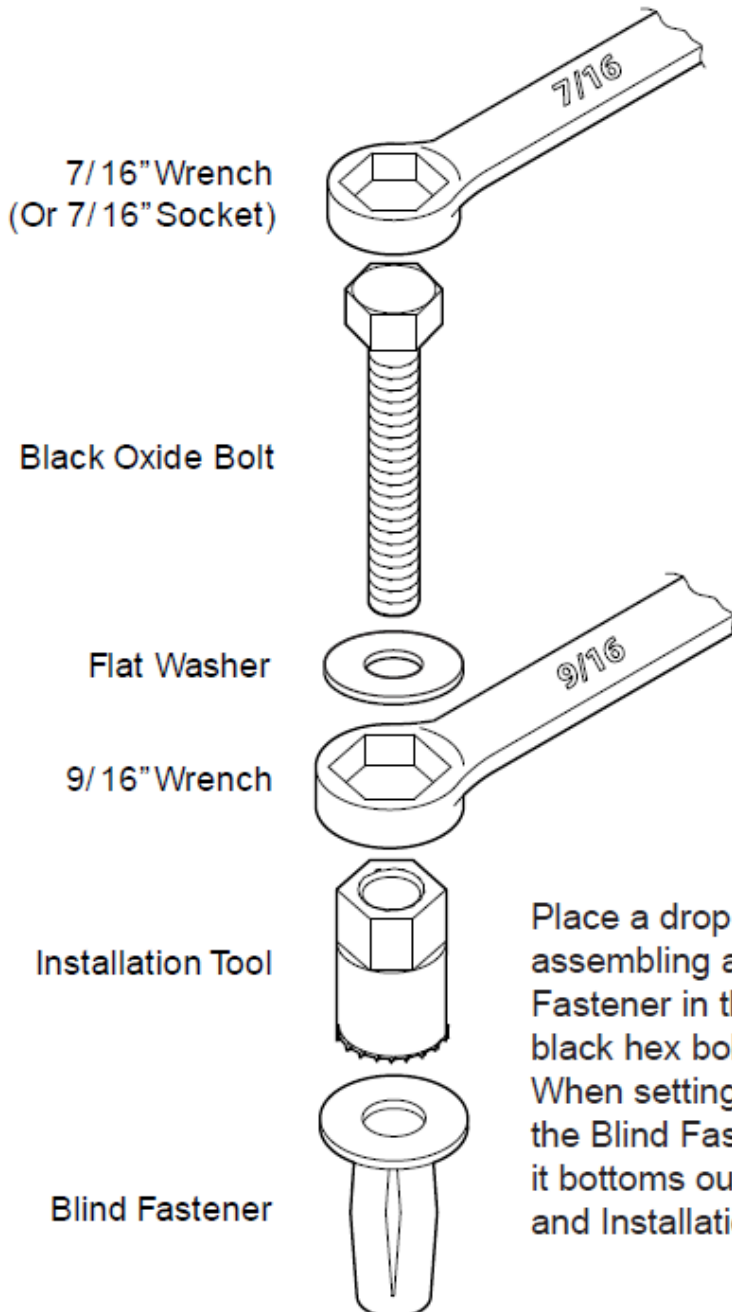
**STEP 5:** Place the base back in position and fasten it to the floor, using 1/4-20 x 1-1/4" bolts, flat and lock washers and nuts. Fasten the floor angle to the base with 1/4-20 x 3/4" bolts, lock and flat washers, to the blind fasteners in the van floor.

**STEP 6:** Attach the roof mounting brackets to the roof crossmember with the 1/4-14 self drilling screws. Reattach the weather strip by the side doors and tighten all fasteners.

Installation is now complete.



# INSTALLATION INSTRUCTIONS FOR BLIND FASTENERS



Place a drop of oil on the black oxide bolt before assembling as shown on right. Place the Blind Fastener in the hole and use a 7/16" wrench to tighten black hex bolt until the Blind Fastener is fully seated. When setting black hex bolt, it will start out hard. As the Blind Fastener "bulbs" out it will get easier, until it bottoms out or sets. Make sure the Blind Fastener and Installation Tool do not turn during installation.

## DANGER

Danger of explosion. Do not use this product for storing or transporting flammables, explosives, hazardous materials, or hazardous waste, such as containers of gasoline, solvents, gun powder, dynamite, propane tanks, acetylene tanks and cutting torches. Failure to heed this warning will result in death or serious injury.

## WARNING

This product is only intended and safe for use in storing and transporting small tools, equipment and other similar materials. These instructions are to be followed using the parts and fasteners supplied for proper installation. Any modifications or improper installation of this product will create a hazardous condition that could result in death, serious personal injury and/or property damage.

All floor mounting bolts near the fuel tank area should be installed from the underside of the vehicle, to guard against the fuel tank being punctured in the event of a collision. This would mean not using Blind Fasteners in this area. Holes in this area should be 5/16". Ensure ample space in roof ribs and sidewall ribs for mounting screws so as not to puncture exterior roof or wall.

Do not install this product where it could interfere with deployment of air bags. Failure to comply could result in death or serious body injury.



Prior to drilling, so as not to cut electric wires, fuel lines, brake lines, etc., check behind and underneath drilling and mounting locations. Failure to heed this warning will result in death or serious injury.

## – NOTICE –

Any modification or unintended use of this product shall immediately void all manufacturers warranties. Manufacturer disclaims all liability for injuries to persons or property resulting from any modification to, or unintended use of this product.

# KNAACK LLC LIMITED LIFETIME WARRANTY FOR WEATHER GUARD® PRODUCTS

WEATHER GUARD® Products — Limited Lifetime Warranty  
(Purchased on or after 1/1/2009)

Knaack LLC (the "Manufacturer") warrants to the original purchaser only that WEATHER GUARD® Truck and Van Products (the "WEATHER GUARD® Product") will be free from defects in material and workmanship from the date of purchase and continuing for the expected lifetime of the WEATHER GUARD® Product. A copy of the original sales receipt must be supplied to the Manufacturer at the time a warranty claim is made. This warranty terminates if the original purchaser transfers the WEATHER GUARD® Product to any other person.

### What is Covered

All WEATHER GUARD® Products identified above that are purchased on or after January 1, 2009.

### What We Will Do to Correct Problems

Subject to the limitations and exclusions described in this limited warranty, the Manufacturer will remedy defects in materials or workmanship by providing one of the following remedies at its option and without charge to the original purchaser for parts or labor: (a) repairing the defective portion of the WEATHER GUARD® Product or (b) replacing the entire WEATHER GUARD® Product. In addition, the manufacturer may elect at its option, not to repair or replace the WEATHER GUARD® Product, but rather issue to the original purchaser a refund equal to the purchase price paid for the WEATHER GUARD® Product or a credit to be used toward the purchase of new WEATHER GUARD® Product.

### What is Not Covered

This limited warranty expressly excludes:

- Defects caused by normal wear and tear, cosmetic rust, scratches, accidents, unlawful vehicle operation, or modification to the product, or any types or repair of a WEATHER GUARD® Product other than those authorized or provided by the Manufacturer.
- Defects resulting from conditions beyond the Manufacturer's control including, but not limited to misuse, overloading, or failure to assemble, mount or use the WEATHER GUARD® Product in accordance with the Manufacturer's written instructions or guidelines included with the WEATHER GUARD® Product or made available to the original purchaser.
- Damage to the contents of the box or vehicle.
- TO THE EXTENT PERMITTED BY LAW, IN NO EVENT SHALL THE MANUFACTURER BE LIABLE FOR ANY INCIDENTAL, SPECIAL, INDIRECT, OR CONSEQUENTIAL DAMAGES, INCLUDING ANY ECONOMIC LOSS, WHETHER RESULTING FROM NONPERFORMANCE, USE, MISUSE OR INABILITY TO USE THE WEATHER GUARD® PRODUCT OR THE MANUFACTURER'S NEGLIGENCE.

### No Other Express Warranty Applies

This Limited Lifetime Warranty is the sole and exclusive warranty for WEATHER GUARD® Products. No employee, agent, dealer, or other person is authorized to alter this warranty or make any other warranty on behalf of Knaack LLC.

### Notification Procedures

If the WEATHER GUARD® Product does not conform with the terms of this limited warranty, the original owner must promptly notify the Manufacturer in writing upon discovery of the nonconformity. In order to receive the remedies under this limited warranty, the warranty claim must describe the nature of the nonconformity, and a copy of the original sales receipt, invoice, bill or other proof of purchase must accompany the claim. Repairs or modifications made to the WEATHER GUARD® Product by other than the Manufacturer or its authorized agent will nullify this limited warranty. Coverage under this limited warranty is conditioned at all times upon the owner's compliance with these required notification and repair procedures. Warranty claims must include reciprocal contact information and may be made via certified mail to:

Knaack LLC  
ATTN: Warranty Claims  
420 E. Terra Cotta Avenue Crystal Lake, IL 60014

If you have any questions, please call toll free at 1-800-456-7865.  
©2013 Knaack LLC

