



VAN STORAGE SOLUTIONS

FOR THE WAY YOU WORK™

REDZONE Shelving/ Secure Storage Unit

WWW.WEATHERGUARD.COM

ATTENTION: PLEASE READ AND UNDERSTAND ALL INSTRUCTIONS AND WARNINGS BEFORE ASSEMBLING, INSTALLING OR USING THIS PRODUCT.

! PLAN YOUR VAN (TIPS FOR FASTER INSTALLATION)

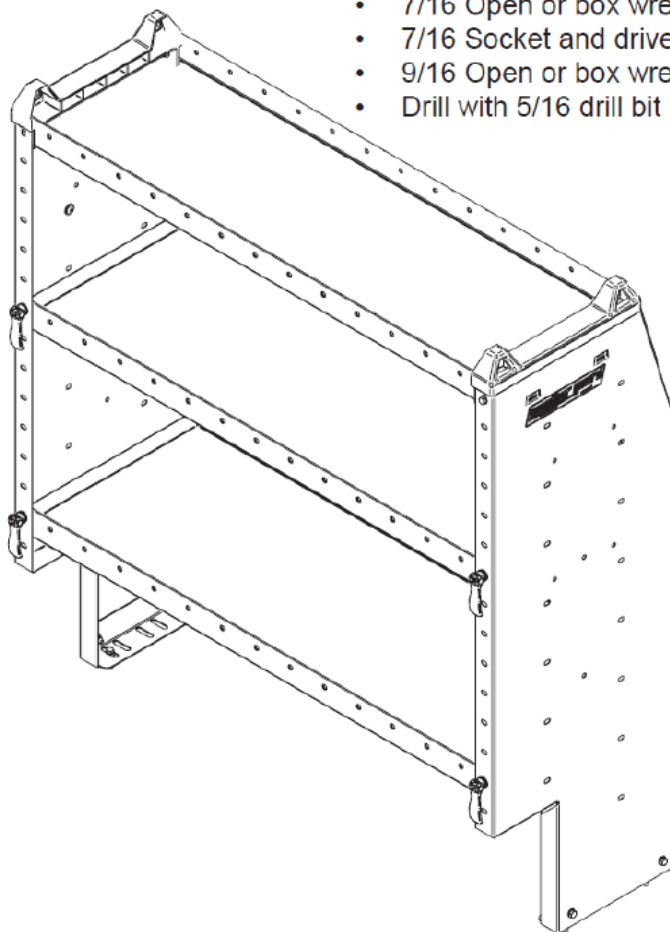
- Consider what items you'll use on each shelf and mount them to the end panels where you need them. The shelves are easily adjustable, but its faster if you don't have to adjust them until your needs change in the future.
- Not planning on moving shelves? The bolt kit includes enough hardware to mount a fixed shelf with a bolt instead of a cam handle.
- Look for convenient mounting points when placing the shelf unit in the van. Double check the location for mounting straps on top before drilling holes in the floor.
- Plus nuts speed up installation but make sure that you're in a safe location before drilling so you don't puncture fuel tanks, lines, or a cable harness. Allow 2" clearance from the end of fasteners to the outside edge of a fuel tank.

BOLT KIT

DESCRIPTION	QTY
Floor Mounting Bracket	2
Wall Mounting Strap	4
Angle Mounting Bracket	4
1/4-20 x 3/4 Mounting Bolt	26
1/4-20 x 1-1/2" Mounting Bolt	4
1/4-20 x 1-1/4" Mounting Bolt	4
1/4-20 x 1-1/4" Hex washer head Bolt	2
1/4-20 Lock Nut	28
1/4" Flat Washer	40
1/4" Lock Washer	8
3/8" thick Floor Spacer	4
3/4" thick Floor Spacer	4
1/4-20 Blind Fastener	8
Blind Fastener Installation Tool	1
1/4-20 x 2-1/4" Black Bolt	1
Quick Adjust Handle	2 per shelf

TOOLS REQUIRED

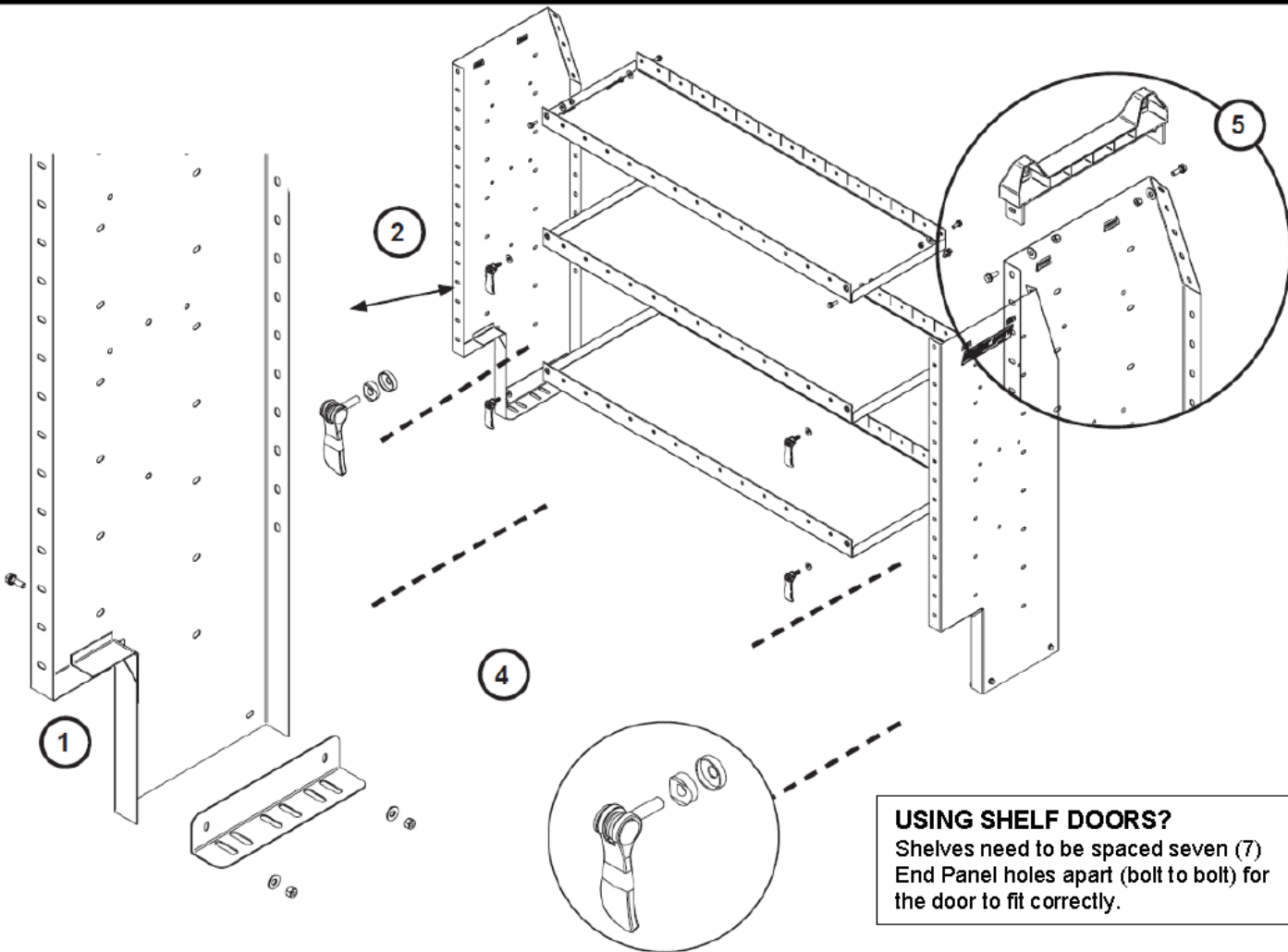
- 7/16 Open or box wrench
- 7/16 Socket and driver
- 9/16 Open or box wrench
- Drill with 5/16 drill bit



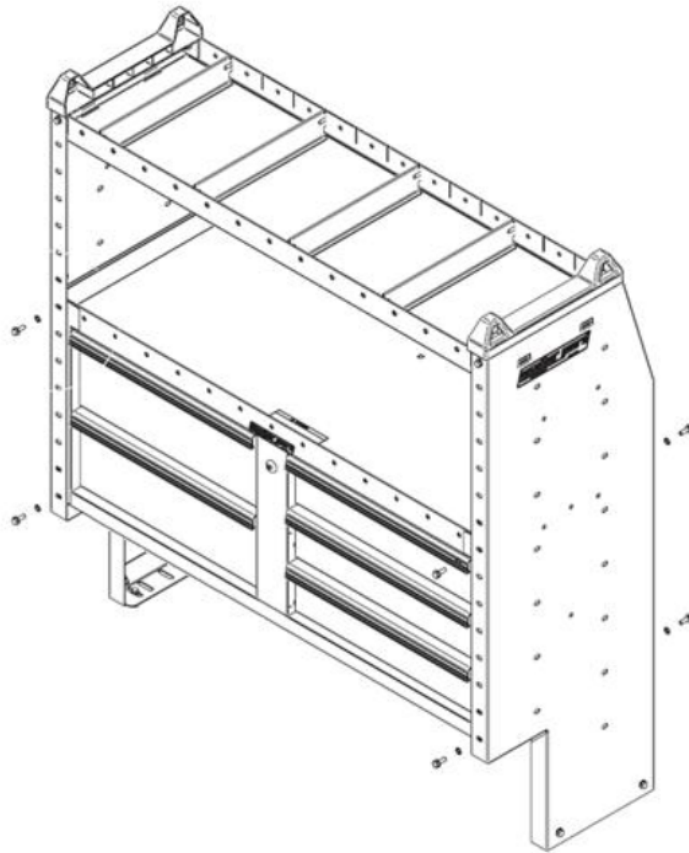
! CAUTION

Be safe - always wear protective eye-wear to keep debris out of your eyes when installing WEATHER GUARD® Van Products.

SHELF ASSEMBLY INSTRUCTIONS



- STEP 1.** Loosely assemble a mounting bracket to each end panel using two each $\frac{1}{4}$ -20 x $\frac{3}{4}$ " bolts, $\frac{1}{4}$ " flat washers, and nylon lock nuts per bracket.
- STEP 2.** With the end panels resting on the floor, insert the top shelf into the bayonet clips, with the square hole towards the front of the shelf unit.
- STEP 3.** Install shelves working from the lowest shelf upward. Consider wheel well height and clearance for tools or equipment when placing lowest shelf.
- If the shelf kit doesn't include shelf adjust levers or the customer does not want tool-less adjustability of their shelves: position the shelf between the end panels and using $\frac{1}{4}$ -20 x $\frac{3}{4}$ " mounting bolts and $\frac{1}{4}$ -20 lock nuts and the pressed-in nuts on the front of the shelves.
- STEP 3. For Tool-less Adjustability,** first raise the shelf unit into an upright position.
- Holding the first shelf with the locating pins pointing downward, angle it between the end panels.
 - Turn the shelf with the mounting pins pointing at the holes in the end panel at the target shelf position.
 - Rotate the shelf downward, inserting the pins into the end panels and lining up the mounting holes with the target holes in the end panels.
 - Install the shelf adjust levers placing a plastic washer and cup washer between the end panel and the threaded portion, do not tighten until checking for alignment.
 - Repeat with remaining shelves.
- STEP 5.** Red end caps provide a spot to secure materials on the top shelves, or to let longer items span shelf units. Place the end caps on the end panels and attach using $\frac{1}{4}$ -20 mounting bolts and nylon lock nuts. Use $\frac{1}{4}$ -20 x $\frac{3}{4}$ " mounting bolts in the front and $\frac{1}{4}$ -20 x 1- $\frac{1}{4}$ " hex head mounting bolts in the back.
- STEP 6.** Repeat assembling other shelf units to be installed.

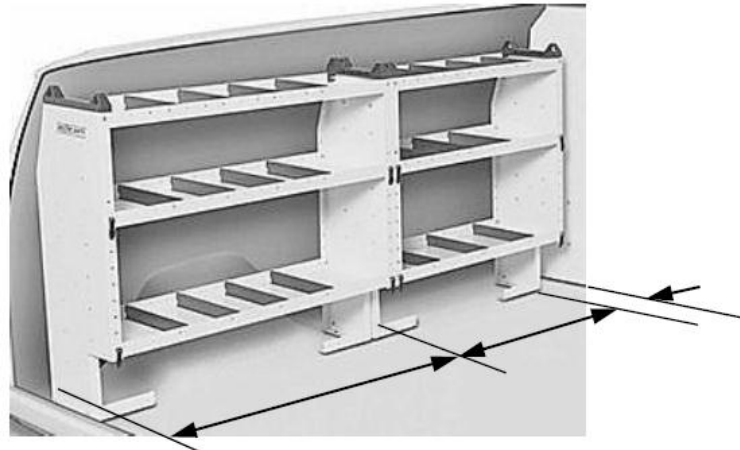


- STEP 1.** Loosely assemble a mounting bracket to each end panel using two ¼-20 x ¾" bolts and nylon lock nuts per bracket.
- STEP 2.** With the Secure Storage Module resting, place an end panel on each side of the Secure Storage Module at the required hole position and bolt in place with four ¼-20 X ¾" mounting bolts. Discard the bolts with 10mm or 3/8" heads if included.
- STEP 3.** Insert the top shelf into the bayonet clips.
- STEP 4.** Carefully raise the shelf unit to an upright position and bolt the Secure Storage Module in place with four more ¼-20 bolts. If you have additional shelves install them at this time.
- STEP 5.** If using red end caps, place the end caps on the end panels and attach using ¼-20 hex washer head mounting bolts, flat washers, and lock nuts. Use ¾" long bolts in front and 1-¼" bolts in the back.
- STEP 6.** Repeat assembling other shelf units to be installed.
- STEP 7.** Place assembled shelves in van, check for straightness. If using existing mounting holes in the van, skip to step 11.
- STEP 8.** Mark floor mounting locations.

SHELF UNIT INSTALLATION INSTRUCTIONS

WEATHER GUARD® RAPID MOUNT Van Shelving provides a lot of flexibility for mounting in vehicles to customize the up-fit to the needs of tradesmen and professionals.

- STEP 1.** First, verify where the shelves are to be placed in the van, taking into account all equipment being installed, shelf sizes, and the most convenient floor and wall mounting points. Check for clearance around wheel wells, tire jack, fuel tank, fuel filler, fuel lines, brake lines, and cable harnesses.



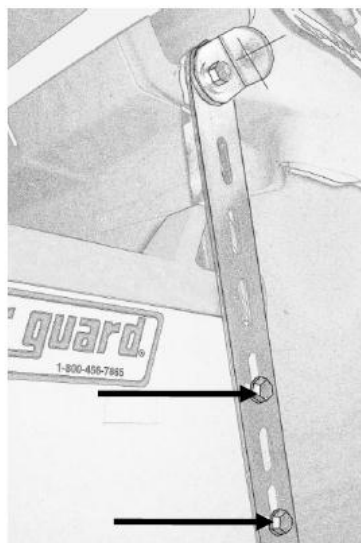
PLAN PLACEMENT AND VERIFY POSITION IN VAN BEFORE DRILLING

- STEP 2.** It may help to attach the wall mounting straps to the shelf unit at this time.

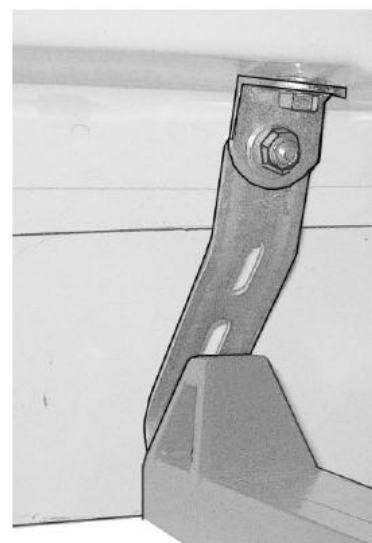
WEATHER GUARD® RAPID MOUNT van shelving provides multiple points to attach wall mounting straps to the shelf unit. The recommended attachment point is on the ends of the end panels, angled upwards to the van roof, but you can also attach them to the 1-1/2" wide edges of the end panels or to other mounting holes on the top shelf. For a secure installation, use two 1/4-20 x 3/4" mounting bolts, two flat washers, and two 1/4-20 lock nuts to attach each strap to the shelf unit.

The wall mounting straps can also be bent to get a precise fit to the inside wall of the van.

Mounting Strap on End of End Panel
(recommended)

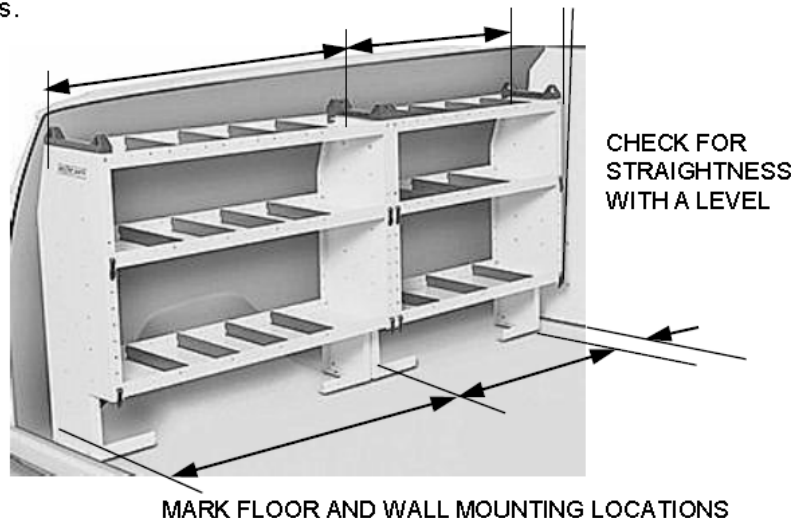


Mounting Strap on Edge of End Panel
(optional)



SHELF UNIT INSTALLATION INSTRUCTIONS

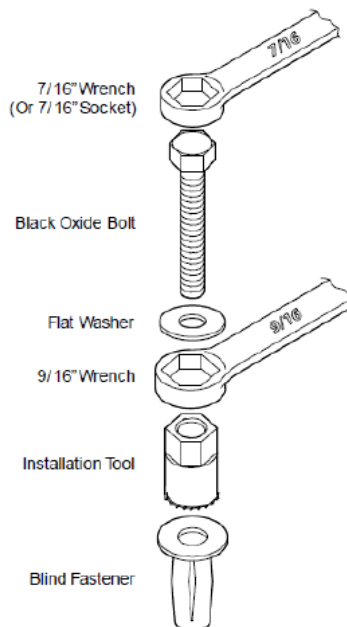
- STEP 3.** Place assembled shelves in van, check for straightness. If using existing mounting holes in the van, skip to step 11.
- STEP 4.** Mark floor and wall mounting locations. Two mounting bolts per bracket is recommended. Verify that mounting locations will not puncture the fuel tank or break fuel lines, brake lines, cable harnesses.



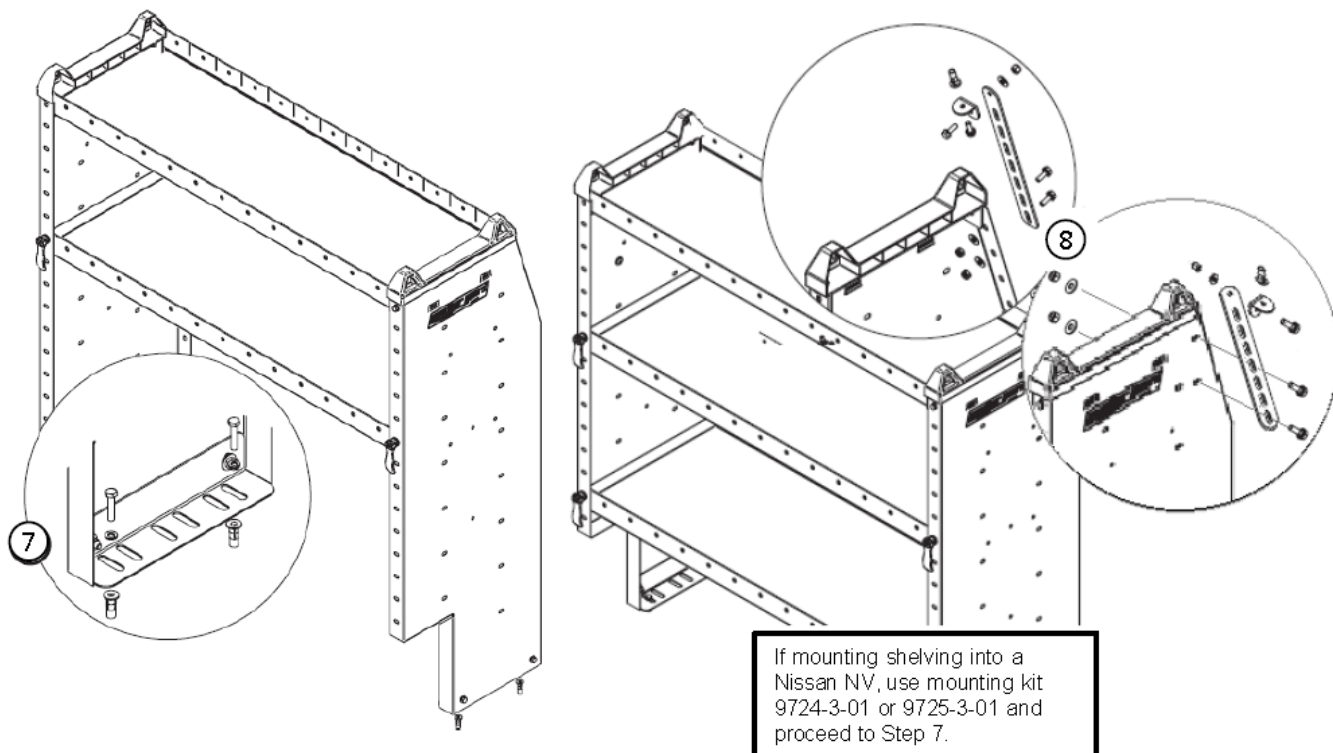
- STEP 5.** Move the shelf unit out of the way and drill the floor mounting holes. Verify that mounting locations will not puncture the fuel tank or break fuel lines, brake lines, cable harnesses. We keep repeating this because its really important. If the van has a floor liner mat, cut 1" diameter holes in the mat so that the blind fasteners will correctly install in the floor.
- STEP 6.** Install plus nuts in floor (4 per shelf unit is recommended). When shelf units mount next to each other, if you bolt the adjacent end panels to each other, one floor mounting can be shared between the two shelf units. Follow the special instructions for installing blind fasteners. **DO NOT USE BLIND FASTENERS IF THERE IS A RISK OF THE BLIND FASTENER PUNCTURING A FLUEL TANK.** Instead, use a 1/4-20 x 1-1/2" bolt with a lock washer and flat washer from the underside of the van and secure with a washer and 1/4-20 lock nut.

INSTALLATION INSTRUCTIONS FOR BLIND FASTENER

- Place a drop of oil on the black oxide bolt before assembling as shown on right.
- Place the Blind Fastener in the hole and use a 7/16" wrench to tighten black hex bolt until the Blind Fastener is fully seated.
- When setting black hex bolt, it will start out hard. As the Blind Fastener "bulbs" out it will get easier, until it bottoms out or sets.
- Use a 9/16" wrench to make sure the Blind Fastener and Installation Tool do not turn during installation.



SHELF UNIT INSTALLATION INSTRUCTIONS



STEP 7. Reposition the assembled shelf unit in van, check for straightness. Mount shelf unit to floor. Use a washer and the $\frac{1}{4}$ -20 x 1- $\frac{1}{2}$ " mounting bolts into the blind fasteners. Use floor spacers as required to level the shelf unit ensuring a solid connection to the van floor. Wait until the shelf unit is attached to the walls before completely tightening the floor mounting bolts.

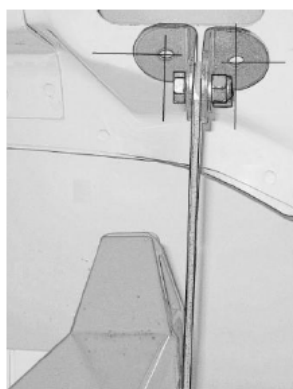
STEP 8. If you have not already done so, attach the mounting straps to the end panels. For a secure installation, use two $\frac{1}{4}$ -20 x $\frac{3}{4}$ " mounting bolts, two flat washers, and two $\frac{1}{4}$ -20 lock nuts to attach each strap to the shelf unit.

The wall mounting straps can also be trimmed or bent to get a precise fit to the inside wall of the van. Two angled mounting brackets and blind fasteners are included for each wall mounting bracket because some installations may require more than one mounting bolt in the wall.

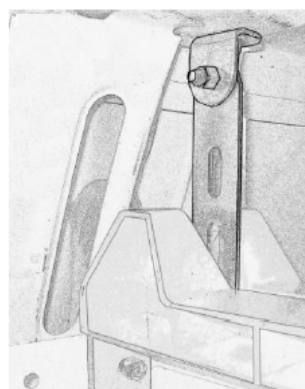
STEP 9. Verify that the wall mounting locations and install blind fasteners unless using pre-installed mounting points in the van. Follow the instructions for installing blind fasteners. Some installations may require more than one mounting bolt in the wall for each mounting strap..



Attach Mounting Strap to end panel with 2 sets of $\frac{1}{4}$ -20 hardware



Use two mounting angles for more secure wall attachment.



Attach Mounting Strap between adjacent end panels.



Bent Mounting Strap attached to inside edge of End Panel.

SHELF UNIT INSTALLATION INSTRUCTIONS

WEATHER GUARD® RAPID MOUNT Van Shelving provides a lot of flexibility for mounting in vehicles to customize the up-fit to the needs of tradesmen and professionals.

- STEP 10.** Assemble a lock washer and a flat washer to each ¼-20 x 1-¼" mounting bolt, and loosely attach the shelf unit to the blind fasteners in the van wall through the mounting strap assemblies.
- STEP 11.** Once all brackets and mounting bolts are in place, recheck for straightness and tighten all bolts to 24 in-lbs.

When mounting two shelf units next to each other, attach the two end panels together inside the van.

- a. Assemble the two end panels and one floor mounting bracket together with a pair of ¼-20 x ¾" bolts and nylon lock nuts.
- c. Assemble the two end panels together with two additional ¼-20 x ¾" bolts and nylon lock nuts in the uppermost pair of end panel mounting holes. We recommend attaching a wall mounting strap between the end panels to provide a secure wall mount for the shelf units.

Some accessories, like shelf doors, back panels, and retainer lips may be easier to install before installing the shelf unit in the van.

60" wide shelf units include a center support bracket. It can be mounted in front of or behind the shelf unit. The support bracket doesn't need to be centered, but if the unsupported span exceeds 48 or you don't install it, you'll need to reduce the amount of weight on the shelf.

WARNING

This product can reduce the driver's ability to clearly see roadways, vehicular or pedestrian traffic and other objects through the rear and side windows of the vehicle, which can cause an accident. Extra precautions should be taken when driving a vehicle with this product. Make all adjustments necessary to ensure maximum visibility, including but not limited to, changing mirror and seating positions. State and local laws may prohibit obstruction of windows in a moving vehicle.

These instructions are to be followed using the parts and fasteners supplied for proper installation. Any modifications or improper installation of this product will create a hazardous condition that could result in death, serious personal injury and/or property damage.

CAUTION

Prior to drilling, so as not to cut electric wires, fuel lines, brake lines, etc., check behind and underneath drilling and mounting locations. To keep debris out of your eyes when checking the underside of the vehicle, or when drilling, always wear protective eye wear. Failure to heed this warning will result in death or serious injury.

– NOTICE –

Any modification or unintended use of this product shall immediately void all manufacturers warranties. Manufacturer disclaims all liability for injuries to persons or property resulting from any modification to, or unintended use of this product.

KNAACK LLC LIMITED LIFETIME WARRANTY FOR WEATHER GUARD® PRODUCTS

WEATHER GUARD® Products — Limited Lifetime Warranty
(Purchased on or after 1/1/2009)

Knaack, LLC (the "Manufacturer") warrants to the original purchaser only that WEATHER GUARD® Truck and Van Products (the "WEATHER GUARD® Product") will be free from defects in material and workmanship from the date of purchase and continuing for the expected lifetime of the WEATHER GUARD® Product. A copy of the original sales receipt must be supplied to the Manufacturer at the time a warranty claim is made. This warranty terminates if the original purchaser transfers the WEATHER GUARD® Product to any other person.

What Is Covered

All WEATHER GUARD® Products identified above that are purchased on or after January 1, 2009.

What We Will Do to Correct Problems

Subject to the limitations and exclusions described in this limited warranty, the Manufacturer will remedy defects in materials or workmanship by providing one of the following remedies at its option and without charge to the original purchaser for parts or labor: (a) repairing the defective portion of the WEATHER GUARD® Product or (b) replacing the entire WEATHER GUARD® Product. In addition, the manufacturer may elect at its option, not to repair or replace the WEATHER GUARD® Product, but rather issue to the original purchaser a refund equal to the purchase price paid for the WEATHER GUARD® Product or a credit to be used toward the purchase of new WEATHER GUARD® Product.

What Is Not Covered

This limited warranty expressly excludes:

- Defects caused by normal wear and tear, cosmetic rust, scratches, accidents, unlawful vehicle operation, or modification to the product, or any types or repair of a WEATHER GUARD® Product other than those authorized or provided by the Manufacturer.
- Defects resulting from conditions beyond the Manufacturer's control including, but not limited to misuse, overloading, or failure to assemble, mount or use the WEATHER GUARD® Product in accordance with the Manufacturer's written instructions or guidelines included with the WEATHER GUARD® Product or made available to the original purchaser.
- Damage to the contents of the box or vehicle.
- TO THE EXTENT PERMITTED BY LAW, IN NO EVENT SHALL THE MANUFACTURER BE LIABLE FOR ANY INCIDENTAL, SPECIAL, INDIRECT, OR CONSEQUENTIAL DAMAGES, INCLUDING ANY ECONOMIC LOSS, WHETHER RESULTING FROM NONPERFORMANCE, USE, MISUSE OR INABILITY TO USE THE WEATHER GUARD® PRODUCT OR THE MANUFACTURER'S NEGLIGENCE.

No Other Express Warranty Applies

This Limited Lifetime Warranty is the sole and exclusive warranty for WEATHER GUARD® products. No employee, agent, dealer, or other person is authorized to alter this warranty or make any other warranty on behalf of Knaack LLC.

Notification Procedures

If the WEATHER GUARD® Product does not conform with the terms of this limited warranty, the original owner must promptly notify the Manufacturer in writing upon discovery of the nonconformity. In order to receive the remedies under this limited warranty, the warranty claim must describe the nature of the nonconformity, and a copy of the original sales receipt, invoice, bill or other proof of purchase must accompany the claim. Repairs or modifications made to the WEATHER GUARD® Product by other than the Manufacturer or its authorized agent will nullify this limited warranty. Coverage under this limited warranty is conditioned at all times upon the owner's compliance with these required notification and repair procedures. Warranty claims must include reciprocal contact information and may be made via certified mail to:

Knaack LLC
ATTN: Warranty Claims
420 E. Terra Cotta Avenue
Crystal Lake, IL 60014

If you have any questions, please call toll free at 1-800-458-7865.

©2012 Knaack LLC

