

INSTALLATION INSTRUCTIONS

Freon Tank Rack - Models 8881 • 8882 • 8895

IMPORTANT BEFORE YOU BEGIN

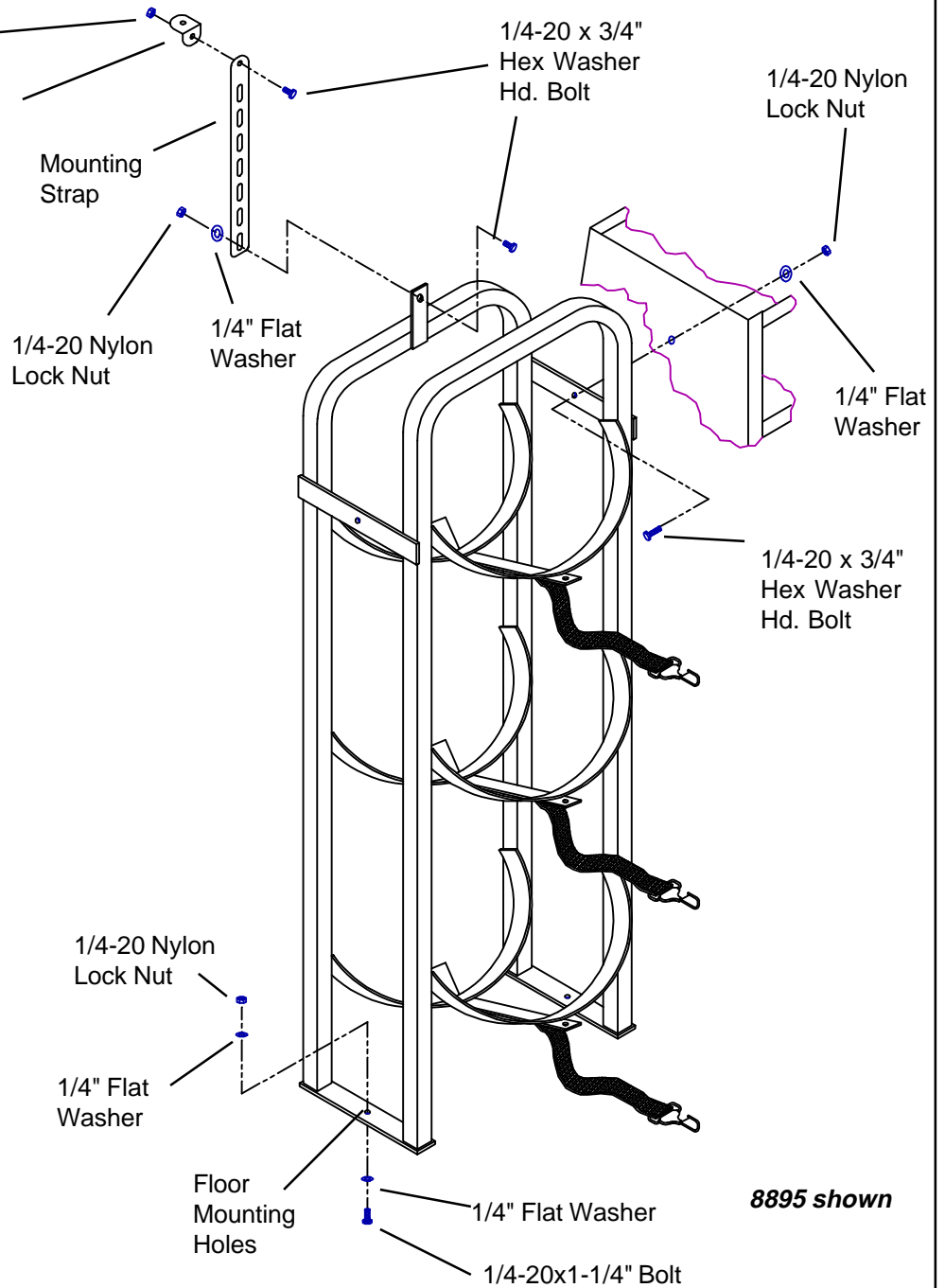
Read these instructions and warnings completely before installing.

Approximate Installation Time:
24 min. per unit (0.4 hrs.)
Depending on Van equipment installation experience.

BOLT KIT

Bolt Kit #32-8895 has been provided with your rack. Check this bolt kit to be sure the following parts are included:

Quan.	Description
2	1/4-20 x 1-1/4" Hex Head Bolt
3	1/4-20 x 3/4" Hex Washer Hd. Bolt
6	1/4" Flat Washer
5	1/4-20 Nylon Lock Nut
2	1/4" Lock Washer
2	1/4-20 Blind Fastener
1	1/4-20 x 2-1/4" Bolt (Black Oxide)
1	Installation Tool
1	12" Mounting Strap
1	Mounting Angle



TOOLS REQUIRED

- Electric Drill
- 9/32" & 13/32" Drill Bits
- 7/16" Wrenches (2)
- 9/16" Wrench

PARTS LIST

- 1- Tank Rack
- 1- Bolt Kit

INSTALLATION INSTRUCTIONS

1. Place a freon tank in the top cradle, and set the Rack into position. If a freon tank is not available, place the Rack 4-1/2" away from the van wall at the top of the rack, or any other obstruction at the rear of the Rack. Mark the two floor mounting holes. If positioning the Rack next to another unit, mark the side hole in the bracket on the Rack. Remove the tank.

2. A wall Mounting Strap and a Mounting Angle are provided. The Mounting Strap may be bent to any shape and/or used with the Mounting Angle. The Mounting Strap should be attached to the upper portion of the unit in a manner that would minimize movement of the unit both front to rear and side to side.

⚠ CAUTION

To keep debris out of your eyes when checking the underside of the vehicle, or when drilling, always wear protective eyewear.

⚠ CAUTION

Prior to drilling, so as not to cut or puncture fuel tanks, fuel lines, brake lines, electric wires, etc., check under vehicle for locations.

3. Drill all marked holes (9/32"), except the hole for the mounting strap (13/32"), which will use a Blind Fastener for mounting. See Blind Fastener installation instructions.

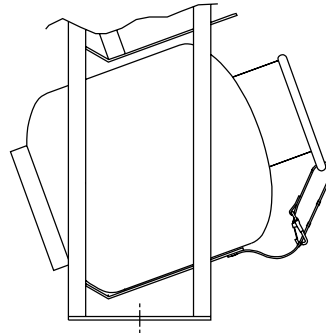
⚠ WARNING

All floor mounting bolts near the gas tank area should be installed from the underside of the vehicle, to guard against the gas tank being punctured in the event of a collision.

4. Once holes are drilled, fasten the tank rack to the floor.

NOTE: One extra Blind Fastener and one extra lock washer have been provided for use in areas where standard fasteners can't be used, such as heat shields and support channels.

5. Bolt the Rack to the unit beside it (if applicable) then bolt the Mounting Strap to the vehicles channel.

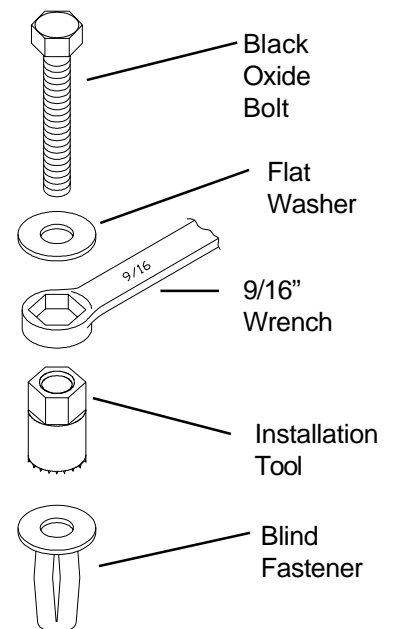


⚠ WARNING

Freon tanks must be strapped in place, so as not to become a projectile during sharp turns, or in the event of a collision. If the straps are not used, it could result in serious personal injury or property damage.

INSTALLATION PROCEDURE USING BLIND FASTENERS

Place a drop of oil on the black oxide bolt before assembling as shown below. Place the Blind Fastener in the hole and use a 1/2" or 7/16" wrench to tighten black hex bolt until the blind fastener is fully seated. When setting black hex bolt, it will start out hard. As the Blind Fastener "bulbs" out it will get easier, until it bottoms out or sets. Make sure the Blind Fastener and Installation Tool do not turn during installation.



- NOTICE -

Any modification or unintended use of this product shall immediately void all manufacturers warranties. Manufacturer disclaims all liability for injuries to persons or property resulting from any modification to, or unintended use of this product.

If you have any questions, please give us a call. Call Toll Free 1-800-456-7865

WEATHER GUARD® product are protected by one or more of the following trademarks:

U.S. - 842268, 1661625, 1663369, 2228051, 2362167; Canada - 282725; U.K. - 1400720; N.Z. - B296049; Aus. - 761964

KNAACK
MANUFACTURING
COMPANY

KNAACK MANUFACTURING COMPANY

420 E. TERRA COTTA AVENUE - CRYSTAL LAKE, ILLINOIS, USA 60014 - 815-459-6020

© 2001 Knaack Manufacturing Company

