



VAN STORAGE SOLUTIONS
FOR THE WAY YOU WORK™

INSTALLATION MANUAL

MOUNTING CHANNEL KIT, 113 in (2113-0-01)

ATTENTION: PLEASE READ AND UNDERSTAND ALL INSTRUCTIONS AND WARNINGS BEFORE ASSEMBLING, INSTALLING OR USING THIS PRODUCT.

TOOLS REQUIRED

- RTV Automotive/ Exterior sealant (not included)
- Thread Lock Compound (not included)
- 5 mm HEX KEY (for M8 mounting bolts)
- 1/2 in Wrench/ Socket
- 7/16 in Wrench/ Socket
- Impact wrench or Drill/driver
- Tape measure
- Marker
- Saw (FOR 118 in WHEELBASE RAM PROMASTER)

CAUTION

Be safe - always wear protective eyewear to keep debris out of your eyes when installing WEATHER GUARD® Van Products.

PARTS LIST



18X 5/16" WASHER



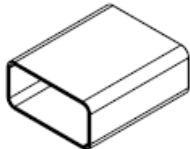
16X MBX20MM BOLT



16X MB SQUARE NUT



4X 5/16"X1-1/4" BOLT



4X RED CAP



2X 5/16" NYLON LOCK NUT



12X 1/4" NYLON LOCK NUT



12X 1/4" WASHER



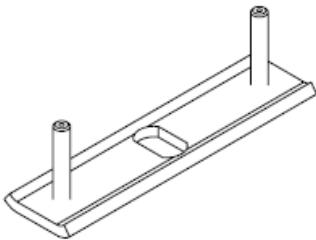
2X 5/8" BUMPER



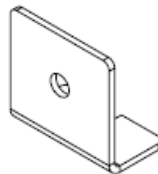
1X M8X55MM HEX



10X M8 BLIND FASTENER



6X STUD PLATE



14X PROMASTER BRACKET



2X MOUNTING CLAMP



1X BLIND FASTENER
INSTALL TOOL



2X MOUNTING CHANNEL

ATTENTION: PLEASE READ AND UNDERSTAND ALL INSTRUCTIONS AND WARNINGS BEFORE ASSEMBLING, INSTALLING OR USING THIS PRODUCT.

INSTALLATION INSTRUCTIONS

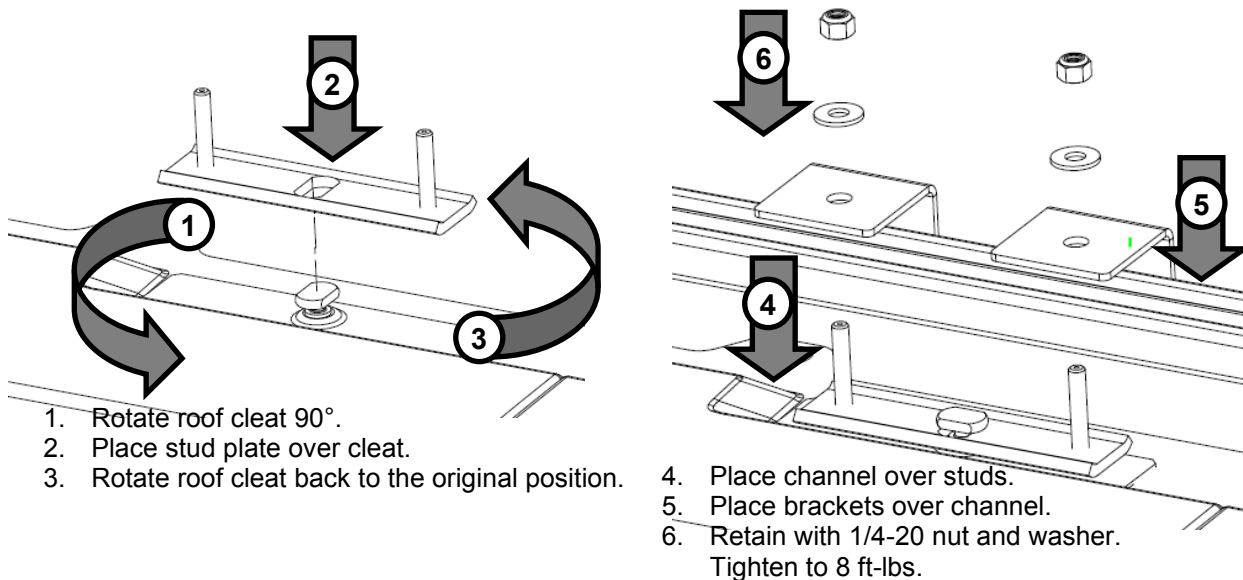
GENERAL INSTRUCTIONS:

The mounting channel kit includes mounting channels and hardware to attach the channels to the roof of a compact van using mounting holes or weld nuts provided by the OEM van manufacturer.

- STEP 1** Position mounting channels on roof of van aligning the holes and slots with OEM mounting points.
- STEP 2** Apply RTV sealant (not included) to the van roof around the mounting points to prevent water from leaking into the vehicle.
- STEP 3** Attach red cap to ends of mounting rails.
- STEP 4** Apply thread lock compound (not included) to mounting bolts.
- STEP 5** Attach the mounting channels to the van using the washers and mounting bolts provided.

VEHICLE SPECIFIC INSTALLATION NOTES:

RAM PROMASTER: Attach the mounting channels to special cleats in the roof of the RAM Promaster following the steps below. RTV is not needed. Determine where the cross-members will be located and position ladder rack mounting hardware IN THE CHANNEL before attaching the mounting channels to the roof cleats.

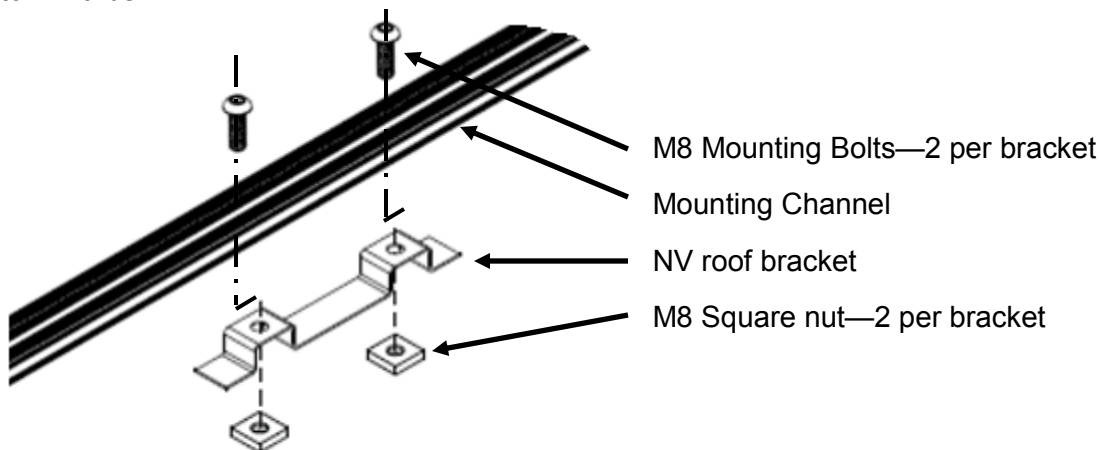


118 IN WHEEL-BASE PROMASTER: Position the mounting channel on the roof, mark the length to fit the van roof and trim the mounting rail with the saw. Because of the roof design, there is a small gap between the roof and the front of the mounting channel. To provide a solid support for the front of the mounting channel, attach the Bumpers to the underside of the channel using two each of the 5/16-18 x 1-1/4 in mounting bolt, the 5/16 in washer, and the 5/16-18 lock nuts. Tighten to 10 ft-lbs.

Follow the instructions above for mounting the channels to the roof cleats.

NISSAN NV:

The Nissan NV provides raised mounting brackets for roof-rack mounting. Position the mounting channels over the brackets and use the M8 bolts and M8 square nuts to attach the channels to the brackets. Tighten bolts to 17 ft-lbs.



MERCEDES BENZ SPRINTER:

The mounting channel kits are designed for MY2007 and later Sprinter vans. Position the mounting channels on the roof of the van and align mounting holes with the roof mounting holes.

Attach the channels to the roof using the M8 blind fasteners. Enlarge the holes using a 7/16" or 11 mm bit to fit the blind fasteners. If you are adding additional holes, verify that you won't cut any wires under the roof and drill pilot holes using a 1/8" bit and then enlarge them as noted above.

Follow the blind fastener installation instruction to mount the blind fasteners. Be careful during installation not to damage any wiring that may be located inside the roof of the van.

Use the M8 bolts provided to attach the mounting channels to the weld nuts in the van roof.

Tighten bolts to 17 ft-lbs.

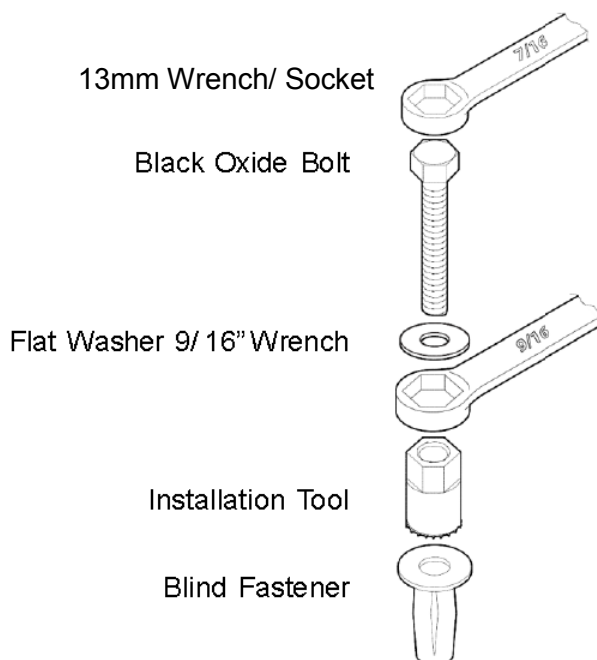
Installing Blind Fasteners

Before installing blind fasteners, verify the location of wiring, air-bags, sense wires, etc. so you don't accidentally damage something important.

Slip a washer on the M8 x 55 mm bolt, and pass them through the 9/16" wrench and installation tool as shown at right. Place a drop of oil on the M8 bolt before threading on the blind fastener.

Place the blind fastener through the hole and use the 13 mm wrench or socket to tighten the bolt until the blind fastener is fully seated.

As the blind fastener "bulbs-out" it will get easier to turn until it bottoms out and "sets". Make sure that the blind fastener and installation tool do not turn during installation.



! WARNING

This product is only intended and safe for use in storing and transporting small tools, equipment and other similar materials. These instructions are to be followed using the parts and fasteners supplied for proper installation. Any modifications or improper installation of this product will create a hazardous condition that could result in death, serious personal injury and/or property damage.

All floor mounting bolts near the fuel tank area should be installed from the underside of the vehicle, to guard against the fuel tank being punctured in the event of a collision. This would mean not using Blind Fasteners in this area. Holes in this area should be 5/16". Ensure ample space in roof ribs and sidewall ribs for mounting screws so as not to puncture exterior roof or wall.

Do not install this product where it could interfere with deployment of air bags. Failure to comply could result in death or serious body injury.

- NOTICE -

Any modification or unintended use of this product shall immediately void all manufacturers warranties. Manufacturer disclaims all liability for injuries to persons or property resulting from any modification to, or unintended use of this product.

KNAACK LLC LIMITED LIFETIME WARRANTY FOR WEATHER GUARD® PRODUCTS

WEATHER GUARD® Products — Limited Lifetime Warranty (Purchased on or after 1/1/2009)

Knaack LLC (the "Manufacturer") warrants to the original purchaser only that WEATHER GUARD® Truck and Van Products (the "WEATHER GUARD® Product") will be free from defects in material and workmanship from the date of purchase and continuing for the expected lifetime of the WEATHER GUARD® Product. A copy of the original sales receipt must be supplied to the Manufacturer at the time a warranty claim is made. This warranty terminates if the original purchaser transfers the WEATHER GUARD® Product to any other person.

What is Covered

All WEATHER GUARD® Products identified above that are purchased on or after January 1, 2009.

What We Will Do to Correct Problems

Subject to the limitations and exclusions described in this limited warranty, the Manufacturer will remedy defects in materials or workmanship by providing one of the following remedies at its option and without charge to the original purchaser for parts or labor: (a) repairing the defective portion of the WEATHER GUARD® Product or (b) replacing the entire WEATHER GUARD® Product. In addition, the manufacturer may elect at its option, not to repair or replace the WEATHER GUARD® Product, but rather issue to the original purchaser a refund equal to the purchase price paid for the WEATHER GUARD® Product or a credit to be used toward the purchase of new WEATHER GUARD® Product.

What is Not Covered

This limited warranty expressly excludes:

- Defects caused by normal wear and tear, cosmetic rust, scratches, accidents, unlawful vehicle operation, or modification to the product, or any types or repair of a WEATHER GUARD® Product other than those authorized or provided by the Manufacturer.
- Defects resulting from conditions beyond the Manufacturer's control including, but not limited to misuse, overloading, or failure to assemble, mount or use the WEATHER GUARD® Product in accordance with the Manufacturer's written instructions or guidelines included with the WEATHER GUARD® Product or made available to the original purchaser.
- Damage to the contents of the box or vehicle.
- TO THE EXTENT PERMITTED BY LAW, IN NO EVENT SHALL THE MANUFACTURER BE LIABLE FOR ANY INCIDENTAL, SPECIAL, INDIRECT, OR CONSEQUENTIAL DAMAGES, INCLUDING ANY ECONOMIC LOSS, WHETHER RESULTING FROM NONPERFORMANCE, USE, MISUSE OR INABILITY TO USE THE WEATHER GUARD® PRODUCT OR THE MANUFACTURER'S NEGLIGENCE.

No Other Express Warranty Applies

This Limited Lifetime Warranty is the sole and exclusive warranty for WEATHER GUARD® Products. No employee, agent, dealer, or other person is authorized to alter this warranty or make any other warranty on behalf of Knaack LLC.

Notification Procedures

If the WEATHER GUARD® Product does not conform with the terms of this limited warranty, the original owner must promptly notify the Manufacturer in writing upon discovery of the nonconformity. In order to receive the remedies under this limited warranty, the warranty claim must describe the nature of the nonconformity, and a copy of the original sales receipt, invoice, bill or other proof of purchase must accompany the claim. Repairs or modifications made to the WEATHER GUARD® Product by other than the Manufacturer or its authorized agent will nullify this limited warranty. Coverage under this limited warranty is conditioned at all times upon the owner's compliance with these required notification and repair procedures. Warranty claims must include reciprocal contact information and may be made via certified mail to:

Knaack LLC ATTN: Warranty Claims
420 E. Terra Cotta Avenue Crystal Lake, IL 60014

If you have any questions, please call toll free at 1-800-456-7865.

©2013 Knaack LLC

