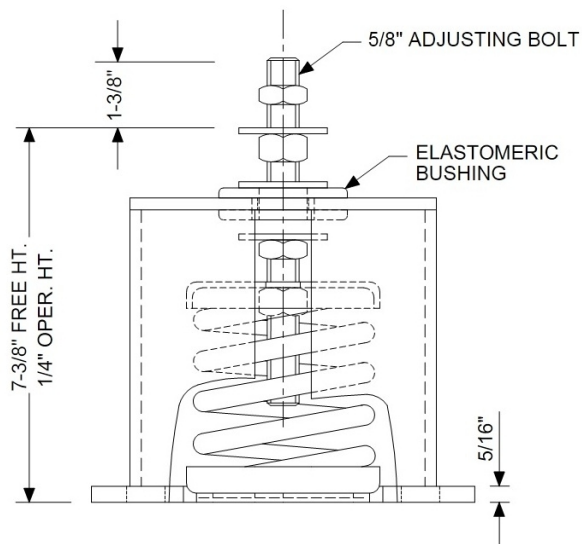
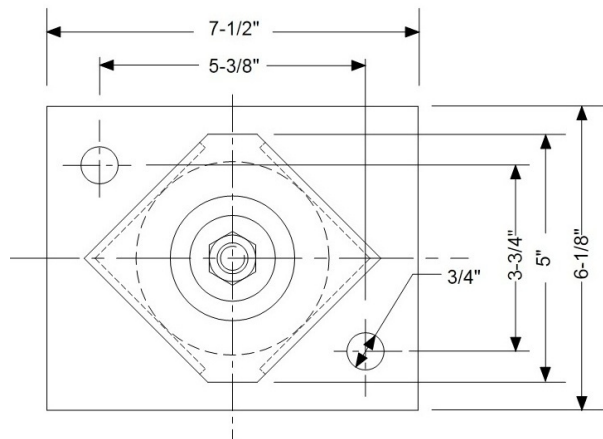




SEISMIC SPRING MOUNTS (Type "SS-B-200" Series 2" Deflection)

Seismic spring mounts type **SS-B-200** series are heavy duty steel spring isolators with built in all directional snubbing. The snubbing element is a high quality molded neoprene. The housing is made of steel construction with powder coated finish. The spring is made of galvanized steel.



FEATURES:

- Built-in leveling device
- Welded construction
- Anti-skid elastomeric acoustical pad
- Springs are color-coded for easy field verification
- Mounting holes furnished as standard
- High deflection, low natural frequency
- Large diameter laterally stable springs

APPLICATION:

Used for air conditioning equipments such as compressors, air handling units, centrifugal fans, pumps and chillers.

NOTE:

Housing will be elevated 1/4" above ground when installed. Pull down to floor with anchor bolts.



ANDRE HVAC International Inc

ISOLATOR MODEL	RATED LOAD (LBS)	RATED DEFLECTION (INCH)	SPRING COLOR	
			MAIN	STRIPE
SS-B-251	110	2.0	Silver	Blue
SS-B-252	140	2.0	Silver	Yellow
SS-B-253	180	2.0	Silver	Black
SS-B-254	240	2.0	Silver	Purple
SS-B-255	330	2.0	Silver	Brown
SS-B-256	460	2.0	Silver	Red
SS-B-257	686	2.0	Silver	Orange
SS-B-257-200	725	2.0	Silver	Orange/ Blue
SS-B-257-201	845	2.0	Silver	Orange/ Black
SS-B-256-203	960	2.0	Silver	Red / Green
SS-B-256-204	1174	2.0	Silver	Red / Gray
SS-B-257-204	1400	2.0	Silver	Orange / Gray
SS-B-254-205	1640	2.0	Silver	Purple/ White
SS-B-256-205	1890	2.0	Silver	Red/ White
SS-B-257-205	2116	2.0	Silver	Orange / White
SS-B-256-207	2292	2.0	Silver	Red /Yellow
SS-B-257-207	2518	2.0	Silver	Orange / Yellow