



SPRING MOUNTS (Type "Y-1-100" Series 1" Deflection)

Type "Y-1" series Spring Mounts with one inch deflection solve troublesome vibration problems. These mounts are preferred over most rubber mounts due to their higher static deflection. "Y-1" type spring mounts are designed for noise and vibration control applications in critical areas on concrete.



YE – 1 (Bolt Top)



YF – 1 (Flat Top)

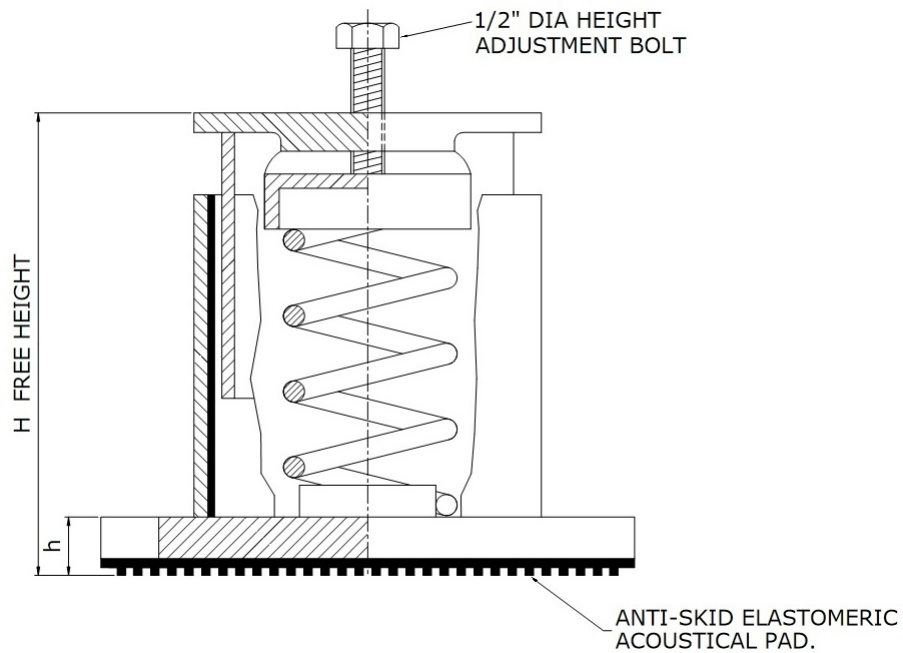
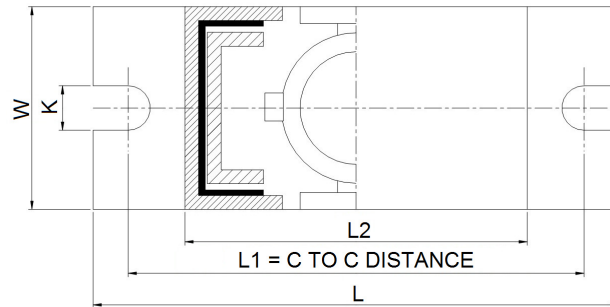


YP – 1 (Pin Top)



YN-1 (Neoprene Top)

Above products are standard in BLUE, but can also be available in red (custom order)



* Note that the above drawing is with YE-1 Setup

MODEL	ADJUSTMENT	DIMENSION IN INCHES						
		L	L1	L 2	W	K	H	h
YE-1 (BOLT TOP)	EXTERNAL	7-1/2	6-1/2	4-7/8	2-7/8	5/8	5-1/2	11/16
YP-1 (PIN TOP)	INTERNAL	7-1/2	6-1/2	4-7/8	2-7/8	5/8	5-7/8	11/16
YF-1 (FLAT TOP)	INTERNAL	7-1/2	6-1/2	4-7/8	2-7/8	5/8	5-7/8	11/16
YN-1 (NEOPRENE TOP)	INTERNAL	7-1/2	6-1/2	4-7/8	2-7/8	5/8	6-1/8	11/16



ANDRE HVAC International Inc

FEATURES:

The Y-1 features a three piece cast iron and powder coated housing for the spring. The mounts are provided with slotted mounting holes and a non-skid elastomeric acoustic pad on the base for bolting to the floor. Resilient elastomeric snubbers on the inner panel prevent metal to metal contact and allow the springs to function properly. These mounts have a built in leveling device (external or internal). These spring mounts can also be supplied with flat top or non-skid neoprene top in case of internal level adjustment. All springs are hot dip galvanized.

APPLICATION:

For air conditioning equipments, compressors, air handling units, centrifugal fans, pumps, chillers and similar applications.

NOTE:

Adjust mounting so that upper housing clears the lower housing by at least 1/4" but not more than 1/2".

x = (Model Types E, P, F or N see above)

ISOLATOR MODEL	RATED LOAD (LBS)	RATED DEFLECTION (INCH)	COLOR	
			MAIN	STRIPE
Yx-1-111	85	1.4	Silver	Pink
Yx-1-112	115	1.3	Silver	Black
Yx-1-113	170	1.3	Silver	Blue
Yx-1-114	225	1.3	Silver	Yellow
Yx-1-115	325	1.2	Silver	Brown
Yx-1-116	450	1.2	Silver	Red
Yx-1-117	600	1.2	Silver	Purple
Yx-1-118	750	1.1	Silver	Orange
Yx-1-119	900	1.0	Silver	Green
Yx-1-120	1100	0.8	Silver	Gray
Yx-1-121	1300	0.8	Silver	White
Yx-1-122	1500	1.0	Silver	Gold
Yx-1-111-123	761	1.0	Silver/Silver	Pink/NIL
Yx-1-112-123	789	1.0	Silver/Silver	Black/NIL
Yx-1-113-123	831	1.0	Silver/Silver	Blue/NIL
Yx-1-114-123	874	1.0	Silver/Silver	Yellow/NIL
Yx-1-115-123	971	1.0	Silver/Silver	Brown/NIL
Yx-1-116-123	1075	1.0	Silver/Silver	Red/NIL
Yx-1-117-123	1200	1.0	Silver/Silver	Purple/NIL
Yx-1-118-123	1382	1.0	Silver/Silver	Orange/NIL
Yx-1-119-123	1600	1.0	Silver/Silver	Green/NIL
Yx-1-120-123	1660	0.8	Silver/Silver	Gray/NIL
Yx-1-121-123	1860	0.8	Silver/Silver	White/NIL
Yx-1-122-123	2200	1.0	Silver/Silver	Gold/NIL