

oak10.xtra

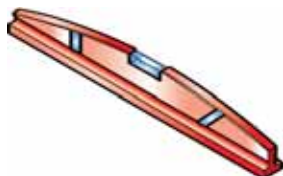
D. 63" (Ø 160 cm)



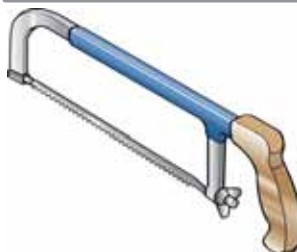
fontanot®
scale di ogni tempo



Copyright by Albini & Fontanot S.p.A., first publication 4 December 2013



2 mm ($5/64''$)
 2,5 mm ($3/32''$)
 3 mm ($1/8''$)
 5 mm ($13/64''$)
 12 mm ($15/32''$)



PH 2



13 mm ($33/64''$)
 30 mm ($1-3/16''$)

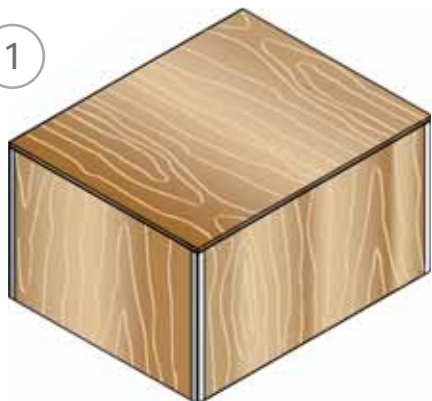
Ø 2,5 mm
 (D $3/32''$)
 Ø 3 mm
 (D $1/8''$)
 Ø 4,5 mm
 (D $11/64''$)



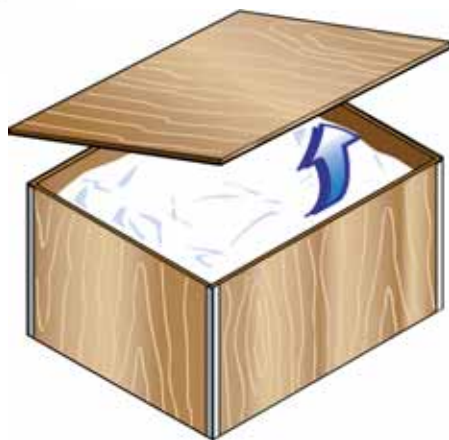
Ø 8 x 120 mm
 (D $5/16''$ x $4-23/32''$)
 Ø 12 x 120 mm
 (D $15/32''$ x $4-23/32''$)
 Ø 14 x 150 mm
 (D $35/64''$ x $5-29/32''$)



1



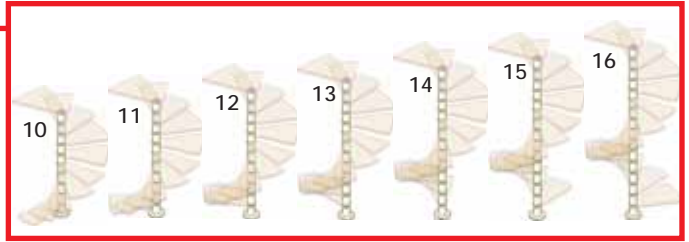
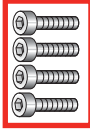
2



3



| | | | | | | |
|----|----|----|----|----|----|----|
| 10 | 11 | 12 | 13 | 14 | 15 | 16 |
| 1 | 1 | 2 | 2 | 4 | 5 | 6 |



A22

Ø 45 x 1200 mm
(D 1.49/64" x 47.1/4")

| | | | | | | |
|----|----|----|----|----|----|----|
| 10 | 11 | 12 | 13 | 14 | 15 | 16 |
| 4 | 4 | 5 | 5 | 6 | 6 | 6 |

A23

Ø 45 x 1200 mm
(D 1.49/64" x 47.1/4")

| | | | | | | |
|----|----|----|----|----|----|----|
| 10 | 11 | 12 | 13 | 14 | 15 | 16 |
| 1 | 1 | 1 | 1 | 1 | 1 | 1 |

A25

Ø 14 x 1200 mm
(D 35/64" x 47.1/4")

| | | | | | | |
|----|----|----|----|----|----|----|
| 10 | 11 | 12 | 13 | 14 | 15 | 16 |
| 8 | 8 | 8 | 8 | 8 | 8 | 8 |

A26

| | | | | | | |
|----|----|----|----|----|----|----|
| 10 | 11 | 12 | 13 | 14 | 15 | 16 |
| 8 | 8 | 8 | 8 | 8 | 8 | 8 |

A36

| | | | | | | |
|----|----|----|----|----|----|----|
| 10 | 11 | 12 | 13 | 14 | 15 | 16 |
| 2 | 2 | 2 | 2 | 2 | 2 | 2 |

A37

| | | | | | | |
|----|----|----|----|----|----|----|
| 10 | 11 | 12 | 13 | 14 | 15 | 16 |
| 3 | 3 | 3 | 3 | 3 | 3 | 3 |

B02

M6 x 6mm
(M 15/64" x 15/64")

| | | | | | | |
|----|----|----|----|----|----|----|
| 10 | 11 | 12 | 13 | 14 | 15 | 16 |
| 30 | 32 | 34 | 36 | 38 | 40 | 42 |

B03

M20 mm
(M 25/32")

| | | | | | | |
|----|----|----|----|----|----|----|
| 10 | 11 | 12 | 13 | 14 | 15 | 16 |
| 1 | 1 | 1 | 1 | 1 | 1 | 1 |

B04

20,4 x 40 x 2,5 mm
(13/16" x 1.37/64" x 3/32")

| | | | | | | |
|----|----|----|----|----|----|----|
| 10 | 11 | 12 | 13 | 14 | 15 | 16 |
| 1 | 1 | 1 | 1 | 1 | 1 | 1 |

B05

| | | | | | | |
|----|----|----|----|----|----|----|
| 10 | 11 | 12 | 13 | 14 | 15 | 16 |
| 1 | 1 | 1 | 1 | 1 | 1 | 1 |

B12

Ø 8 mm
(D 5/16")

| | | | | | | |
|----|----|----|----|----|----|----|
| 10 | 11 | 12 | 13 | 14 | 15 | 16 |
| 10 | 10 | 10 | 10 | 10 | 10 | 10 |

B13

M8 mm
(M 5/16")

| | | | | | | |
|----|----|----|----|----|----|----|
| 10 | 11 | 12 | 13 | 14 | 15 | 16 |
| 6 | 6 | 6 | 6 | 6 | 6 | 6 |

B17

M20 x 40 mm
(M^{25/32}" x 1-37/64")

| | | | | | | |
|----|----|----|----|----|----|----|
| 10 | 11 | 12 | 13 | 14 | 15 | 16 |
| 1 | 1 | 1 | 1 | 1 | 1 | 1 |

B23

M8 mm
(M^{5/16}"

| | | | | | | |
|----|----|----|----|----|----|----|
| 10 | 11 | 12 | 13 | 14 | 15 | 16 |
| 2 | 2 | 2 | 2 | 2 | 2 | 2 |

B27

8 x 17 x 1,5 mm
(5/16" x 43/64" x 1/16")

| | | | | | | |
|----|----|----|----|----|----|----|
| 10 | 11 | 12 | 13 | 14 | 15 | 16 |
| 2 | 2 | 2 | 2 | 2 | 2 | 2 |

B33

M14 x 43 mm
(M^{35/64}" x 1-11/16")

| | | | | | | |
|----|----|----|----|----|----|----|
| 10 | 11 | 12 | 13 | 14 | 15 | 16 |
| 4 | 4 | 5 | 5 | 6 | 6 | 6 |

B46

| | | | | | | |
|----|----|----|----|----|----|----|
| 10 | 11 | 12 | 13 | 14 | 15 | 16 |
| 2 | 2 | 2 | 2 | 2 | 2 | 2 |

B47

| | | | | | | |
|----|----|----|----|----|----|----|
| 10 | 11 | 12 | 13 | 14 | 15 | 16 |
| 1 | 1 | 1 | 1 | 2 | 2 | 2 |

B82

| | | | | | | |
|----|----|----|----|----|----|----|
| 10 | 11 | 12 | 13 | 14 | 15 | 16 |
| 9 | 10 | 11 | 12 | 13 | 14 | 15 |

B95

| | | | | | | |
|----|----|----|----|----|----|----|
| 10 | 11 | 12 | 13 | 14 | 15 | 16 |
| 3 | 3 | 3 | 3 | 3 | 3 | 3 |

BB5

M4,5 x 40 mm
(M^{11/64}" x 1-37/64")

| | | | | | | |
|----|----|----|----|----|----|----|
| 10 | 11 | 12 | 13 | 14 | 15 | 16 |
| 57 | 63 | 69 | 75 | 81 | 87 | 93 |

BB6

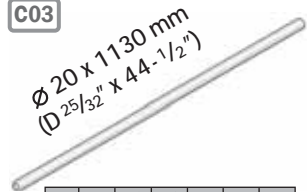
M4 x 8 mm
(M^{5/32}" x 5/16")

| | | | | | | |
|-----|-----|-----|-----|-----|-----|-----|
| 10 | 11 | 12 | 13 | 14 | 15 | 16 |
| 128 | 136 | 144 | 152 | 160 | 168 | 176 |

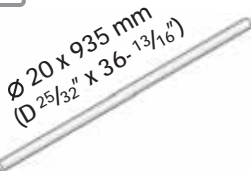
BB7

M4 x 6 mm
(M^{5/32}" x 15/64")

| | | | | | | |
|-----|-----|-----|-----|-----|-----|-----|
| 10 | 11 | 12 | 13 | 14 | 15 | 16 |
| 256 | 272 | 288 | 304 | 320 | 336 | 352 |

C03

| | | | | | | |
|----|----|----|----|----|----|----|
| 10 | 11 | 12 | 13 | 14 | 15 | 16 |
| 10 | 11 | 12 | 13 | 14 | 15 | 16 |

C03

| | | | | | | |
|----|----|----|----|----|----|----|
| 10 | 11 | 12 | 13 | 14 | 15 | 16 |
| 6 | 6 | 6 | 6 | 6 | 6 | 6 |

C04

| | | | | | | |
|----|----|----|----|----|----|----|
| 10 | 11 | 12 | 13 | 14 | 15 | 16 |
| 1 | 1 | 1 | 1 | 1 | 1 | 1 |

C49

M6 mm
(M^{15/64}"

| | | | | | | |
|----|----|----|----|----|----|----|
| 10 | 11 | 12 | 13 | 14 | 15 | 16 |
| 3 | 3 | 3 | 3 | 3 | 3 | 3 |

C50

M6 x 25 mm
(M 1⁵/₆₄" x 6³/₆₄")

| | | | | | | |
|----|----|----|----|----|----|----|
| 10 | 11 | 12 | 13 | 14 | 15 | 16 |
| 3 | 3 | 3 | 3 | 3 | 3 | 3 |

C58

M6,4 x 40 mm
(M 1¹/₄" x 1-³⁷/₆₄")

| | | | | | | |
|----|----|----|----|----|----|----|
| 10 | 11 | 12 | 13 | 14 | 15 | 16 |
| 22 | 22 | 22 | 22 | 22 | 22 | 22 |

C63

| | | | | | | |
|----|----|----|----|----|----|----|
| 10 | 11 | 12 | 13 | 14 | 15 | 16 |
| 16 | 17 | 18 | 19 | 20 | 21 | 22 |

C64

M3,5 x 38 mm
(M 9⁹/₆₄" x 1-¹/₂")

| | | | | | | |
|----|----|----|----|----|----|----|
| 10 | 11 | 12 | 13 | 14 | 15 | 16 |
| 38 | 40 | 42 | 44 | 46 | 48 | 50 |

C65

M4 mm
(M 5⁵/₃₂")

| | | | | | | |
|----|----|----|----|----|----|----|
| 10 | 11 | 12 | 13 | 14 | 15 | 16 |
| 16 | 17 | 18 | 19 | 20 | 21 | 22 |

C66

M4 x 14 mm
(M 5⁵/₃₂" x 3⁵/₆₄")

| | | | | | | |
|----|----|----|----|----|----|----|
| 10 | 11 | 12 | 13 | 14 | 15 | 16 |
| 16 | 17 | 18 | 19 | 20 | 21 | 22 |

C84

M8 x 80 mm
(M 5⁵/₁₆" x 3-⁵/₃₂")

| | | | | | | |
|----|----|----|----|----|----|----|
| 10 | 11 | 12 | 13 | 14 | 15 | 16 |
| 2 | 2 | 2 | 2 | 2 | 2 | 2 |

C85

∅ 12 mm
(D 1⁵/₃₂")

| | | | | | | |
|----|----|----|----|----|----|----|
| 10 | 11 | 12 | 13 | 14 | 15 | 16 |
| 2 | 2 | 2 | 2 | 2 | 2 | 2 |

CA3

| | | | | | | |
|----|----|----|----|----|----|----|
| 10 | 11 | 12 | 13 | 14 | 15 | 16 |
| 48 | 48 | 48 | 48 | 48 | 48 | 48 |

D01

| | | | | | | |
|----|----|----|----|----|----|----|
| 10 | 11 | 12 | 13 | 14 | 15 | 16 |
| 3 | 3 | 4 | 3 | 3 | 3 | 3 |

D45

| | | | | | | |
|-----|-----|-----|-----|-----|-----|-----|
| 10 | 11 | 12 | 13 | 14 | 15 | 16 |
| 100 | 110 | 120 | 130 | 140 | 150 | 160 |

D46

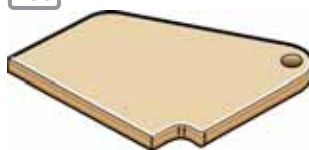
| | | | | | | |
|----|----|----|----|----|----|----|
| 10 | 11 | 12 | 13 | 14 | 15 | 16 |
| 1 | 1 | 1 | 1 | 1 | 1 | 1 |

D47

| | | | | | | |
|----|----|----|----|----|----|----|
| 10 | 11 | 12 | 13 | 14 | 15 | 16 |
| 10 | 11 | 12 | 13 | 14 | 15 | 16 |

D72

| | | | | | | |
|----|----|----|----|----|----|----|
| 10 | 11 | 12 | 13 | 14 | 15 | 16 |
| 4 | 4 | 5 | 5 | 6 | 6 | 6 |

E06

| | | | | | | |
|----|----|----|----|----|----|----|
| 10 | 11 | 12 | 13 | 14 | 15 | 16 |
| 1 | 1 | 1 | 1 | 1 | 1 | 1 |

F01

| | | | | | | |
|----|----|----|----|----|----|----|
| 10 | 11 | 12 | 13 | 14 | 15 | 16 |
| 7 | 7 | 7 | 7 | 7 | 7 | 7 |

F07

| | | | | | | |
|----|----|----|----|----|----|----|
| 10 | 11 | 12 | 13 | 14 | 15 | 16 |
| 1 | 1 | 1 | 1 | 1 | 1 | 1 |

F08

| | | | | | | |
|----|----|----|----|----|----|----|
| 10 | 11 | 12 | 13 | 14 | 15 | 16 |
| 3 | 3 | 3 | 3 | 3 | 3 | 3 |

F09

| | | | | | | |
|----|----|----|----|----|----|----|
| 10 | 11 | 12 | 13 | 14 | 15 | 16 |
| 3 | 3 | 3 | 3 | 3 | 3 | 3 |

F12

| | | | | | | |
|----|----|----|----|----|----|----|
| 10 | 11 | 12 | 13 | 14 | 15 | 16 |
| 3 | 3 | 3 | 3 | 3 | 3 | 3 |

F46

| | | | | | | |
|-----|-----|-----|-----|-----|-----|-----|
| 10 | 11 | 12 | 13 | 14 | 15 | 16 |
| 128 | 136 | 144 | 152 | 160 | 168 | 176 |

F47

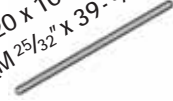
| | | | | | | |
|-----|-----|-----|-----|-----|-----|-----|
| 10 | 11 | 12 | 13 | 14 | 15 | 16 |
| 128 | 136 | 144 | 152 | 160 | 168 | 176 |

F48

| | | | | | | |
|----|----|----|----|----|----|----|
| 10 | 11 | 12 | 13 | 14 | 15 | 16 |
| 19 | 21 | 23 | 25 | 27 | 29 | 31 |

G01

M20 x 1000 mm
(M 25/32" x 39-3/8")



| | | | | | | |
|----|----|----|----|----|----|----|
| 10 | 11 | 12 | 13 | 14 | 15 | 16 |
| 1 | 1 | 1 | 1 | 1 | 1 | 1 |

G02

Ø 60 x 1244 mm
(D 2-3/8" x 49")



| | | | | | | |
|----|----|----|----|----|----|----|
| 10 | 11 | 12 | 13 | 14 | 15 | 16 |
| 1 | 1 | 1 | 2 | 1 | 1 | 2 |

G02

Ø 60 x 820 mm
(D 2-3/8" x 32-5/16")



| | | | | | | |
|----|----|----|----|----|----|----|
| 10 | 11 | 12 | 13 | 14 | 15 | 16 |
| 1 | 1 | 1 | 0 | 2 | 2 | 1 |

G03

Ø 210 x 10 mm
(D 8-9/32" x 25/64")

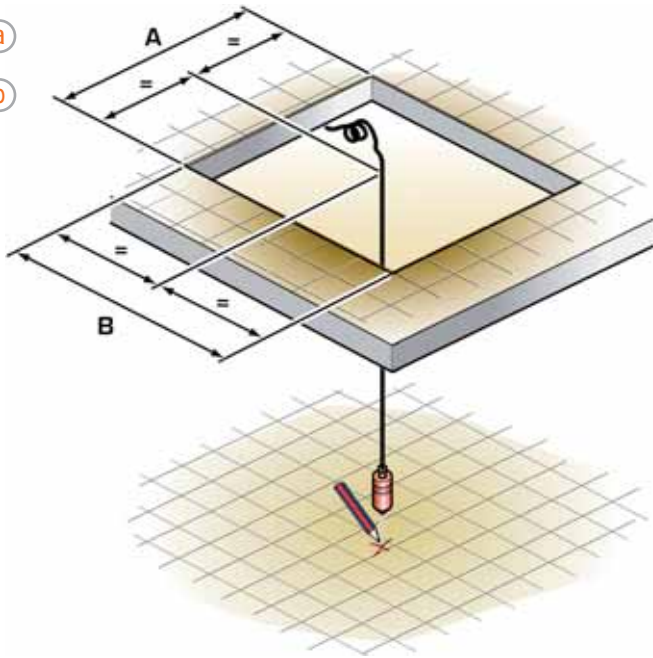
| | | | | | | |
|----|----|----|----|----|----|----|
| 10 | 11 | 12 | 13 | 14 | 15 | 16 |
| 1 | 1 | 1 | 1 | 1 | 1 | 1 |

L34

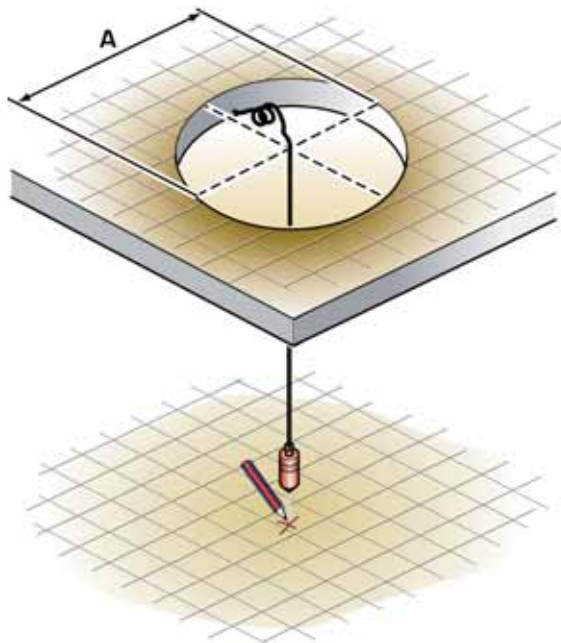
| | | | | | | |
|----|----|----|----|----|----|----|
| 10 | 11 | 12 | 13 | 14 | 15 | 16 |
| 9 | 10 | 11 | 12 | 13 | 14 | 15 |

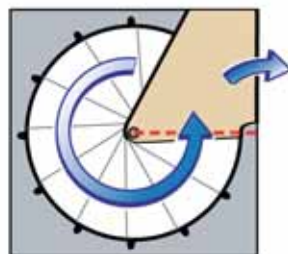
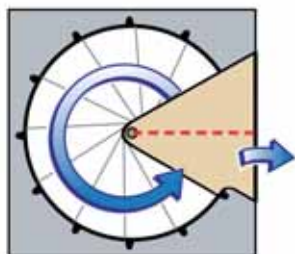
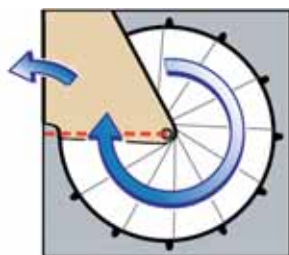
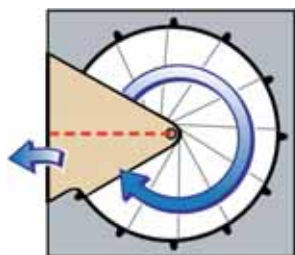
X01

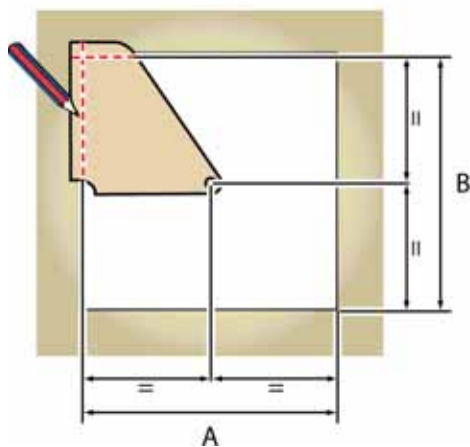
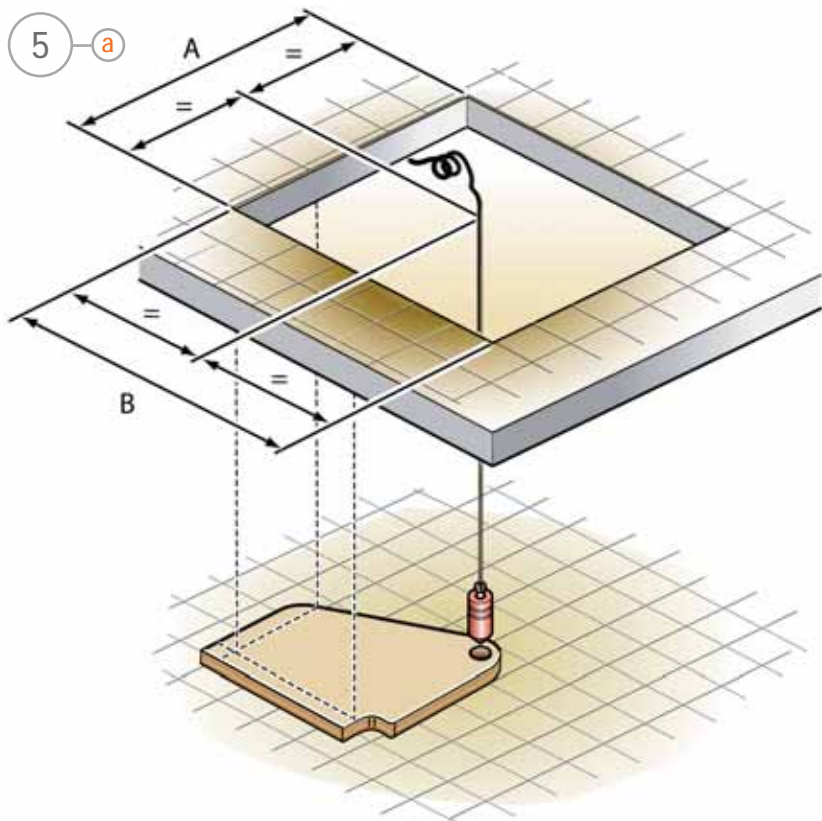
4 a
b



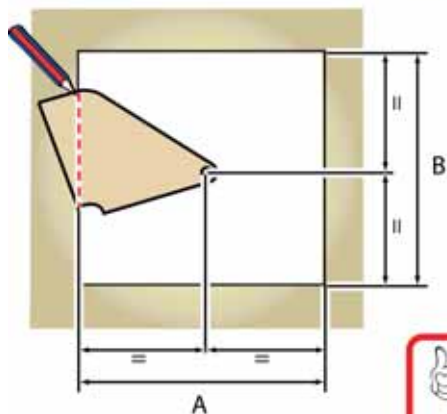
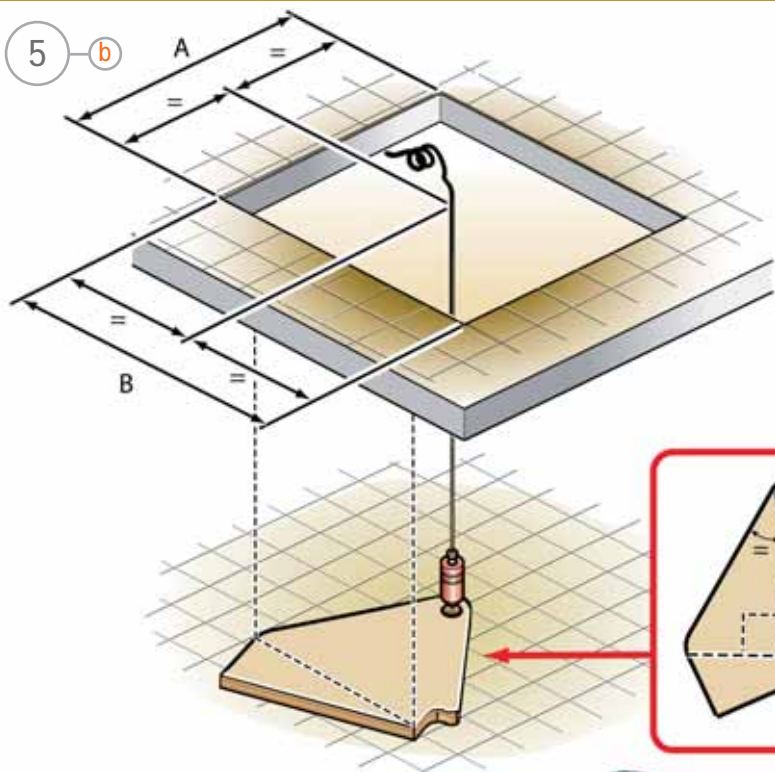
4 c



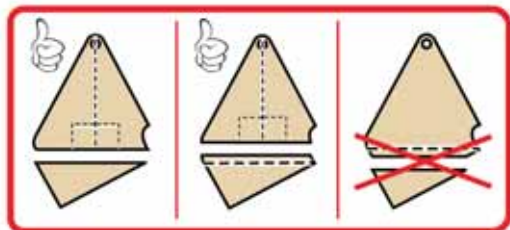
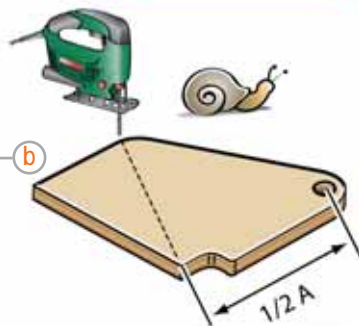




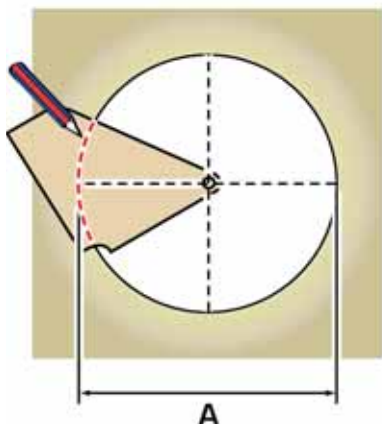
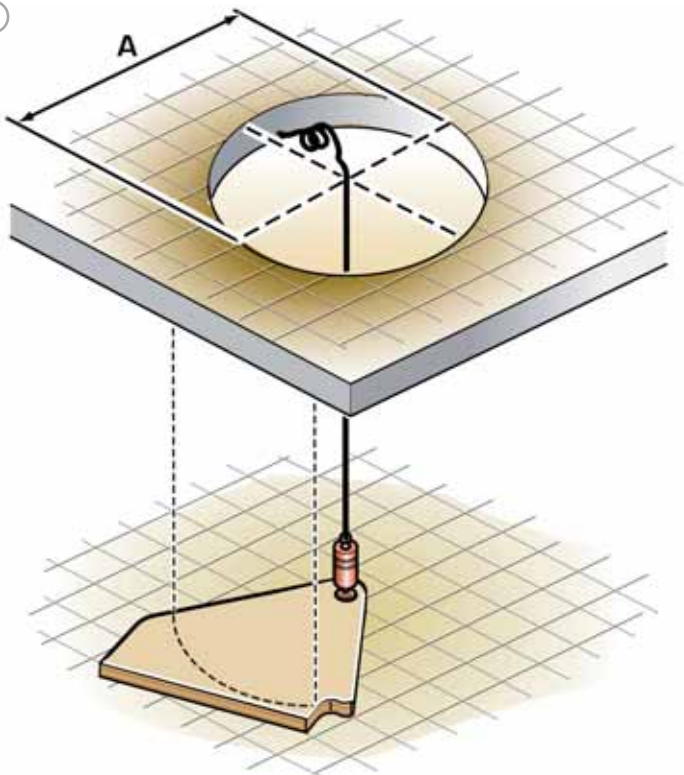
5 (b)



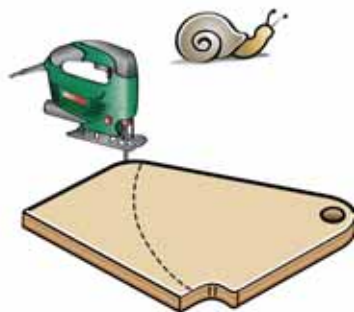
6 (b)

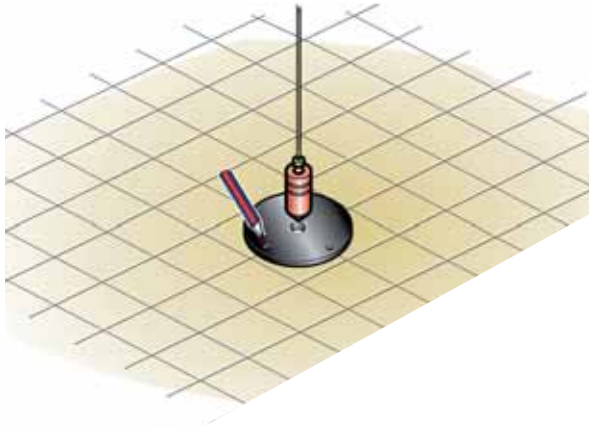


5 ^c

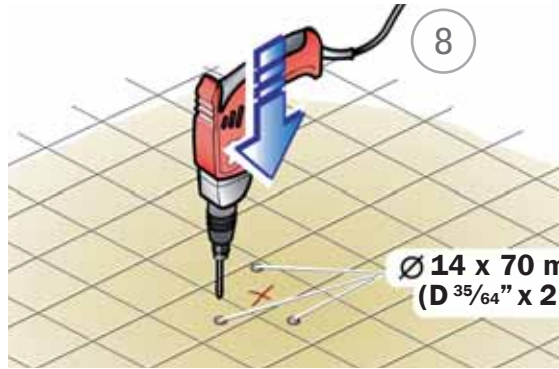


6 ^c





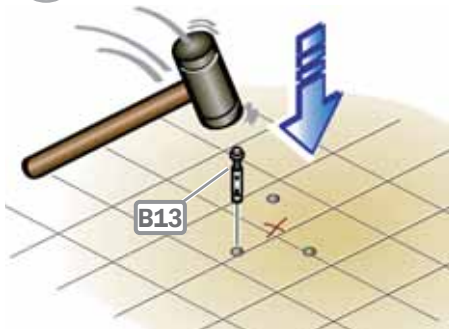
7



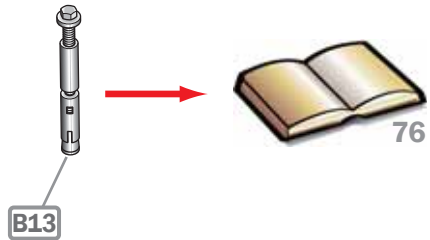
8

Ø 14 x 70 mm
(D ³⁵/₆₄" x 2-³/₄")

9



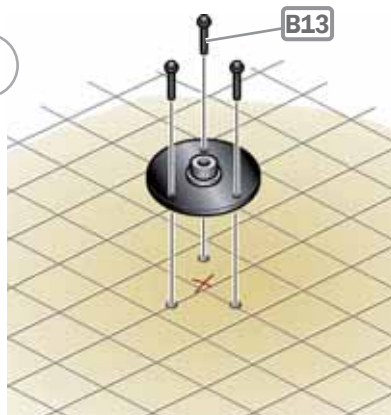
B13



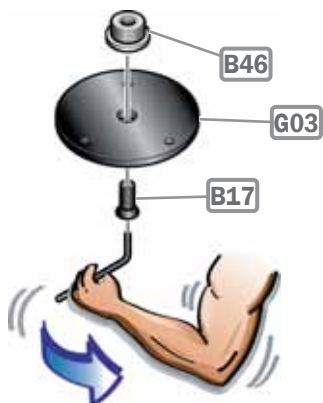
B13

76

11

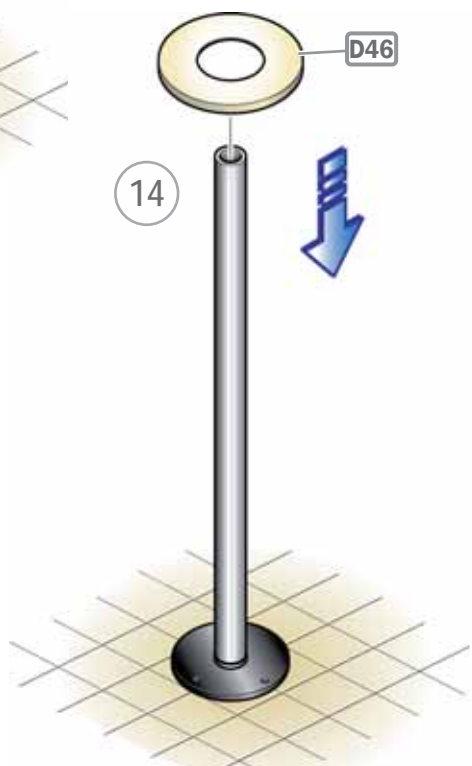
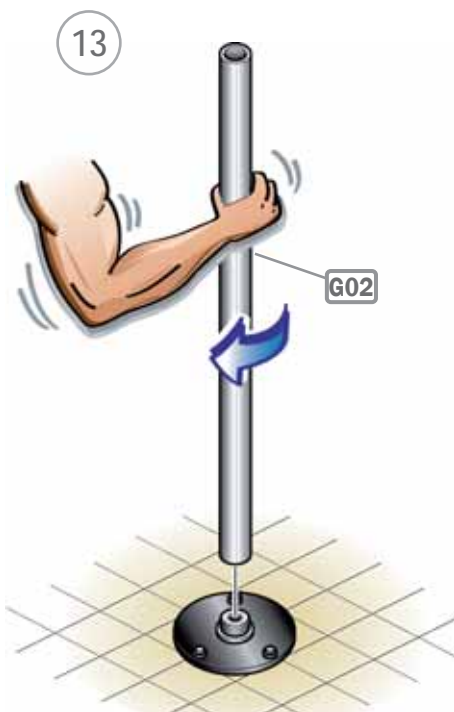


10



12



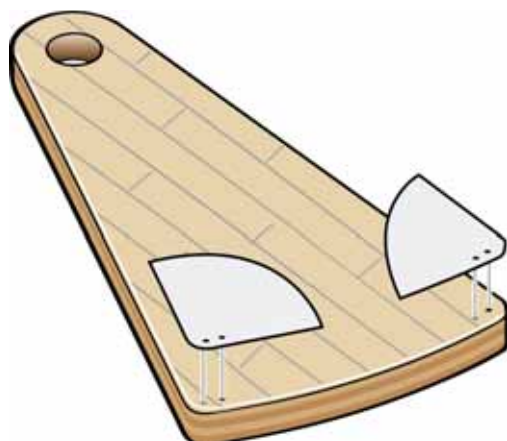
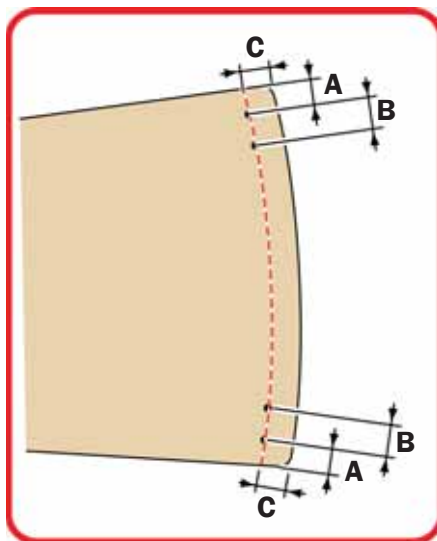




A = 23 mm ($\frac{29}{32}$ ")

B = 22 mm ($\frac{55}{64}$ ")

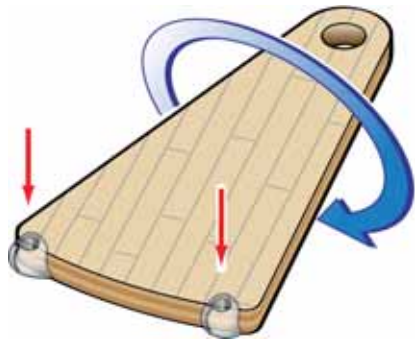
C = 22 mm ($\frac{55}{64}$ ")



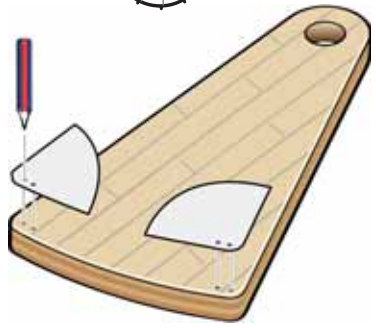
77



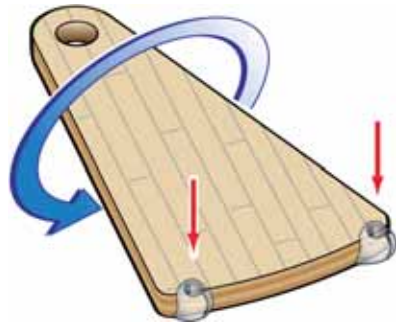
15



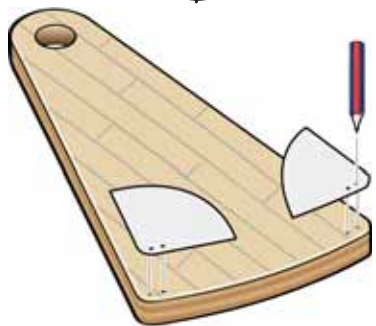
16

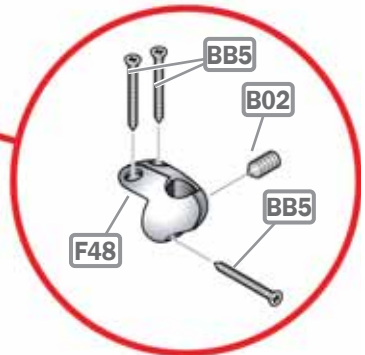
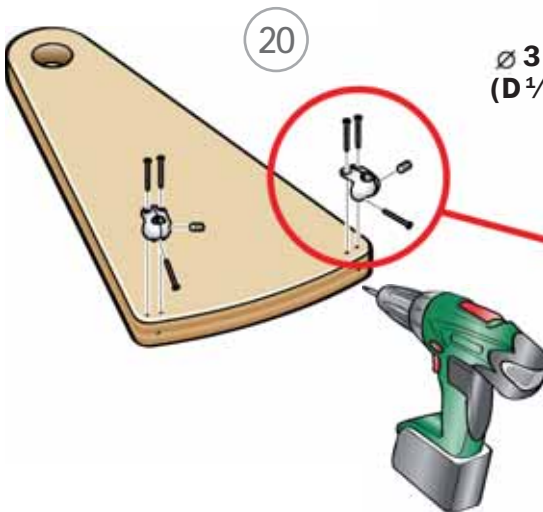
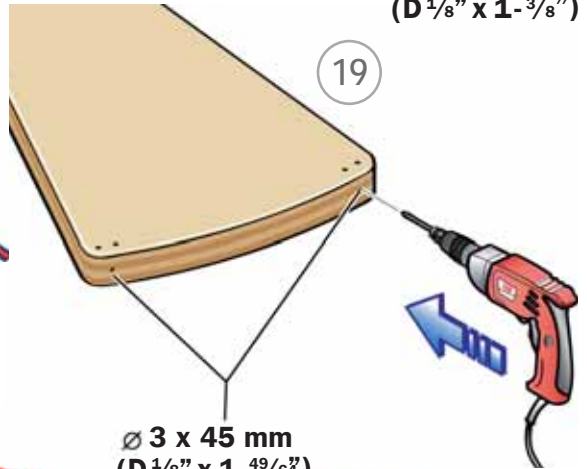
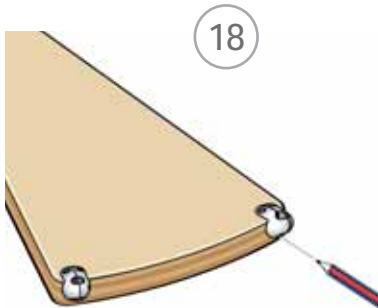
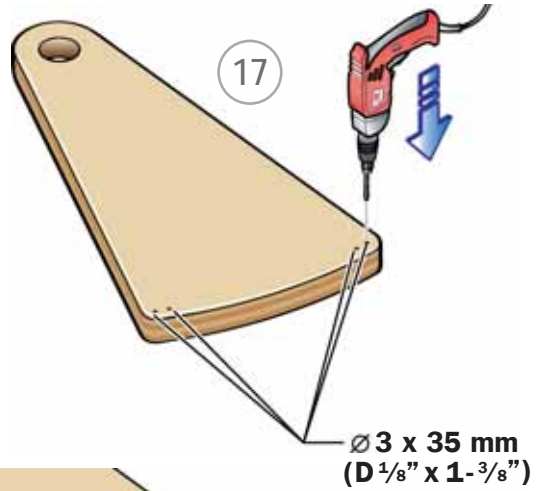
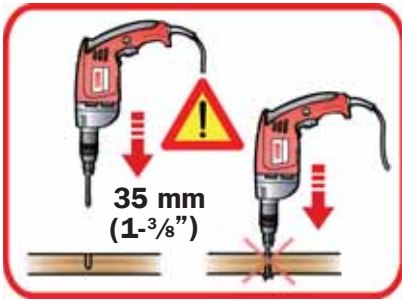


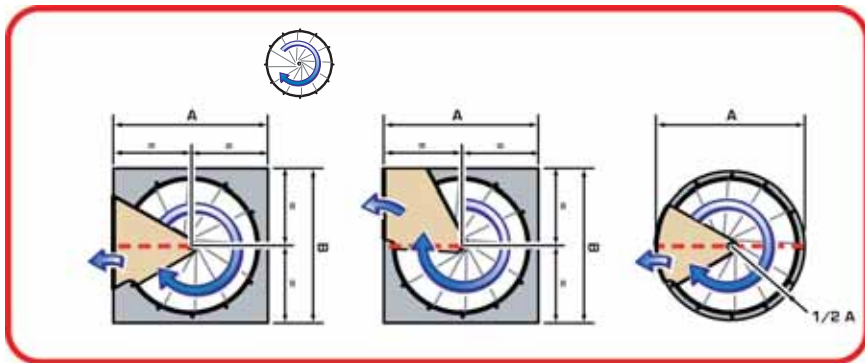
15



16







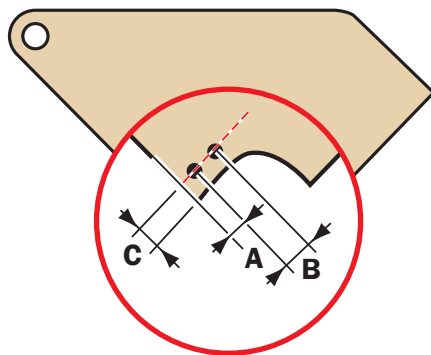
21



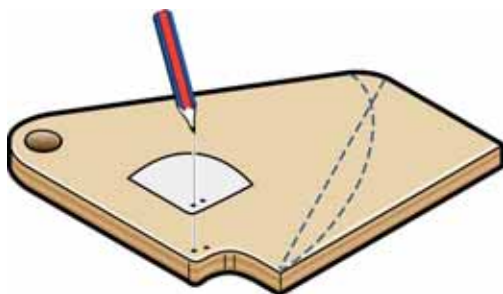
A = 23 mm ($\frac{29}{32}$ ")

B = 22 mm ($\frac{55}{64}$ ")

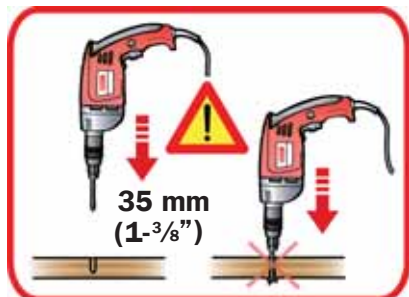
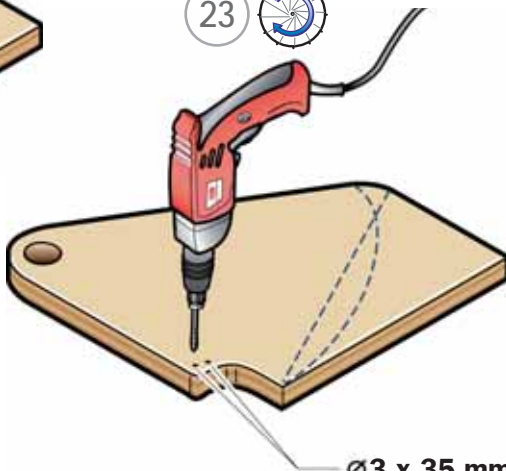
C = 22 mm ($\frac{55}{64}$ ")



22

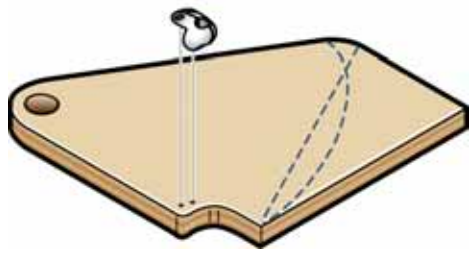


23

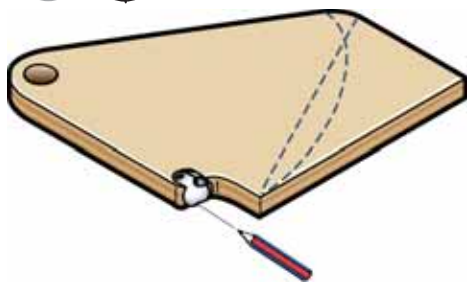


Ø3 x 35 mm
(D $\frac{1}{8}$ " x 1- $\frac{3}{8}$ ")

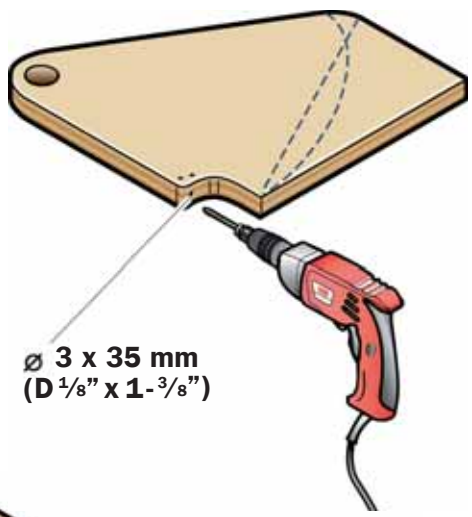
24



25

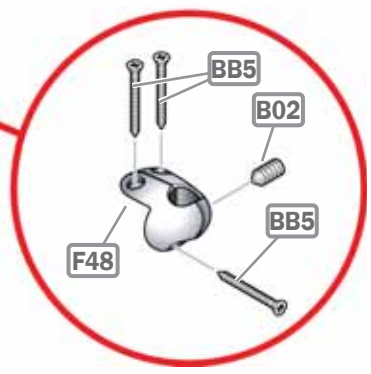


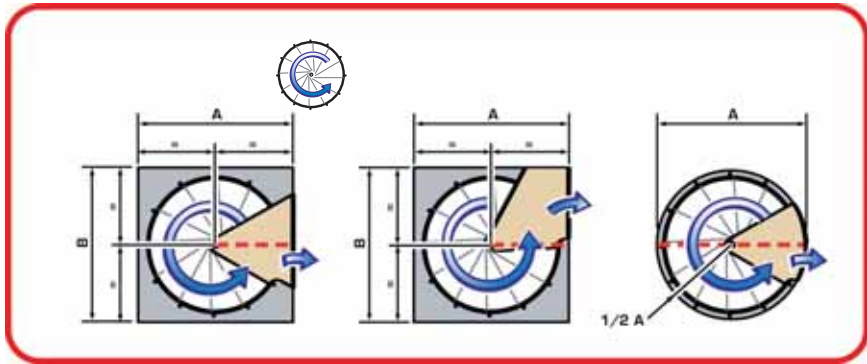
26



Ø 3 x 35 mm
(D 1/8" x L 3/8")

27

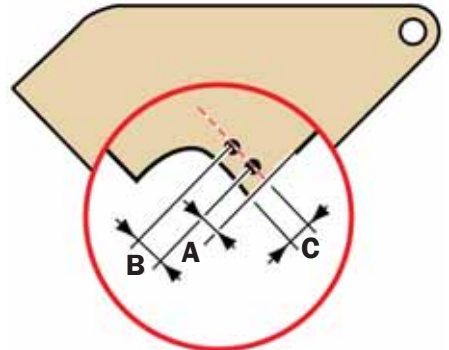




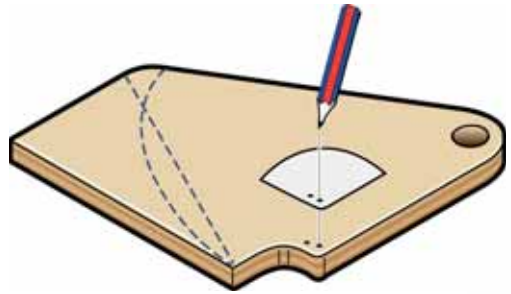
21



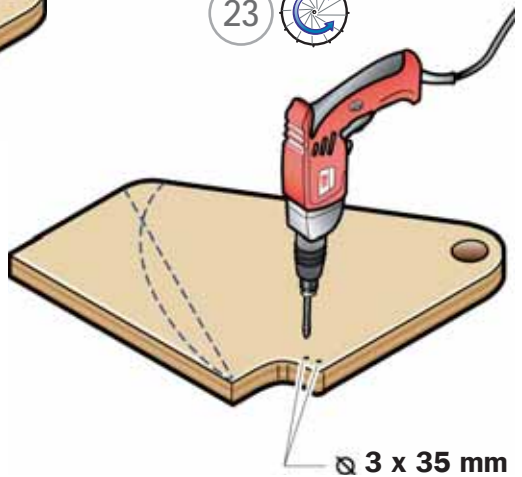
A = 23 mm ($29/32''$)
B = 22 mm ($55/64''$)
C = 22 mm ($55/64''$)



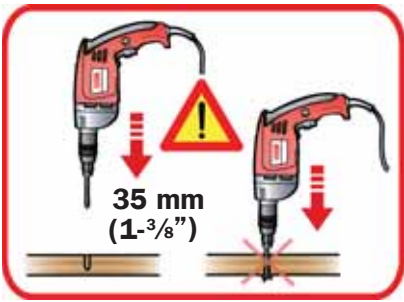
22



23

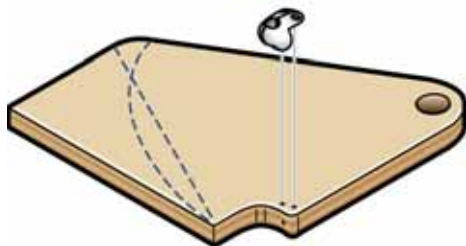


Ø 3 x 35 mm
(D $1/8''$ x 1- $3/8''$)



35 mm
(1- $3/8''$)

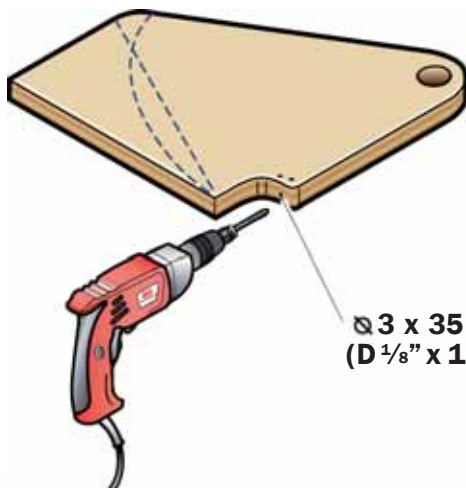
24



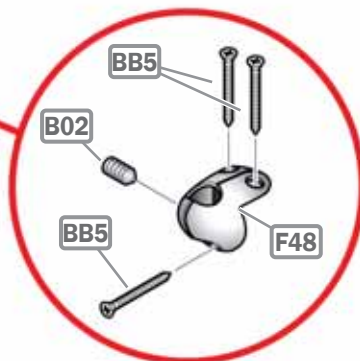
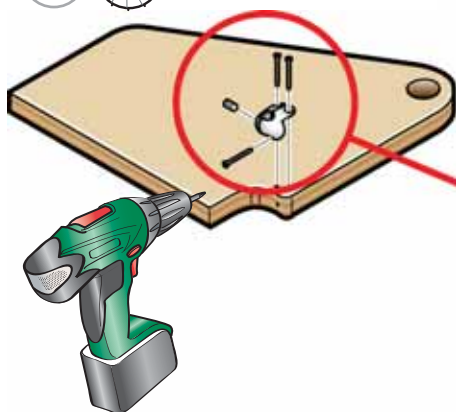
25

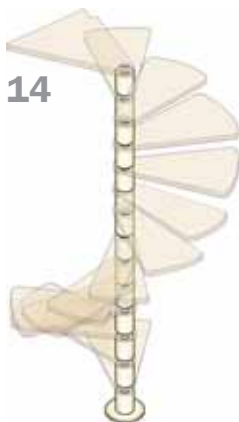
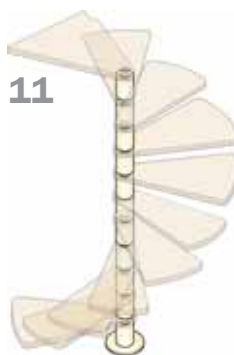
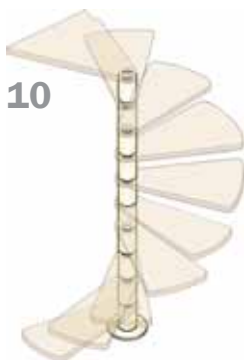


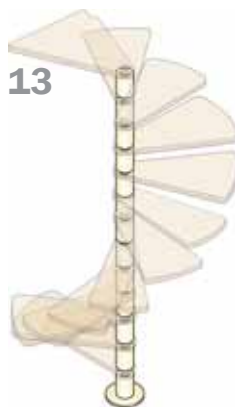
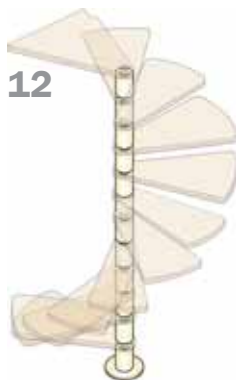
26



27







30-31



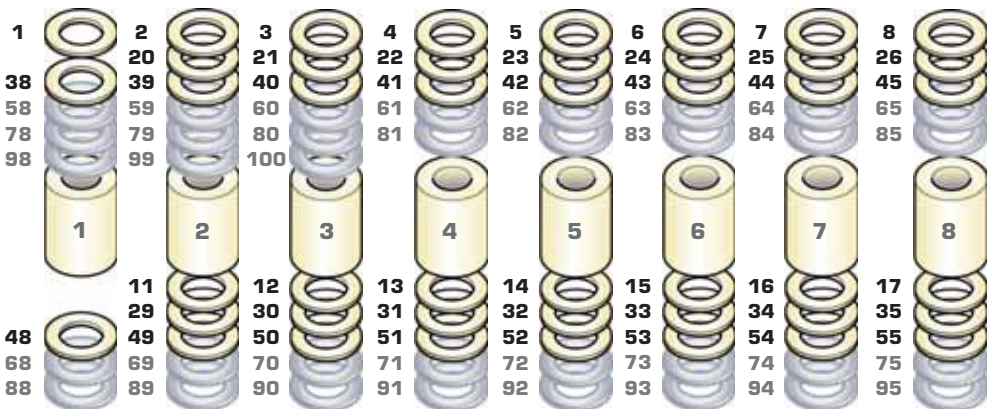
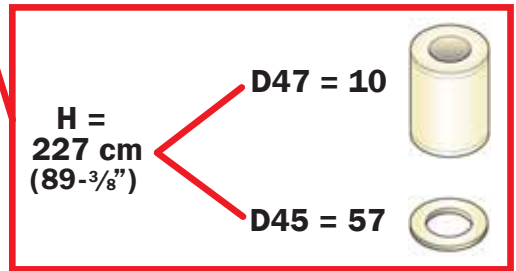
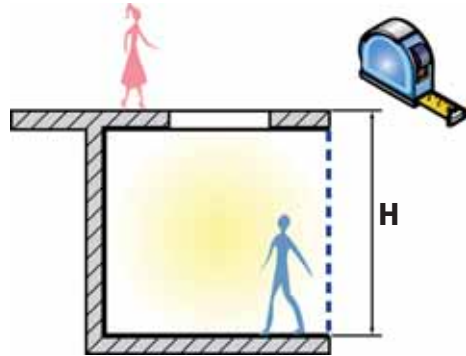
32-33

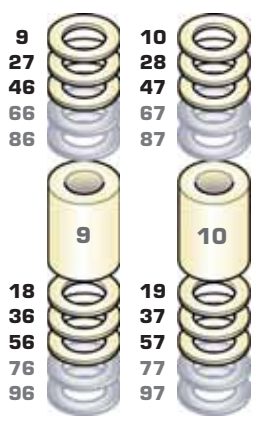
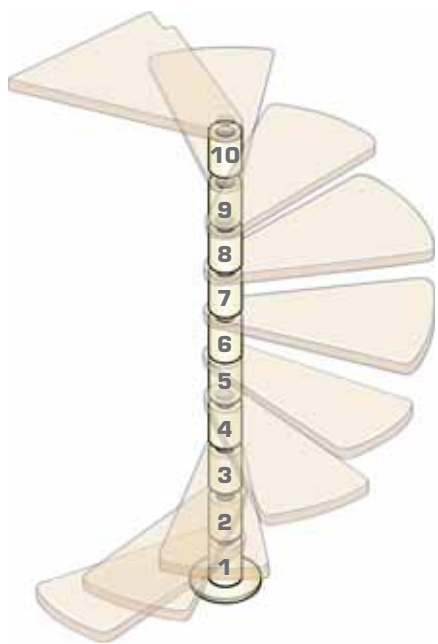
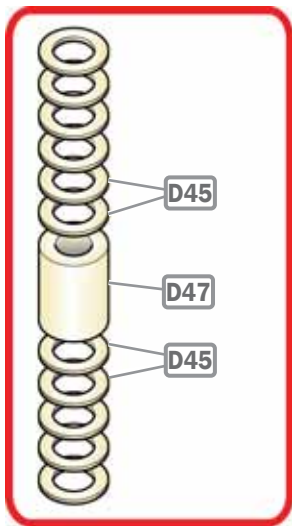


38-39

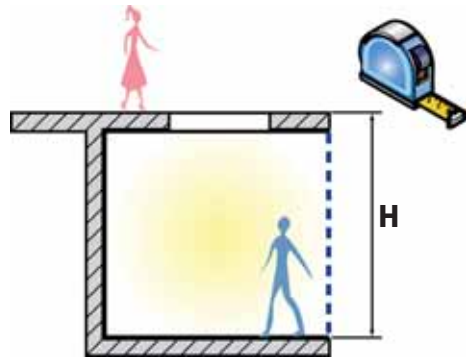


| H cm | H inch | D47 | D45 |
|------|----------|-----|-----|
| 210 | 82 11/16 | 10 | 0 |
| 211 | 83 1/16 | 10 | 3 |
| 212 | 83 7/16 | 10 | 7 |
| 213 | 83 7/8 | 10 | 10 |
| 214 | 84 1/4 | 10 | 13 |
| 215 | 84 5/8 | 10 | 17 |
| 216 | 85 1/16 | 10 | 20 |
| 217 | 85 7/16 | 10 | 23 |
| 218 | 85 13/16 | 10 | 27 |
| 219 | 86 3/16 | 10 | 30 |
| 220 | 86 5/8 | 10 | 33 |
| 221 | 87 | 10 | 37 |
| 222 | 87 3/8 | 10 | 40 |
| 223 | 87 13/16 | 10 | 43 |
| 224 | 88 3/16 | 10 | 47 |
| 225 | 88 9/16 | 10 | 50 |
| 226 | 89 | 10 | 53 |
| 227 | 89 3/8 | 10 | 57 |
| 228 | 89 3/4 | 10 | 60 |
| 229 | 90 3/16 | 10 | 63 |
| 230 | 90 9/16 | 10 | 67 |
| 231 | 90 15/16 | 10 | 70 |
| 232 | 91 5/16 | 10 | 73 |
| 233 | 91 3/4 | 10 | 77 |
| 234 | 92 1/8 | 10 | 80 |
| 235 | 92 1/2 | 10 | 83 |
| 236 | 92 15/16 | 10 | 87 |
| 237 | 93 5/16 | 10 | 90 |
| 238 | 93 11/16 | 10 | 93 |
| 239 | 94 1/8 | 10 | 97 |
| 240 | 94 1/2 | 10 | 100 |







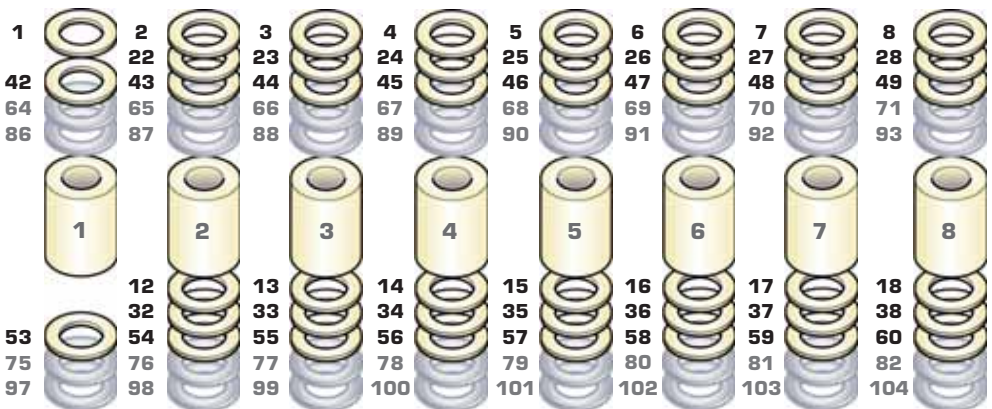
| H cm | H inch | D47 | D45 |
|------|-----------|-----|-----|
| 231 | 90 15/16 | 11 | 0 |
| 232 | 91 5/16 | 11 | 4 |
| 233 | 91 3/4 | 11 | 7 |
| 234 | 92 1/8 | 11 | 10 |
| 235 | 92 1/2 | 11 | 14 |
| 236 | 92 15/16 | 11 | 17 |
| 237 | 93 5/16 | 11 | 20 |
| 238 | 93 11/16 | 11 | 24 |
| 239 | 94 1/8 | 11 | 27 |
| 240 | 94 1/2 | 11 | 30 |
| 241 | 94 7/8 | 11 | 34 |
| 242 | 95 1/4 | 11 | 37 |
| 243 | 95 11/16 | 11 | 40 |
| 244 | 96 1/16 | 11 | 44 |
| 245 | 96 7/16 | 11 | 47 |
| 246 | 96 7/8 | 11 | 50 |
| 247 | 97 1/4 | 11 | 54 |
| 248 | 97 5/8 | 11 | 57 |
| 249 | 98 1/16 | 11 | 60 |
| 250 | 98 7/16 | 11 | 64 |
| 251 | 98 13/16 | 11 | 67 |
| 252 | 99 3/16 | 11 | 70 |
| 253 | 99 5/8 | 11 | 74 |
| 254 | 100 | 11 | 77 |
| 255 | 100 3/8 | 11 | 80 |
| 256 | 100 13/16 | 11 | 84 |
| 257 | 101 3/16 | 11 | 87 |
| 258 | 101 9/16 | 11 | 90 |
| 259 | 101 15/16 | 11 | 94 |
| 260 | 102 3/8 | 11 | 97 |
| 261 | 102 3/4 | 11 | 100 |
| 262 | 103 1/8 | 11 | 104 |
| 263 | 103 9/16 | 11 | 107 |

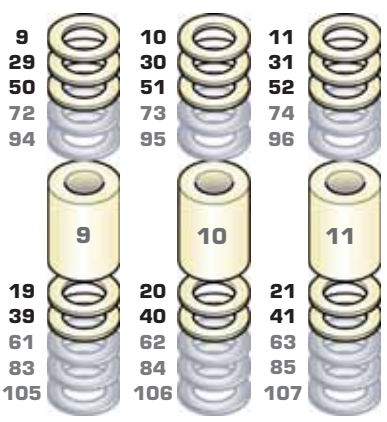
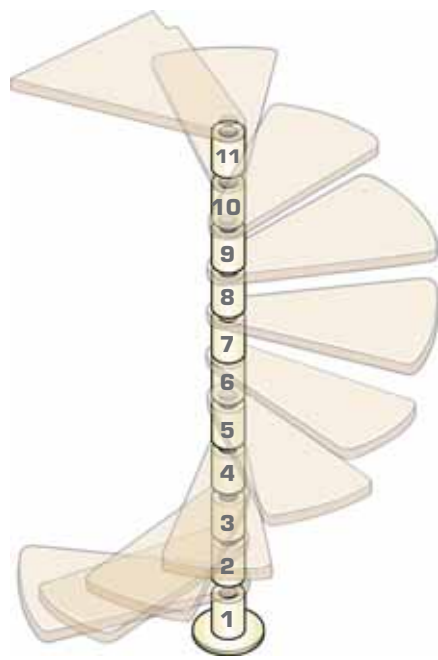
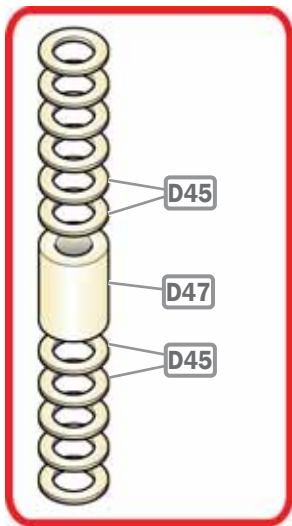


H = 249 cm (98-1/16")

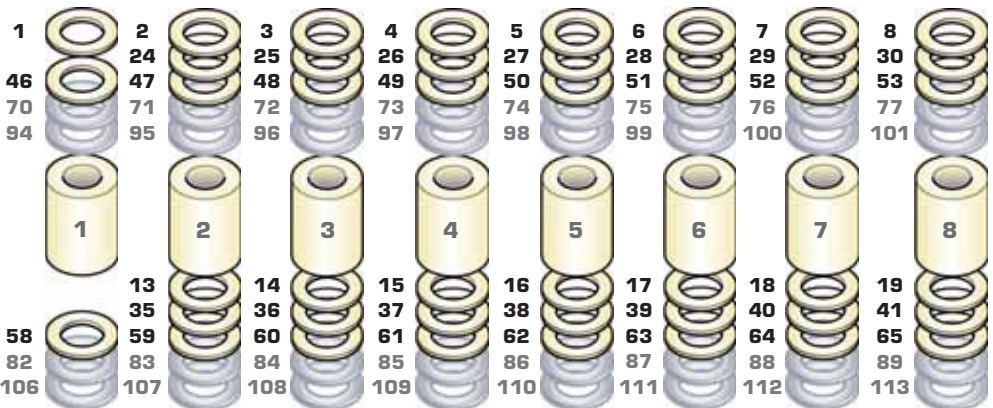
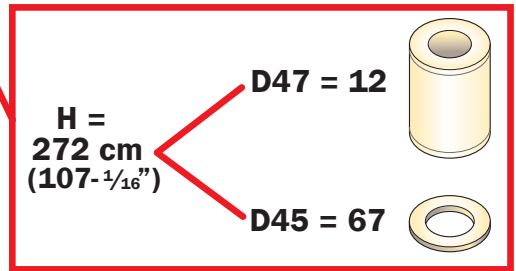
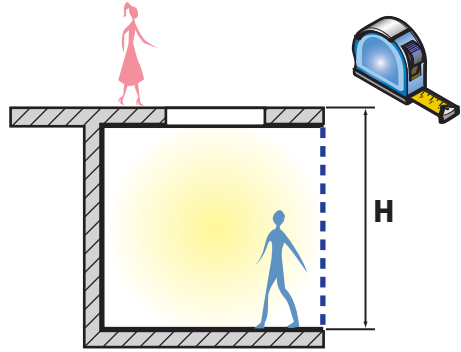
D47 = 11 

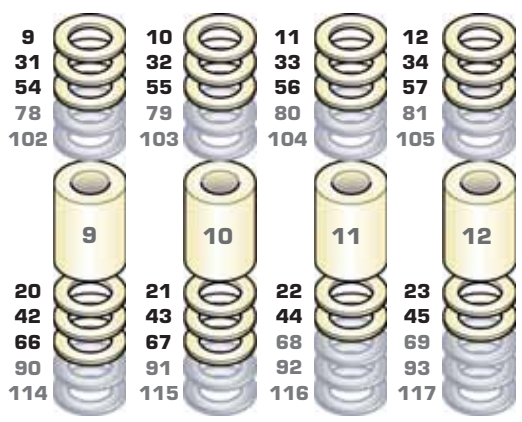
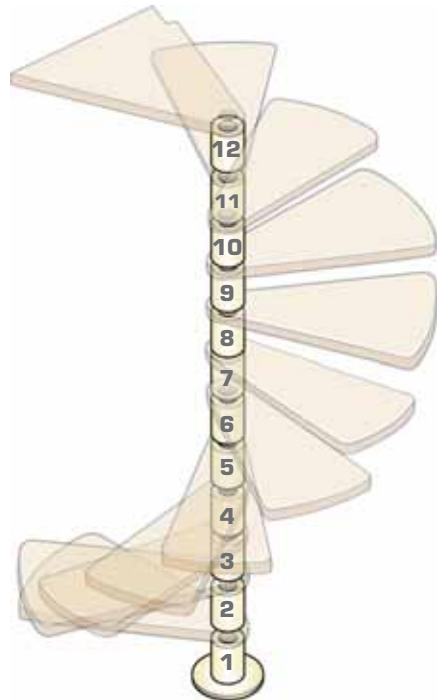
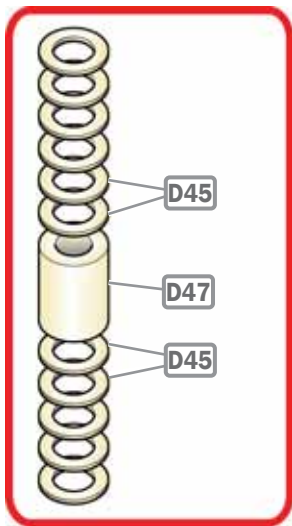
D45 = 60 



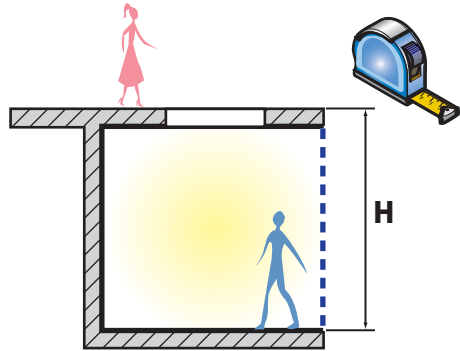


| H cm | H inch | D47 | D45 |
|------|-----------|-----|-----|
| 252 | 99 3/16 | 12 | 1 |
| 253 | 99 5/8 | 12 | 4 |
| 254 | 100 | 12 | 7 |
| 255 | 100 3/8 | 12 | 11 |
| 256 | 100 13/16 | 12 | 14 |
| 257 | 101 3/16 | 12 | 17 |
| 258 | 101 9/16 | 12 | 21 |
| 259 | 101 15/16 | 12 | 24 |
| 260 | 102 3/8 | 12 | 27 |
| 261 | 102 3/4 | 12 | 31 |
| 262 | 103 1/8 | 12 | 34 |
| 263 | 103 9/16 | 12 | 37 |
| 264 | 103 15/16 | 12 | 41 |
| 265 | 104 5/16 | 12 | 44 |
| 266 | 104 3/4 | 12 | 47 |
| 267 | 105 1/8 | 12 | 51 |
| 268 | 105 1/2 | 12 | 54 |
| 269 | 105 7/8 | 12 | 57 |
| 270 | 106 5/16 | 12 | 61 |
| 271 | 106 11/16 | 12 | 64 |
| 272 | 107 1/16 | 12 | 67 |
| 273 | 107 1/2 | 12 | 71 |
| 274 | 107 7/8 | 12 | 74 |
| 275 | 108 1/4 | 12 | 77 |
| 276 | 108 11/16 | 12 | 81 |
| 277 | 109 1/16 | 12 | 84 |
| 278 | 109 7/16 | 12 | 87 |
| 279 | 109 13/16 | 12 | 91 |
| 280 | 110 1/4 | 12 | 94 |
| 281 | 110 5/8 | 12 | 97 |
| 282 | 111 | 12 | 101 |
| 283 | 111 7/16 | 12 | 104 |
| 284 | 111 13/16 | 12 | 107 |
| 285 | 112 3/16 | 12 | 111 |
| 286 | 112 5/8 | 12 | 114 |
| 287 | 113 | 12 | 117 |

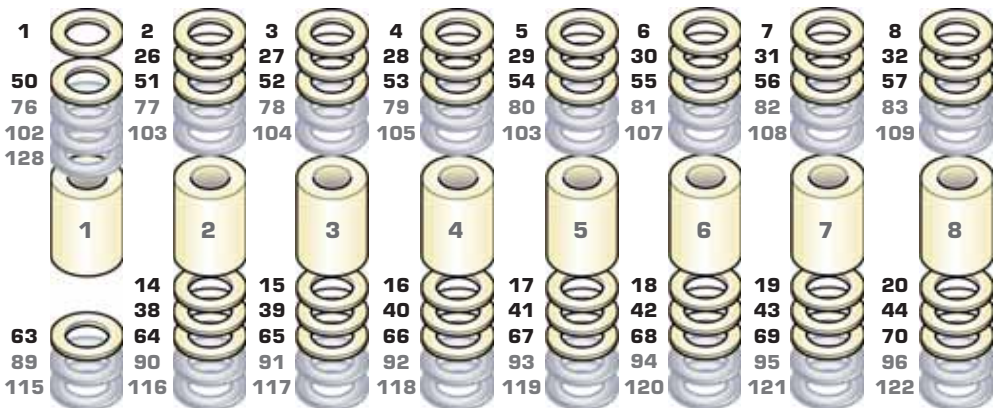


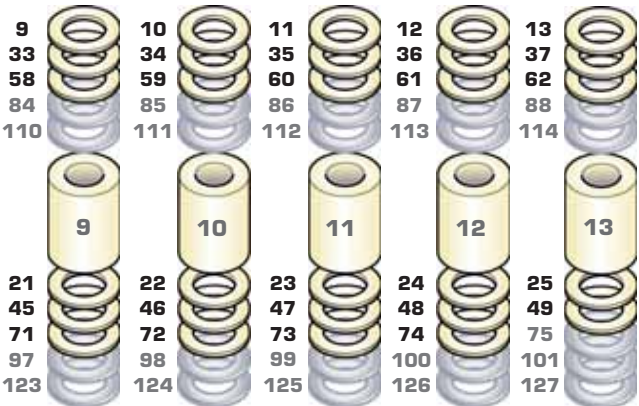
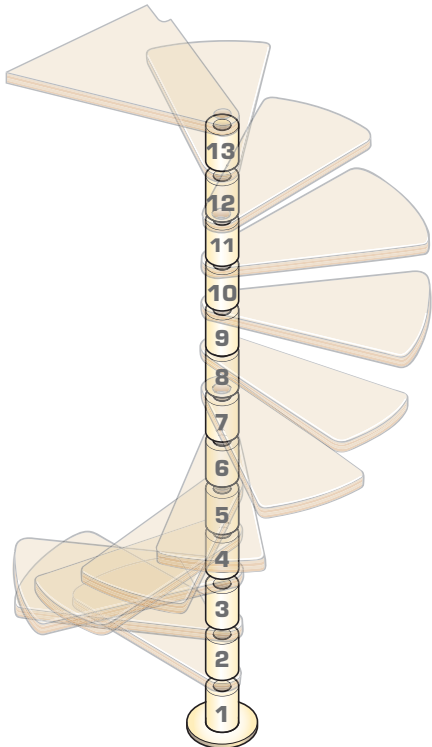
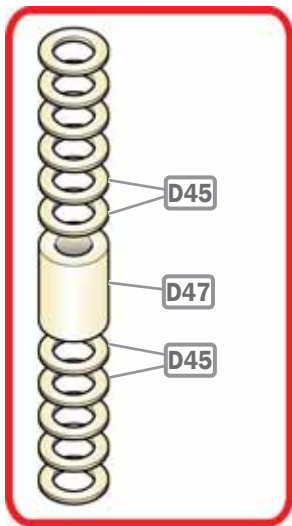


| H cm | H inch | D47 | D45 |
|------|-----------|-----|-----|
| 273 | 107 1/2 | 13 | 1 |
| 274 | 107 7/8 | 13 | 4 |
| 275 | 108 1/4 | 13 | 8 |
| 276 | 108 11/16 | 13 | 11 |
| 277 | 109 1/16 | 13 | 14 |
| 278 | 109 7/16 | 13 | 18 |
| 279 | 109 13/16 | 13 | 21 |
| 280 | 110 1/4 | 13 | 24 |
| 281 | 110 5/8 | 13 | 28 |
| 282 | 111 | 13 | 31 |
| 283 | 111 7/16 | 13 | 34 |
| 284 | 111 13/16 | 13 | 38 |
| 285 | 112 3/16 | 13 | 41 |
| 286 | 112 5/8 | 13 | 44 |
| 287 | 113 | 13 | 48 |
| 288 | 113 3/8 | 13 | 51 |
| 289 | 113 3/4 | 13 | 54 |
| 290 | 114 3/16 | 13 | 58 |
| 291 | 114 9/16 | 13 | 61 |
| 292 | 114 15/16 | 13 | 64 |
| 293 | 115 3/8 | 13 | 68 |
| 294 | 115 3/4 | 13 | 71 |
| 295 | 116 1/8 | 13 | 74 |
| 296 | 116 9/16 | 13 | 78 |
| 297 | 116 15/16 | 13 | 81 |
| 298 | 117 5/16 | 13 | 84 |
| 299 | 117 11/16 | 13 | 88 |
| 300 | 118 1/8 | 13 | 91 |
| 301 | 118 1/2 | 13 | 94 |
| 302 | 118 7/8 | 13 | 98 |
| 303 | 119 5/16 | 13 | 101 |
| 304 | 119 11/16 | 13 | 104 |
| 305 | 120 1/16 | 13 | 108 |
| 306 | 120 1/2 | 13 | 111 |
| 307 | 120 7/8 | 13 | 114 |
| 308 | 121 1/4 | 13 | 118 |
| 309 | 121 5/8 | 13 | 121 |
| 310 | 122 1/16 | 13 | 124 |
| 311 | 122 7/16 | 13 | 128 |

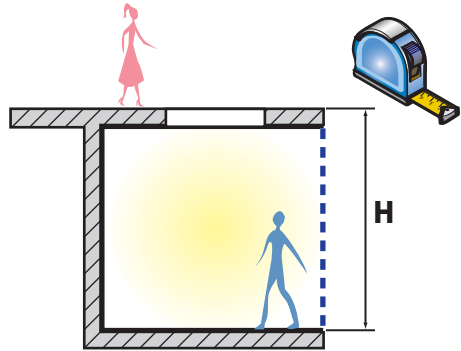


H = 295 cm (116 - 1/8")
D47 = 13
D45 = 74

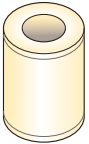





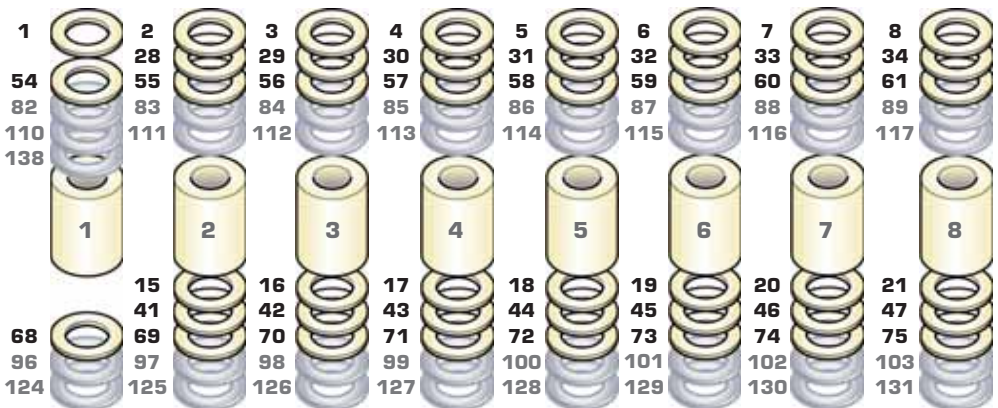
| H cm | H inch | D47 | D45 |
|------|-----------|-----|-----|
| 294 | 115 3/4 | 14 | 1 |
| 295 | 116 1/8 | 14 | 5 |
| 296 | 116 9/16 | 14 | 8 |
| 297 | 116 15/16 | 14 | 11 |
| 298 | 117 5/16 | 14 | 15 |
| 299 | 117 11/16 | 14 | 18 |
| 300 | 118 1/8 | 14 | 21 |
| 301 | 118 1/2 | 14 | 25 |
| 302 | 118 7/8 | 14 | 28 |
| 303 | 119 5/16 | 14 | 31 |
| 304 | 119 11/16 | 14 | 35 |
| 305 | 120 1/16 | 14 | 38 |
| 306 | 120 1/2 | 14 | 41 |
| 307 | 120 7/8 | 14 | 45 |
| 308 | 121 1/4 | 14 | 48 |
| 309 | 121 5/8 | 14 | 51 |
| 310 | 122 1/16 | 14 | 55 |
| 311 | 122 7/16 | 14 | 58 |
| 312 | 122 13/16 | 14 | 61 |
| 313 | 123 1/4 | 14 | 65 |
| 314 | 123 5/8 | 14 | 68 |
| 315 | 124 | 14 | 71 |
| 316 | 124 7/16 | 14 | 75 |
| 317 | 124 13/16 | 14 | 78 |
| 318 | 125 3/16 | 14 | 81 |
| 319 | 125 9/16 | 14 | 85 |
| 320 | 126 | 14 | 88 |
| 321 | 126 3/8 | 14 | 91 |
| 322 | 126 3/4 | 14 | 95 |
| 323 | 127 3/16 | 14 | 98 |
| 324 | 127 9/16 | 14 | 101 |
| 325 | 127 15/16 | 14 | 105 |
| 326 | 128 3/8 | 14 | 108 |
| 327 | 128 3/4 | 14 | 111 |
| 328 | 129 1/8 | 14 | 115 |
| 329 | 129 1/2 | 14 | 118 |
| 330 | 129 15/16 | 14 | 121 |
| 331 | 130 5/16 | 14 | 125 |
| 332 | 130 11/16 | 14 | 128 |
| 333 | 131 1/8 | 14 | 131 |
| 334 | 131 1/2 | 14 | 135 |
| 335 | 131 7/8 | 14 | 138 |

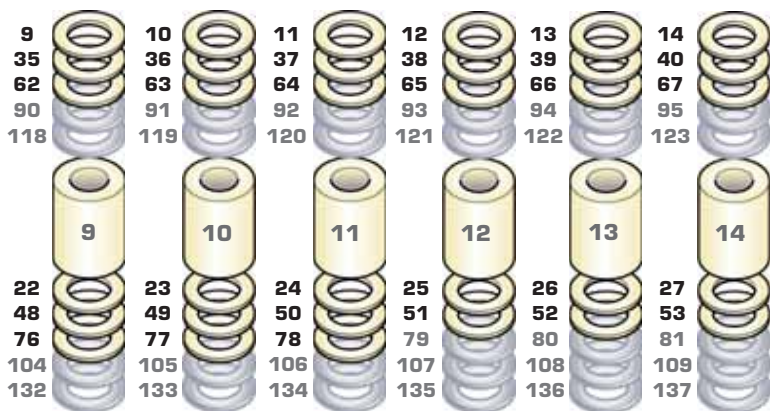
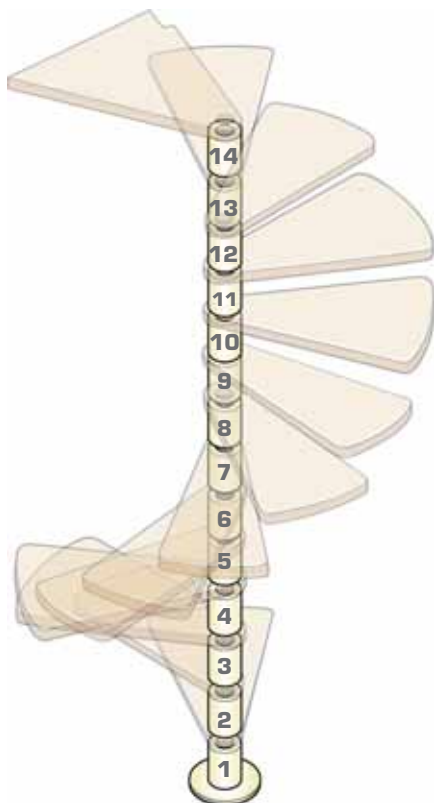
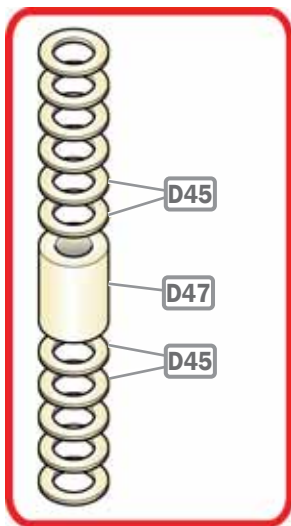


H = 317 cm
(124.13/16")

D47 = 14 

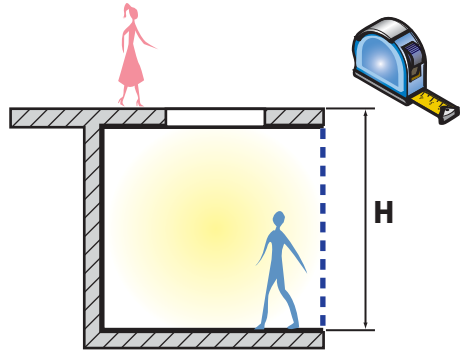
D45 = 78 



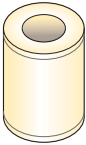



| H cm | H inch | D47 | D45 |
|------|-----------|-----|-----|
| 315 | 124 | 15 | 2 |
| 316 | 124 7/16 | 15 | 5 |
| 317 | 124 13/16 | 15 | 8 |
| 318 | 125 3/16 | 15 | 12 |
| 319 | 125 9/16 | 15 | 15 |
| 320 | 126 | 15 | 18 |
| 321 | 126 3/8 | 15 | 22 |
| 322 | 126 3/4 | 15 | 25 |
| 323 | 127 3/16 | 15 | 28 |
| 324 | 127 9/16 | 15 | 32 |
| 325 | 127 15/16 | 15 | 35 |
| 326 | 128 3/8 | 15 | 38 |
| 327 | 128 3/4 | 15 | 42 |
| 328 | 129 1/8 | 15 | 45 |
| 329 | 129 1/2 | 15 | 48 |
| 330 | 129 15/16 | 15 | 52 |
| 331 | 130 5/16 | 15 | 55 |
| 332 | 130 11/16 | 15 | 58 |
| 333 | 131 1/8 | 15 | 62 |
| 334 | 131 1/2 | 15 | 65 |
| 335 | 131 7/8 | 15 | 68 |
| 336 | 132 1/4 | 15 | 72 |
| 337 | 132 11/16 | 15 | 75 |
| 338 | 133 1/16 | 15 | 78 |
| 339 | 133 7/16 | 15 | 82 |
| 340 | 133 7/8 | 15 | 85 |
| 341 | 134 1/4 | 15 | 88 |
| 342 | 134 5/8 | 15 | 92 |
| 343 | 135 1/16 | 15 | 95 |
| 344 | 135 7/16 | 15 | 98 |
| 345 | 135 13/16 | 15 | 102 |
| 346 | 136 3/16 | 15 | 105 |
| 347 | 136 5/8 | 15 | 108 |
| 348 | 137 | 15 | 112 |
| 349 | 137 3/8 | 15 | 115 |
| 350 | 137 13/16 | 15 | 118 |
| 351 | 138 3/16 | 15 | 122 |
| 352 | 138 9/16 | 15 | 125 |
| 353 | 139 | 15 | 128 |
| 354 | 139 3/8 | 15 | 132 |
| 355 | 139 3/4 | 15 | 135 |

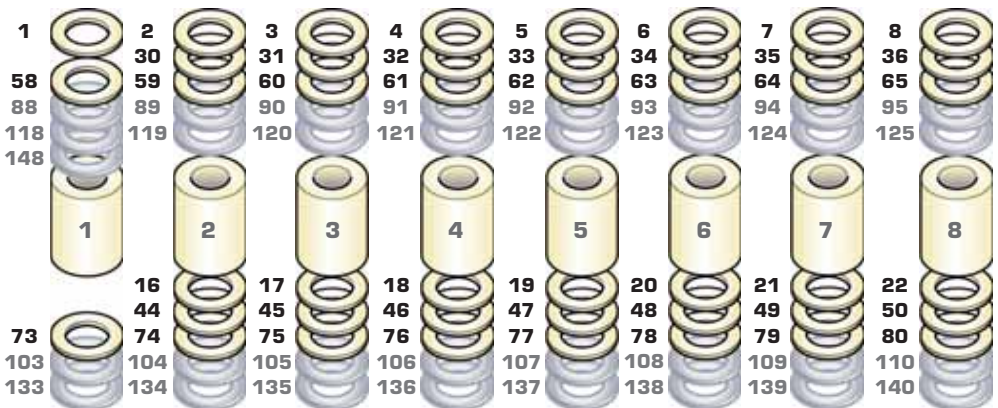
| H cm | H inch | D47 | D45 |
|------|-----------|-----|-----|
| 356 | 140 3/16 | 15 | 138 |
| 357 | 140 9/16 | 15 | 142 |
| 358 | 140 15/16 | 15 | 145 |
| 359 | 141 5/16 | 15 | 148 |

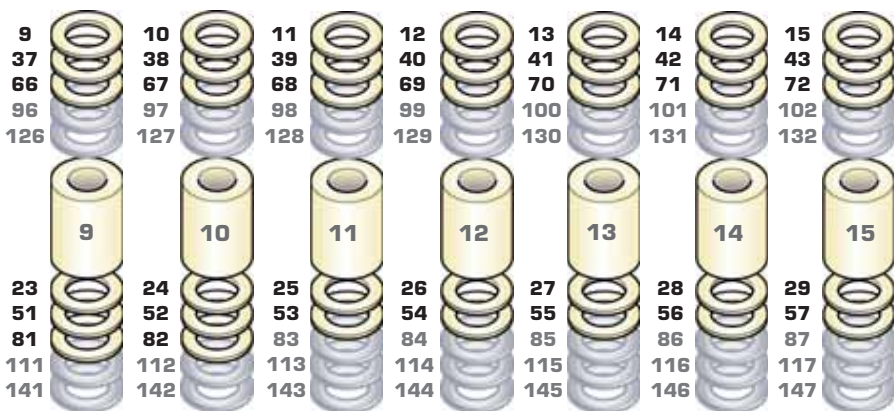
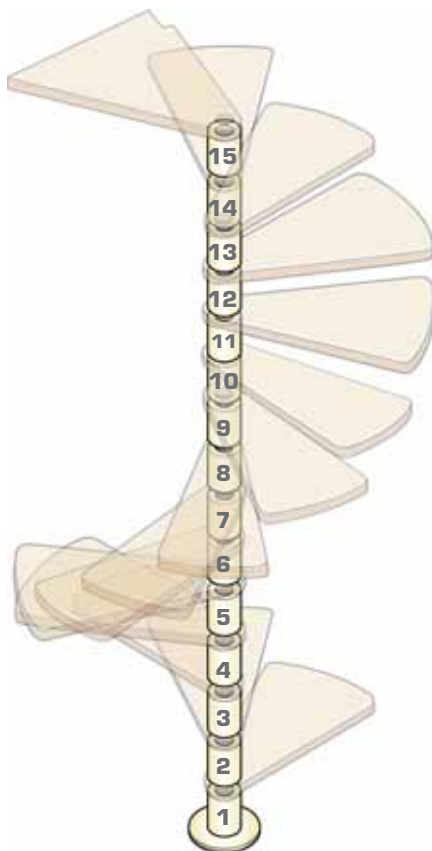
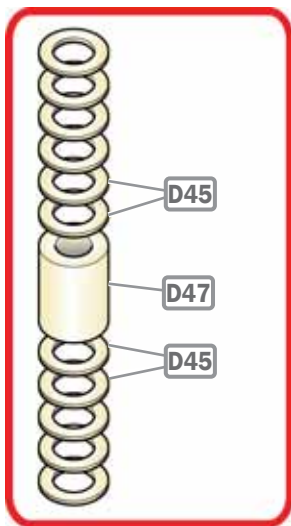


H = 339 cm (133-7/16")

D47 = 15 

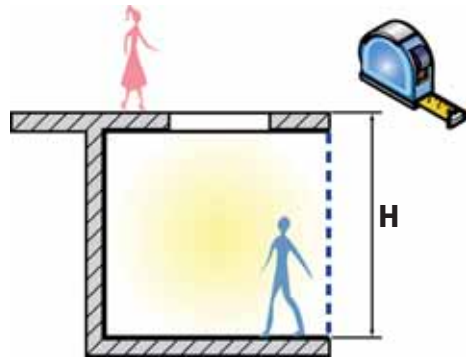
D45 = 82 







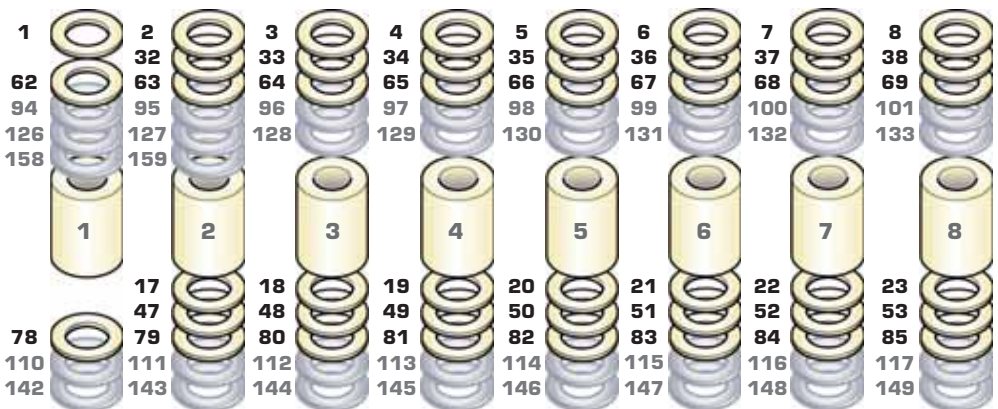
| H cm | H inch | D47 | D45 |
|------|-----------|-----|-----|
| 336 | 132 1/4 | 16 | 2 |
| 337 | 132 11/16 | 16 | 5 |
| 338 | 133 1/16 | 16 | 9 |
| 339 | 133 7/16 | 16 | 12 |
| 340 | 133 7/8 | 16 | 15 |
| 341 | 134 1/4 | 16 | 19 |
| 342 | 134 5/8 | 16 | 22 |
| 343 | 135 1/16 | 16 | 25 |
| 344 | 135 7/16 | 16 | 29 |
| 345 | 135 13/16 | 16 | 32 |
| 346 | 136 3/16 | 16 | 35 |
| 347 | 136 5/8 | 16 | 39 |
| 348 | 137 | 16 | 42 |
| 349 | 137 3/8 | 16 | 45 |
| 350 | 137 13/16 | 16 | 49 |
| 351 | 138 3/16 | 16 | 52 |
| 352 | 138 9/16 | 16 | 55 |
| 353 | 139 | 16 | 59 |
| 354 | 139 3/8 | 16 | 62 |
| 355 | 139 3/4 | 16 | 65 |
| 356 | 140 3/16 | 16 | 69 |
| 357 | 140 9/16 | 16 | 72 |
| 358 | 140 15/16 | 16 | 75 |
| 359 | 141 5/16 | 16 | 79 |
| 360 | 141 3/4 | 16 | 82 |
| 361 | 142 1/8 | 16 | 85 |
| 362 | 142 1/2 | 16 | 89 |
| 363 | 142 15/16 | 16 | 92 |
| 364 | 143 5/16 | 16 | 95 |
| 365 | 143 11/16 | 16 | 99 |
| 366 | 144 1/8 | 16 | 102 |
| 367 | 144 1/2 | 16 | 105 |
| 368 | 144 7/8 | 16 | 109 |
| 369 | 145 1/4 | 16 | 112 |
| 370 | 145 11/16 | 16 | 115 |
| 371 | 146 1/16 | 16 | 119 |
| 372 | 146 7/16 | 16 | 122 |
| 373 | 146 7/8 | 16 | 125 |
| 374 | 147 1/4 | 16 | 129 |
| 375 | 147 5/8 | 16 | 132 |
| 376 | 148 1/16 | 16 | 135 |

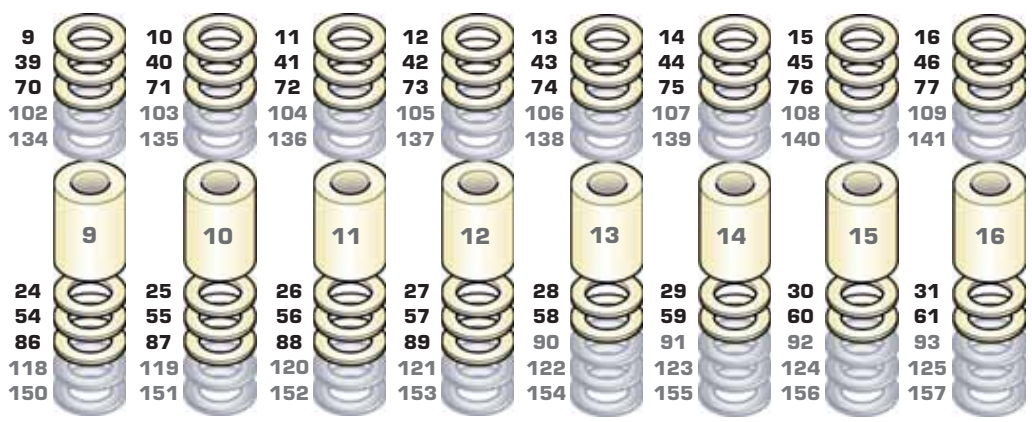
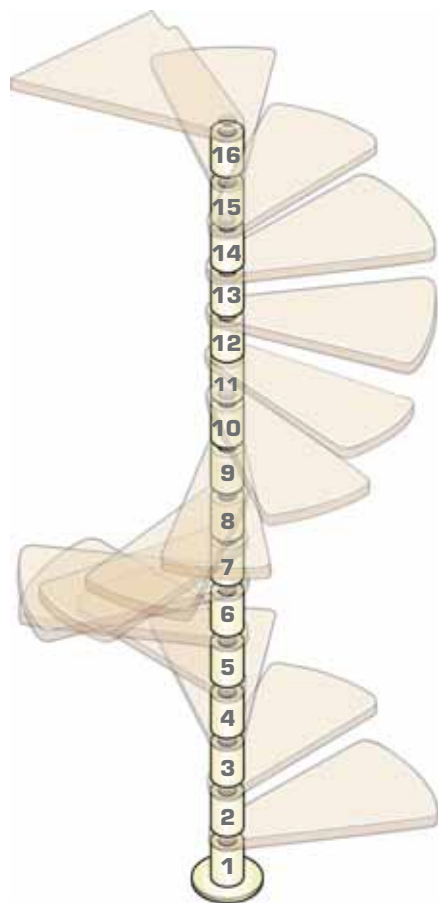
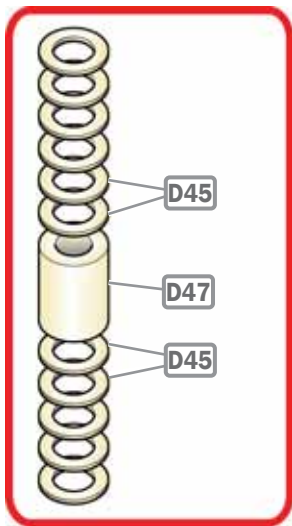
| H cm | H inch | D47 | D45 |
|------|-----------|-----|-----|
| 377 | 148 7/16 | 16 | 139 |
| 378 | 148 13/16 | 16 | 142 |
| 379 | 149 3/16 | 16 | 145 |
| 380 | 149 5/8 | 16 | 149 |
| 381 | 150 | 16 | 152 |
| 382 | 150 3/8 | 16 | 155 |
| 383 | 150 13/16 | 16 | 159 |

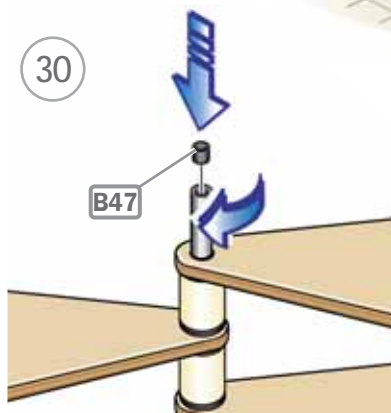
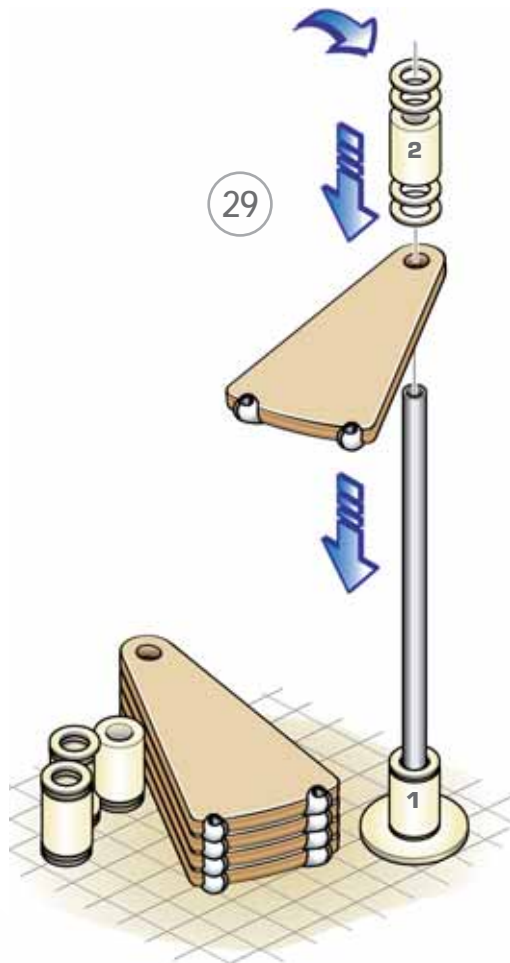
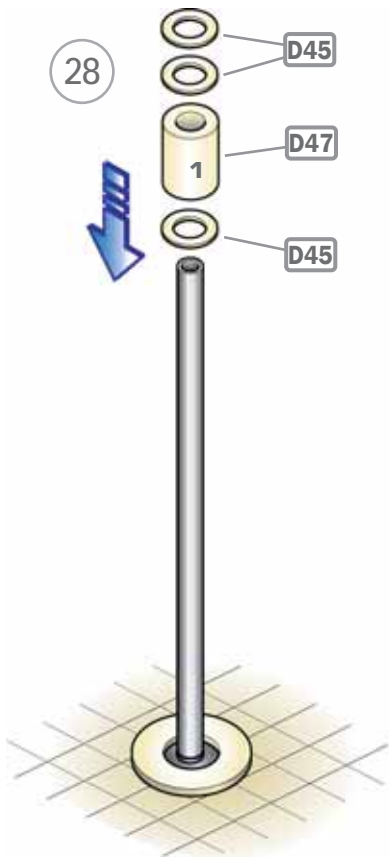


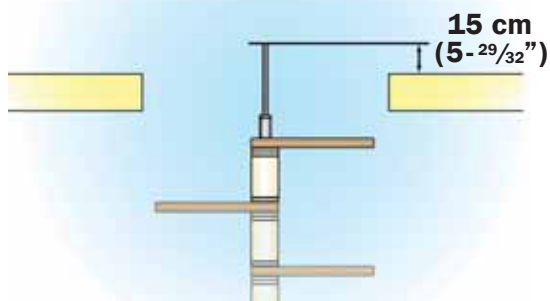
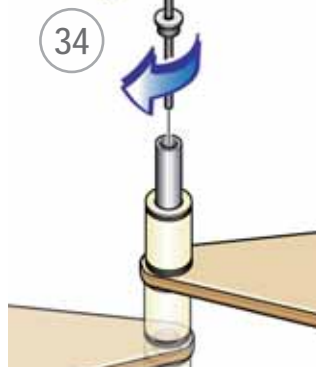
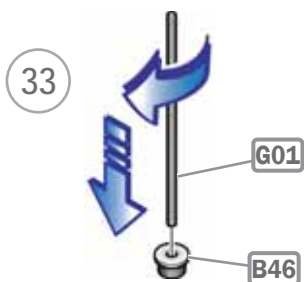
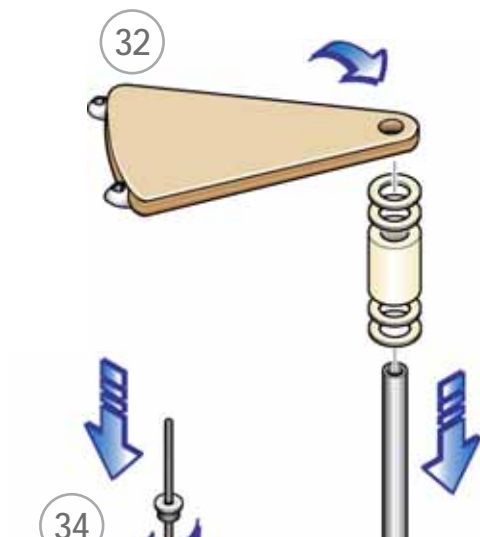
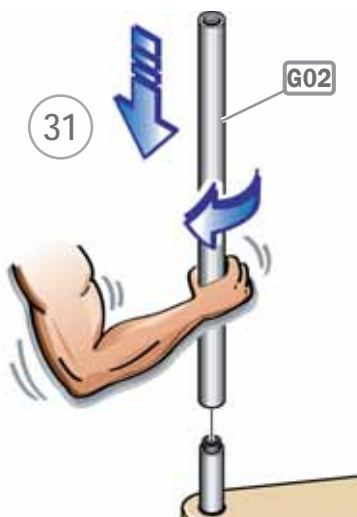
$H = 362 \text{ cm}$
 $(142 \cdot 1/2'')$

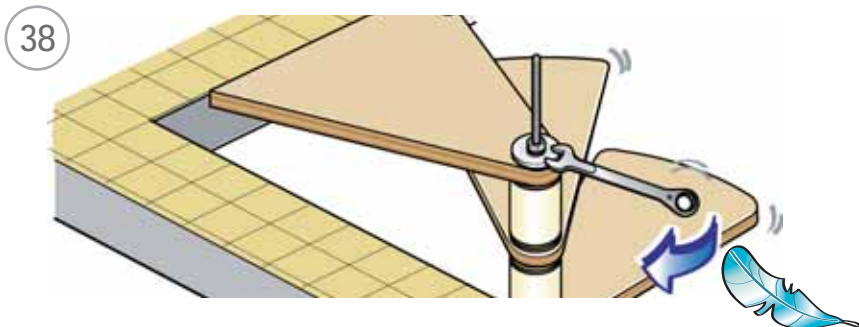
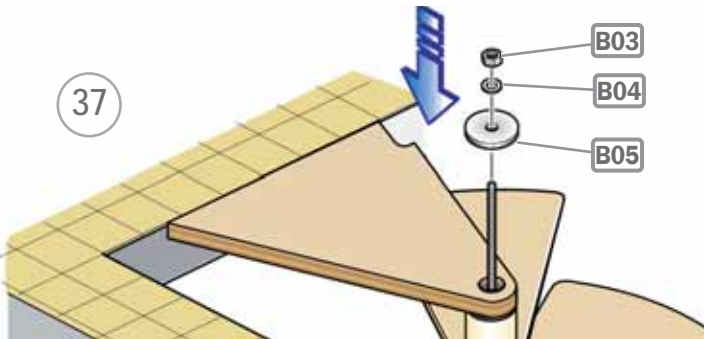
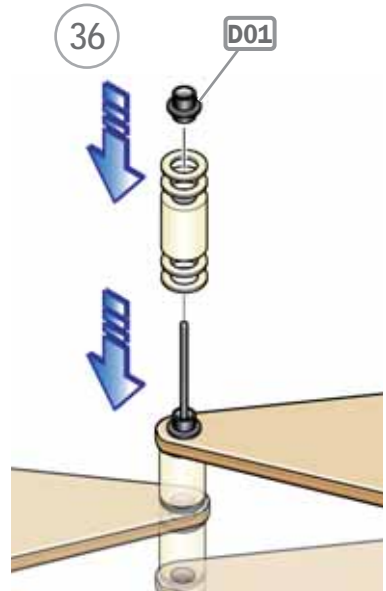
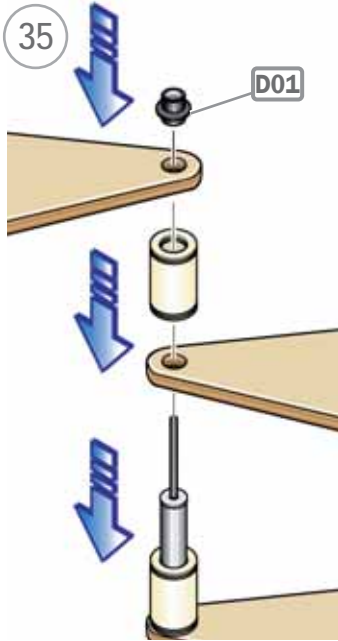
D47 = 16 
D45 = 89 

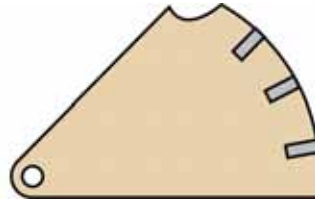
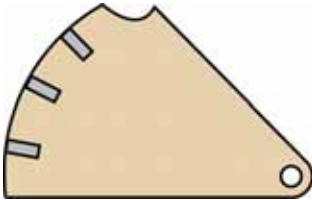
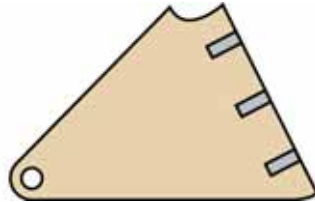
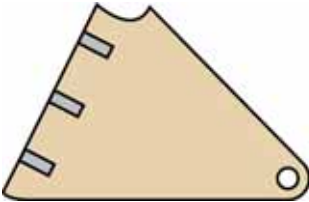
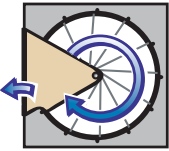
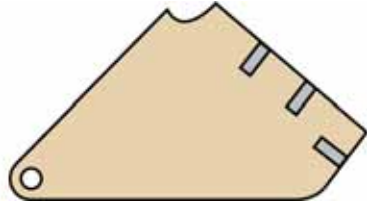
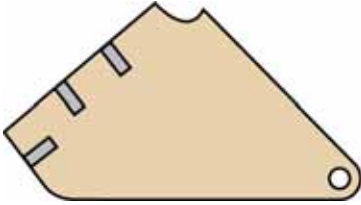
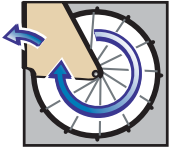


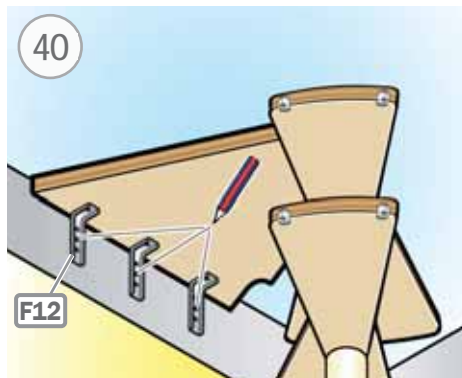
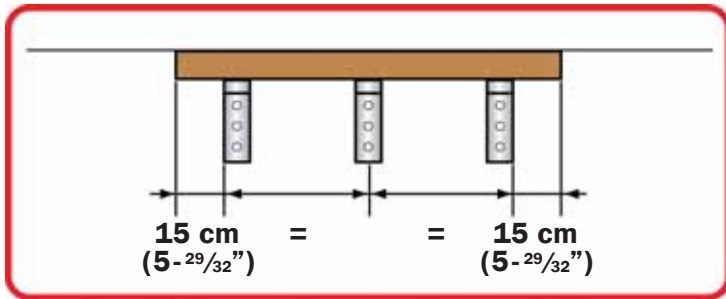
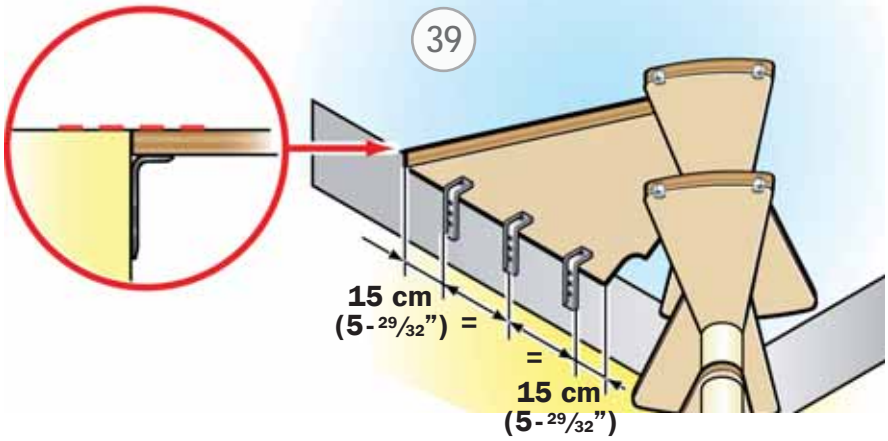


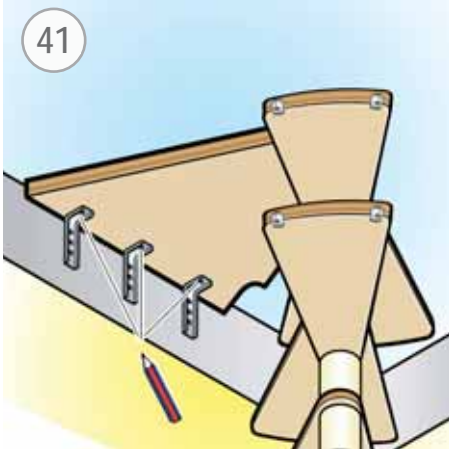




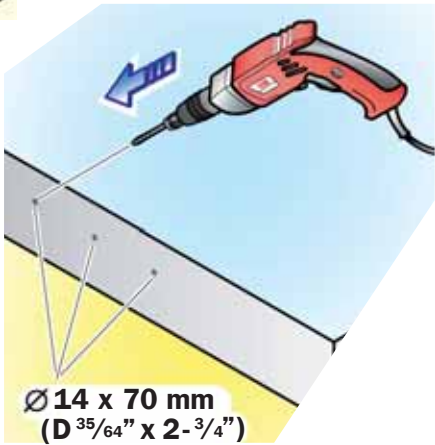




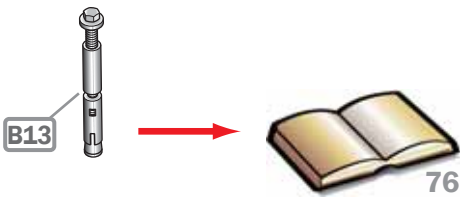
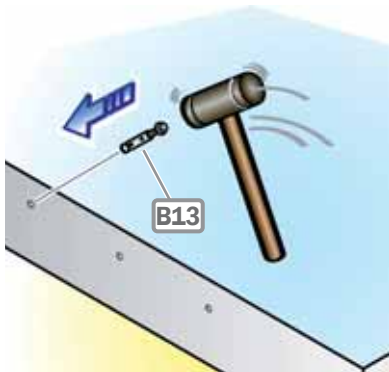




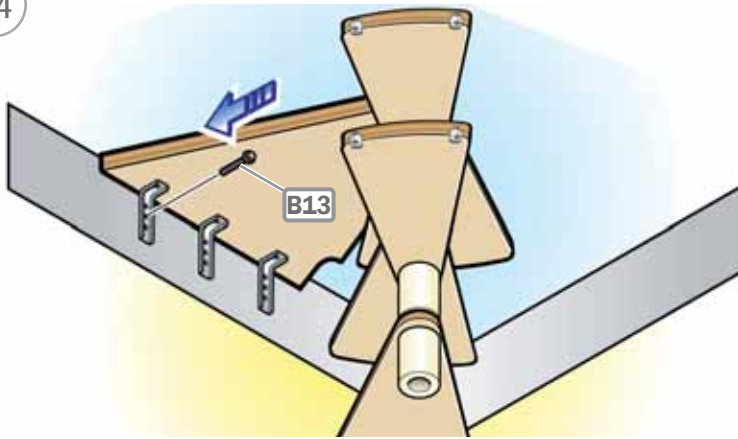
42



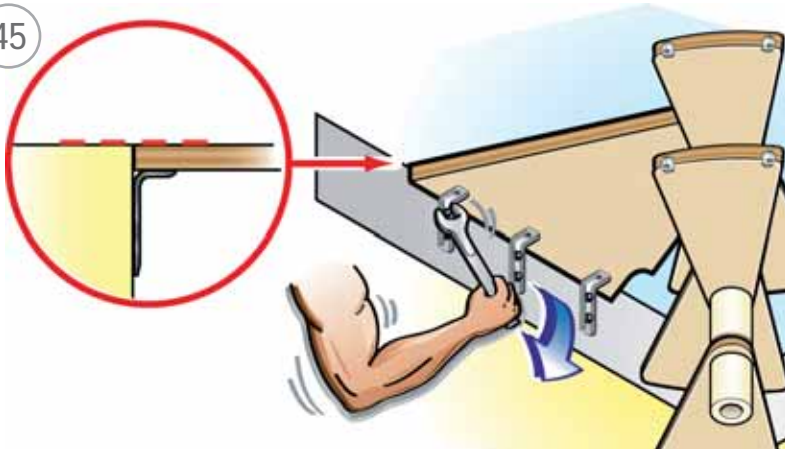
43

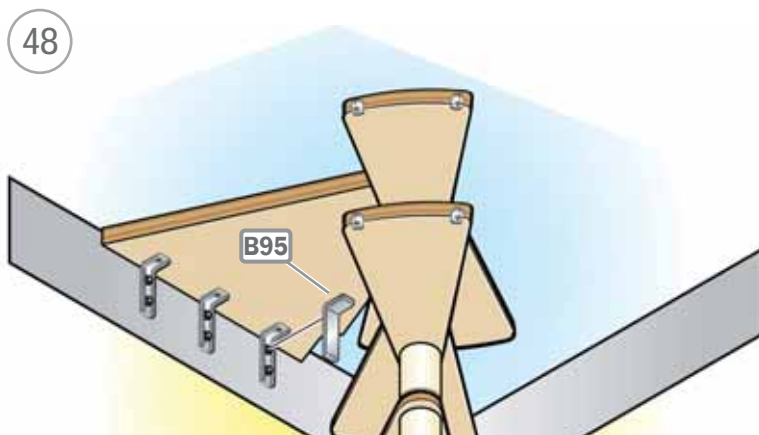
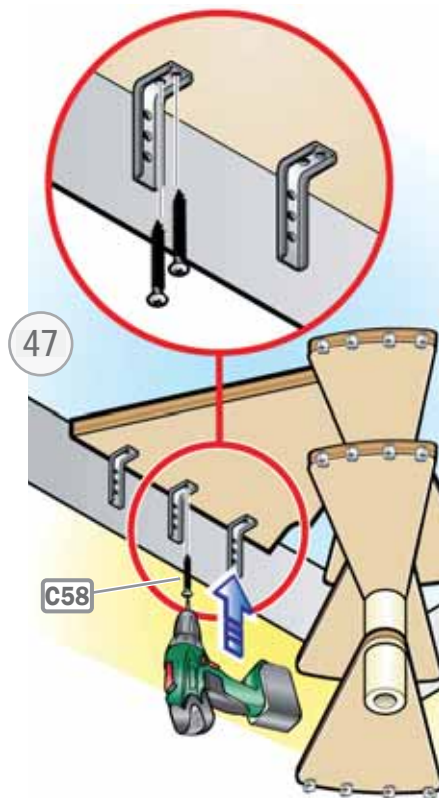
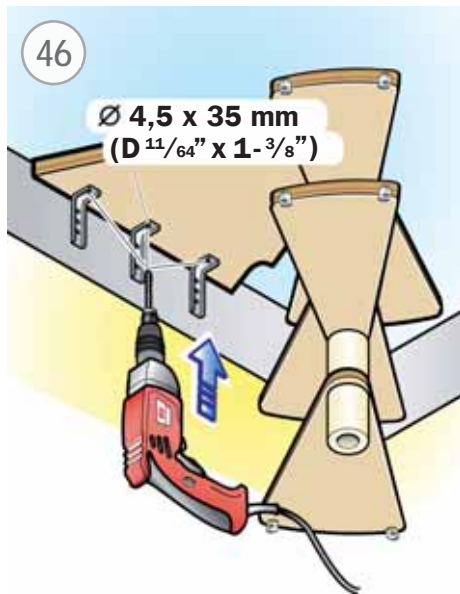


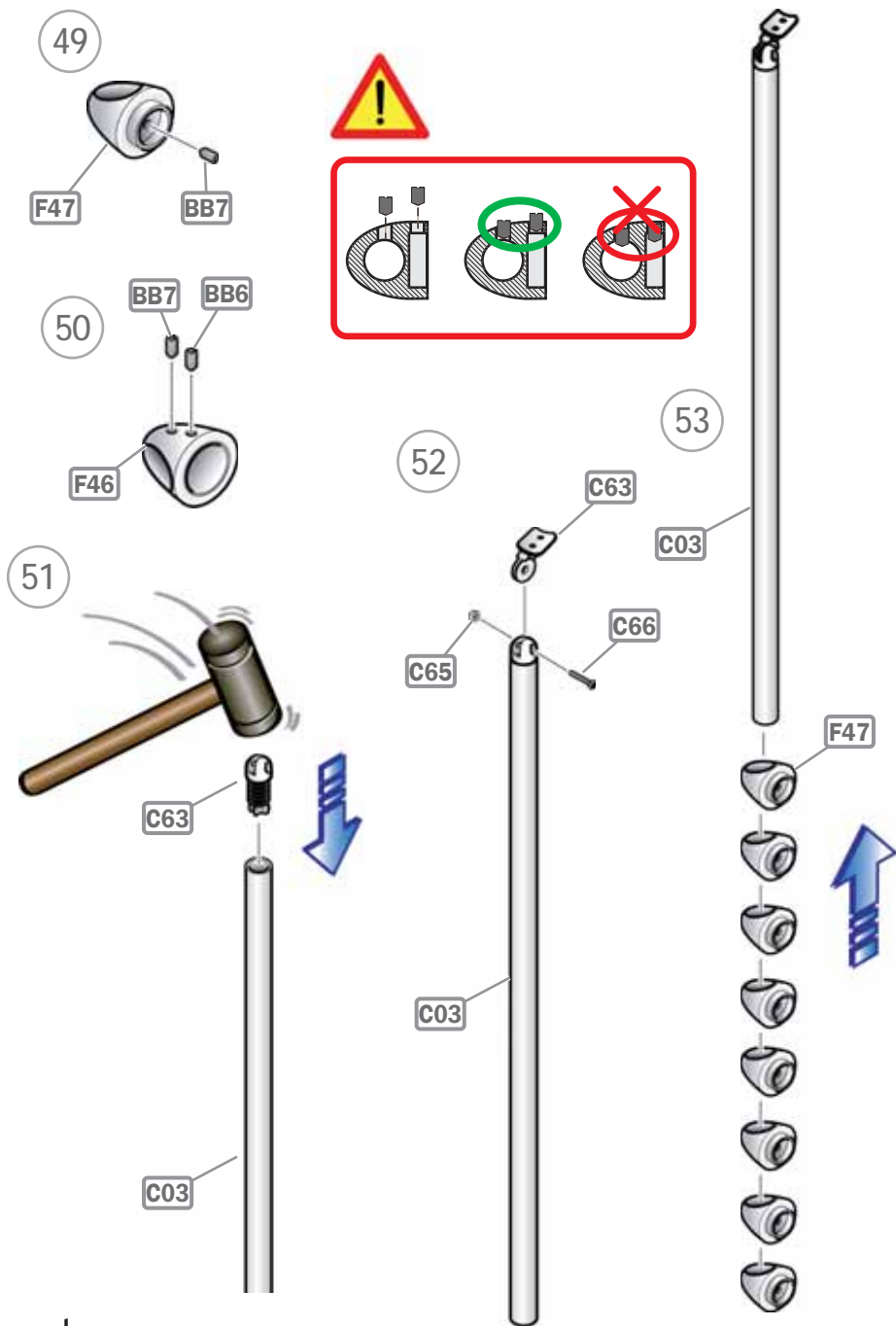
44



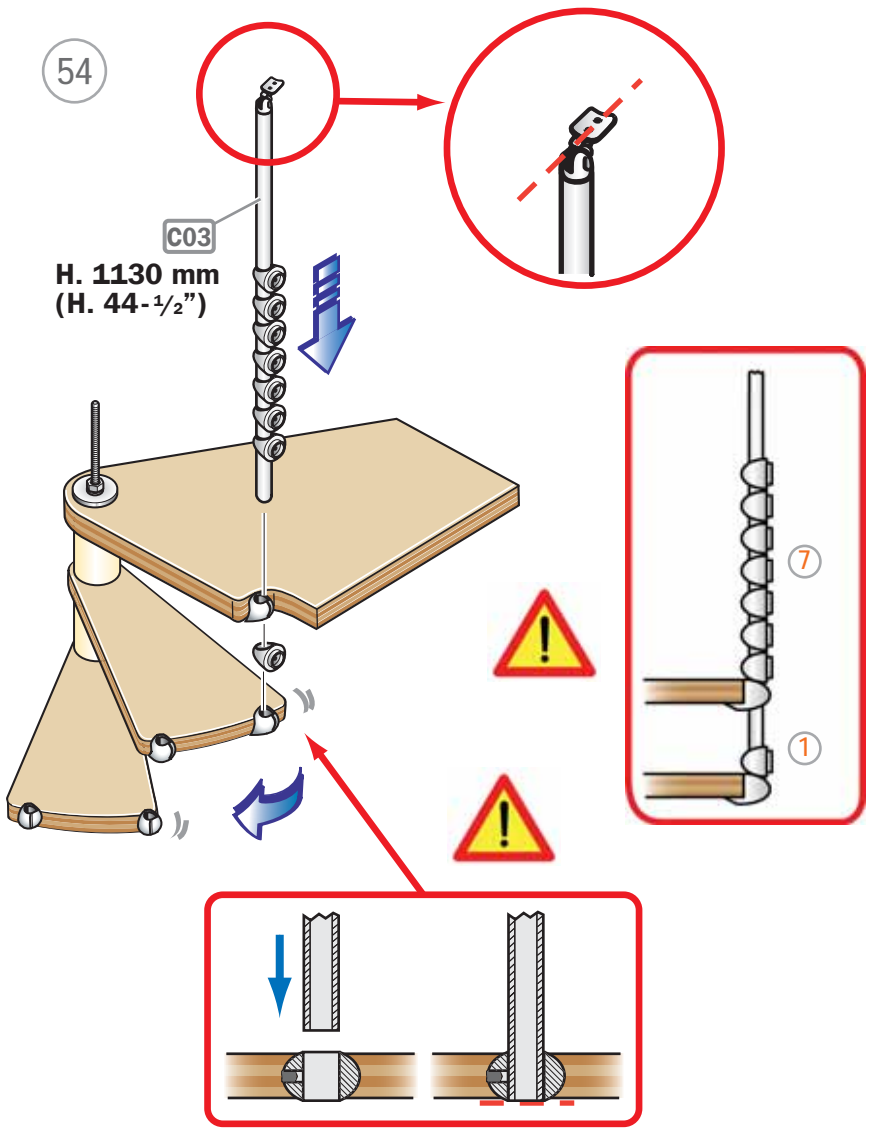
45



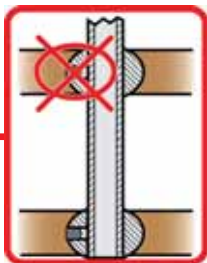
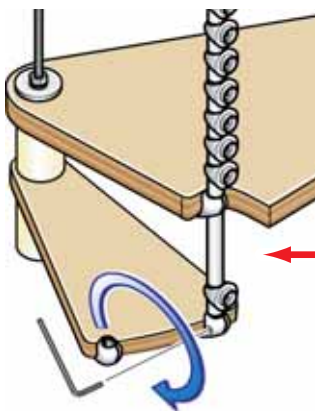




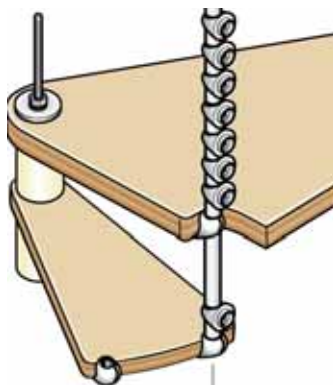
54



55

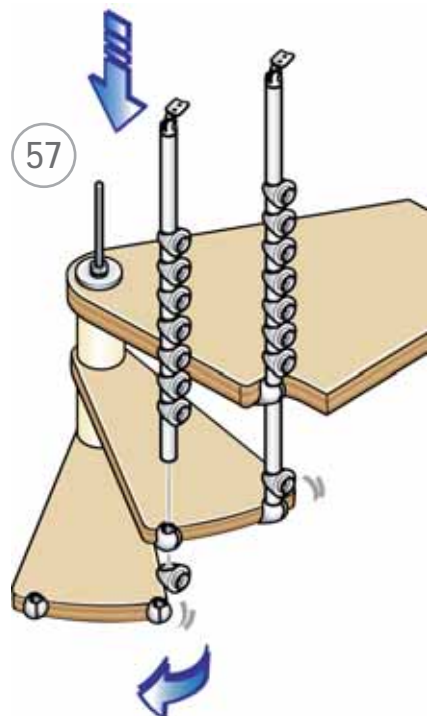


56

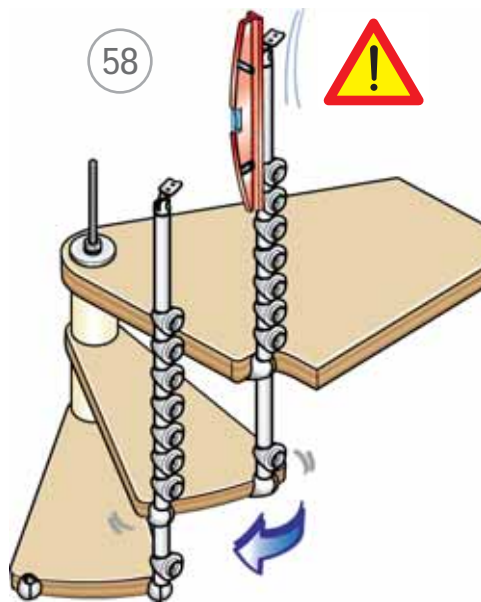


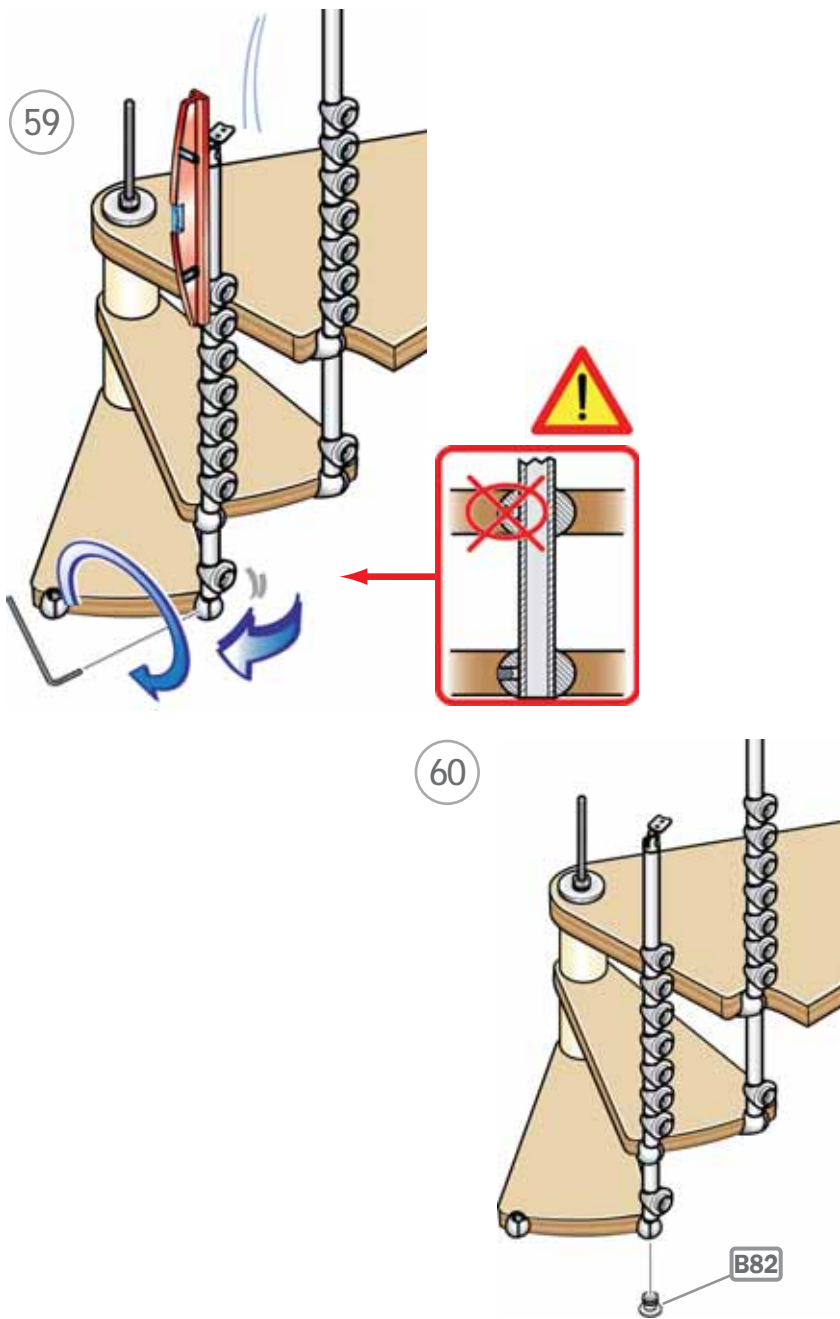
B82

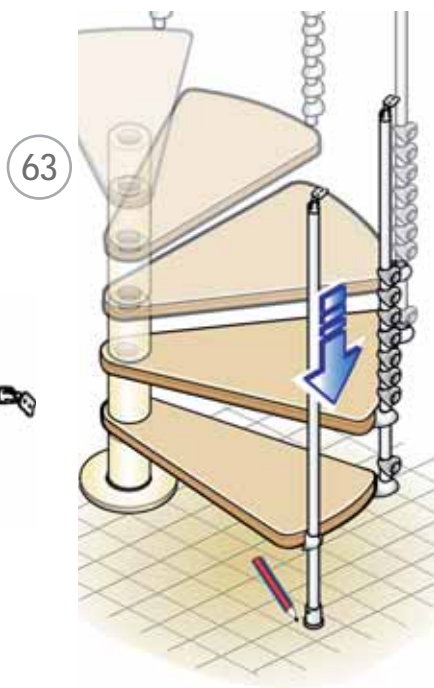
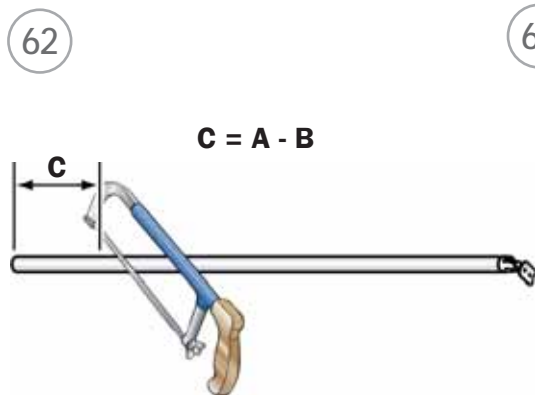
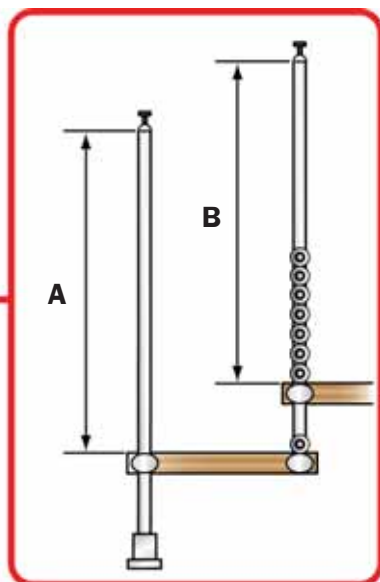
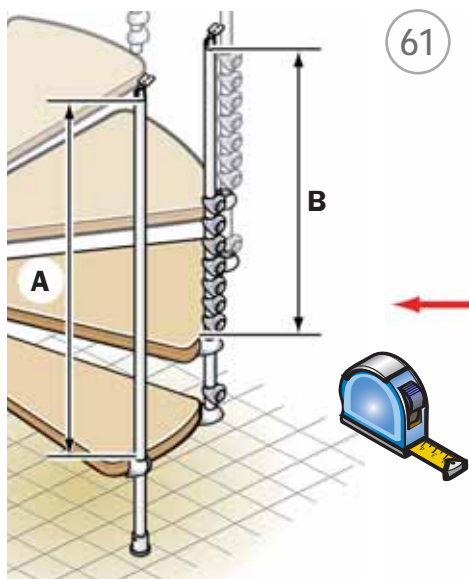
57



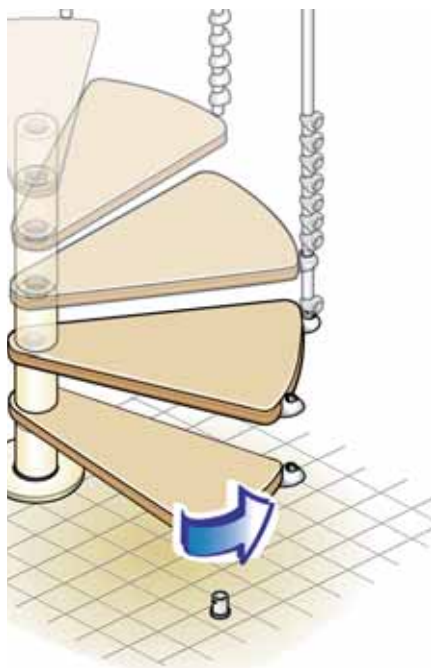
58



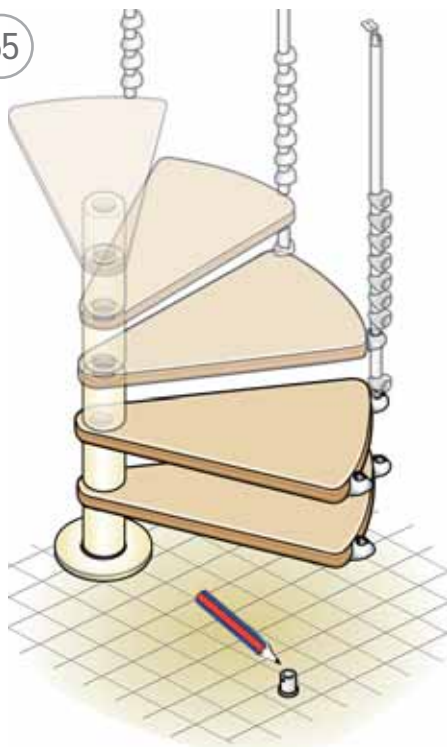




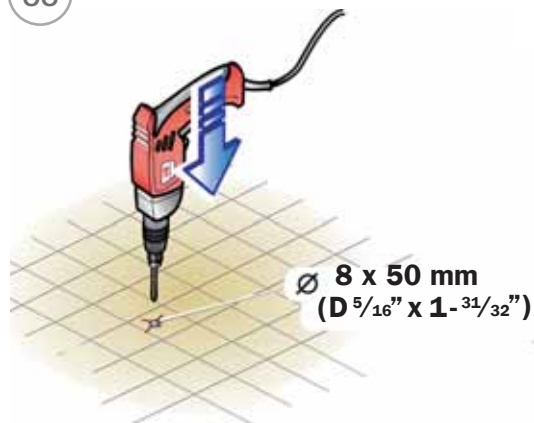
64



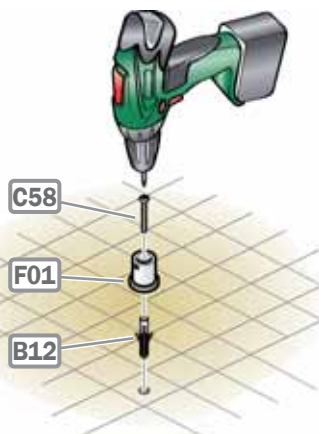
65

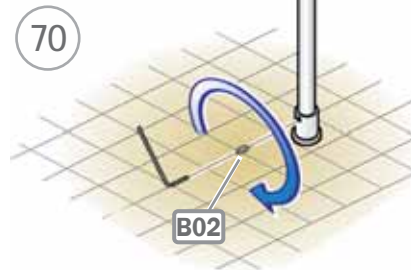
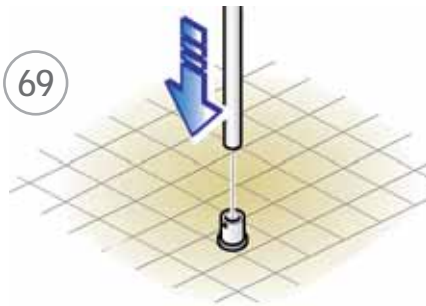
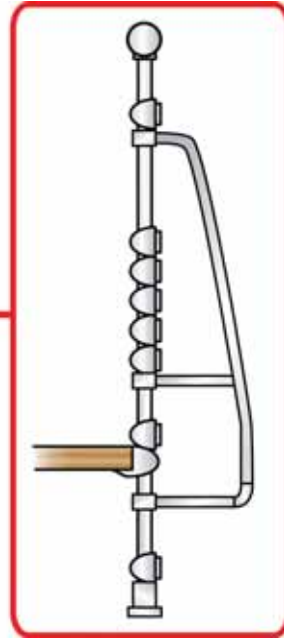
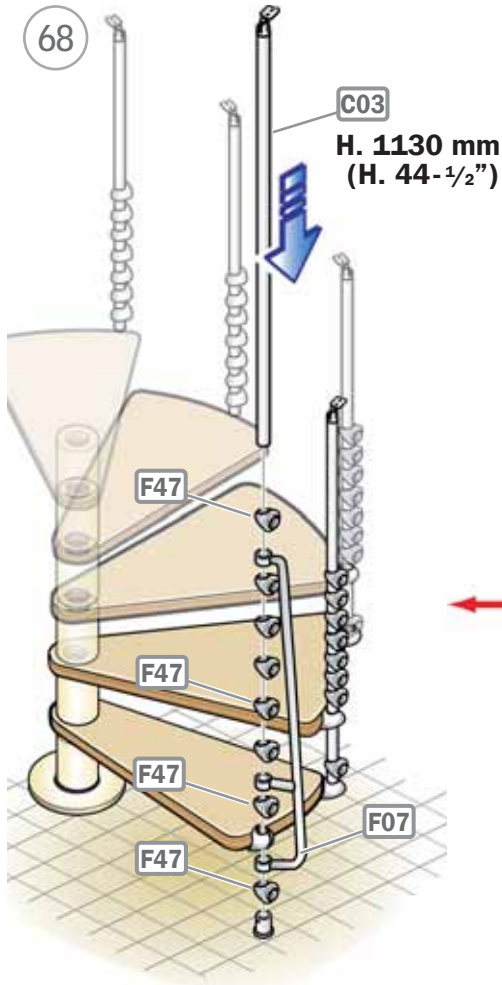


66

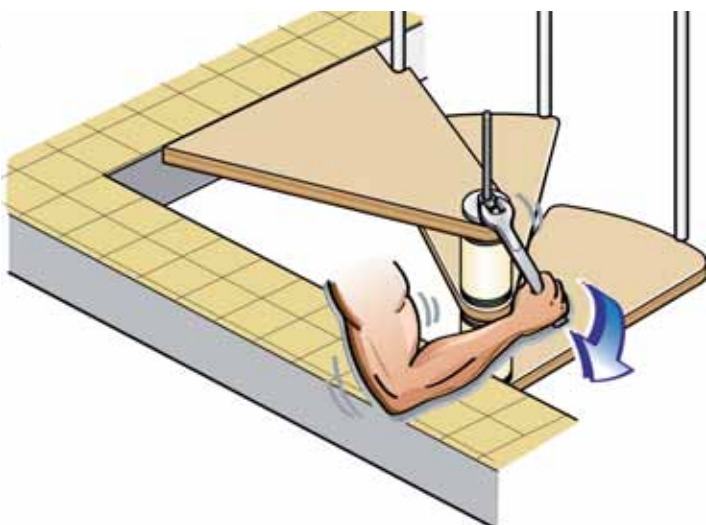


67

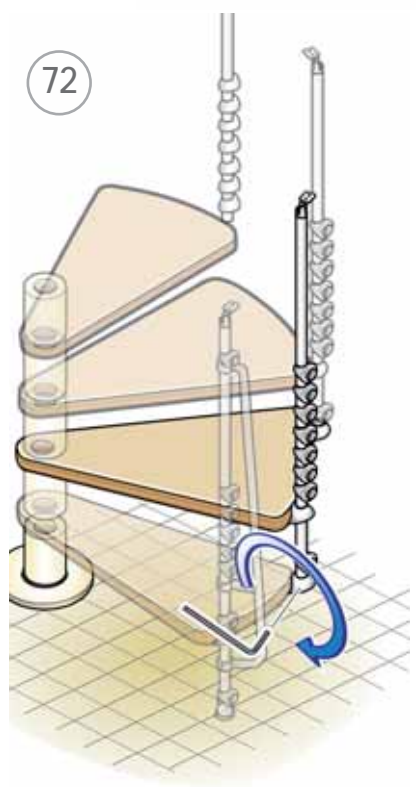




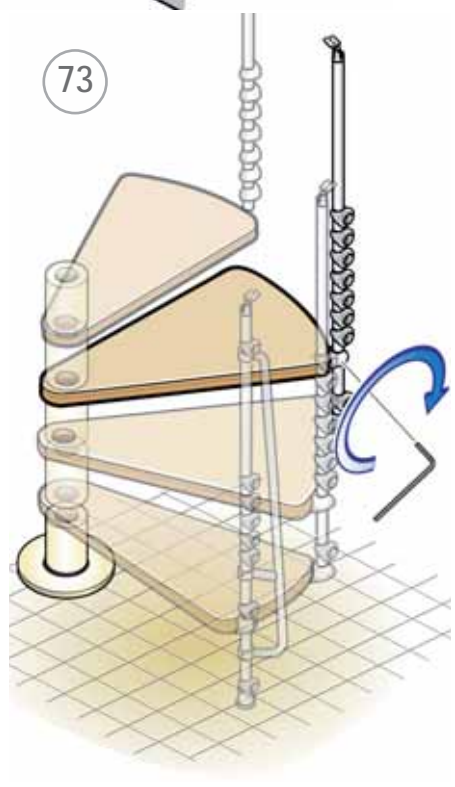
71

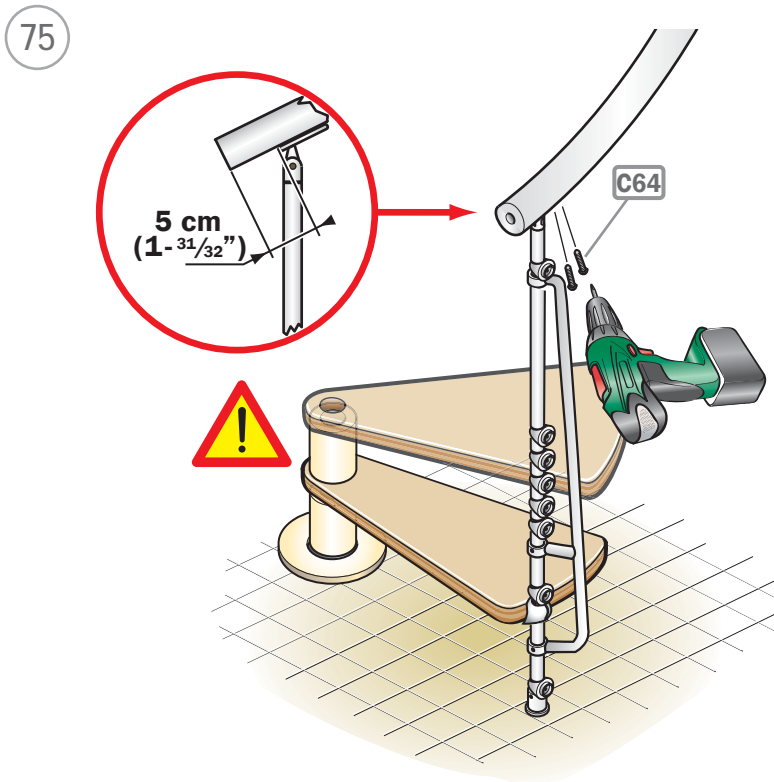
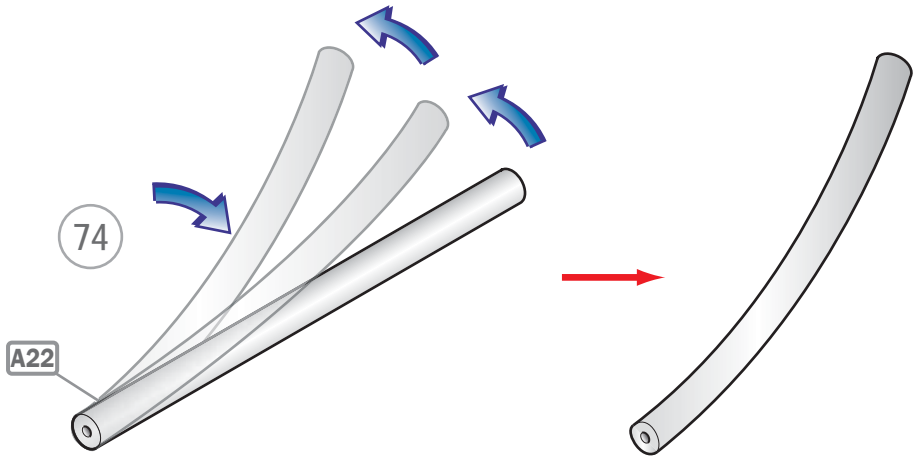


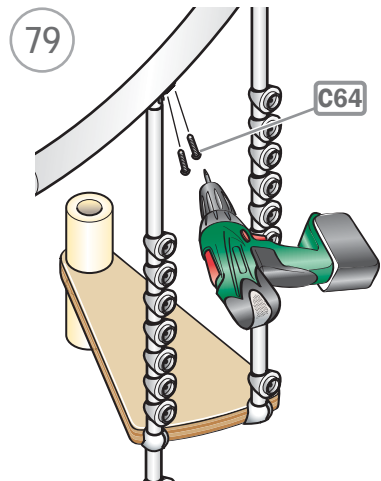
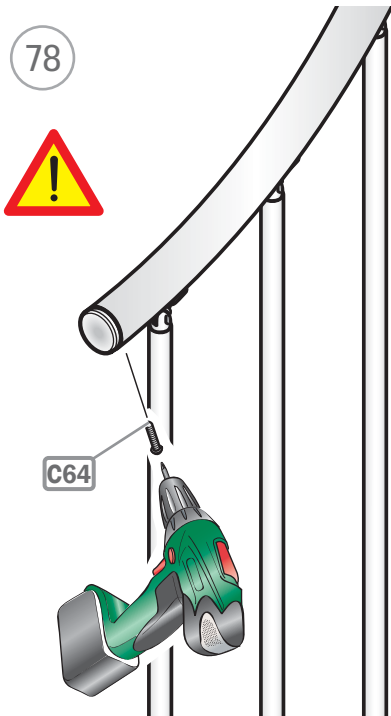
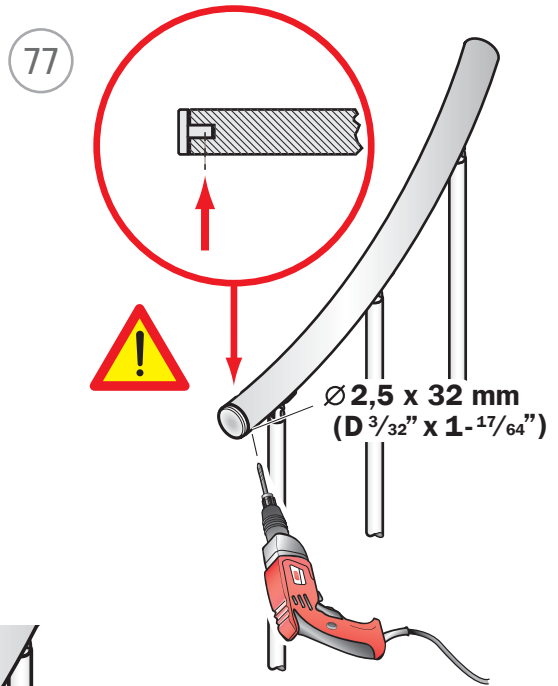
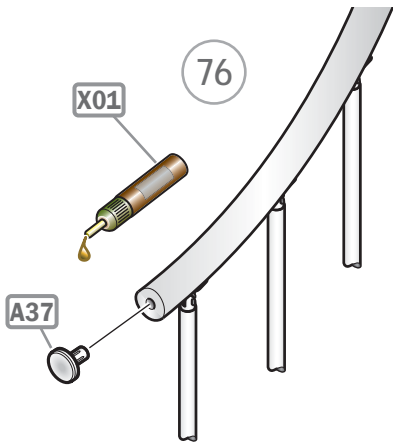
72

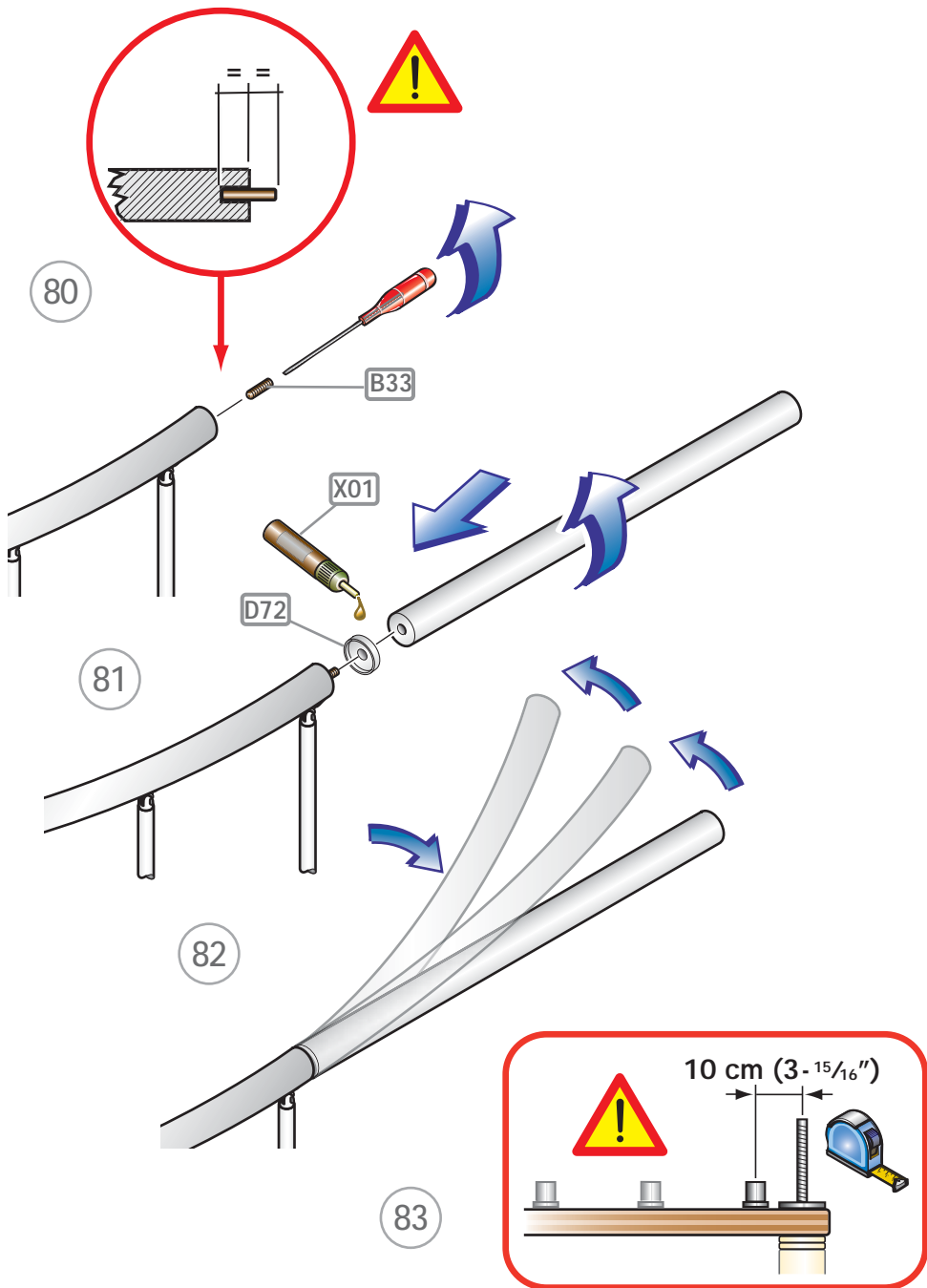


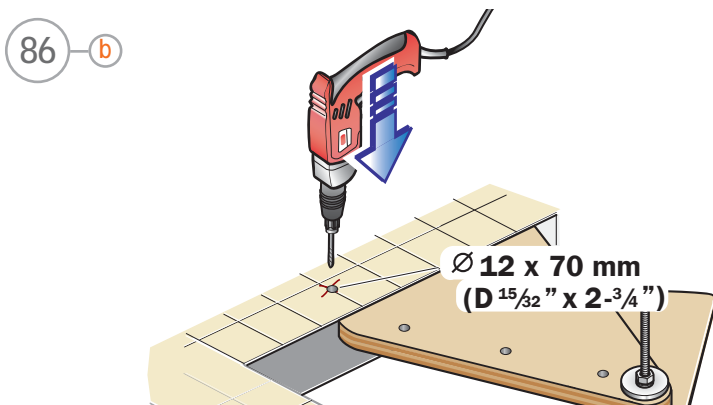
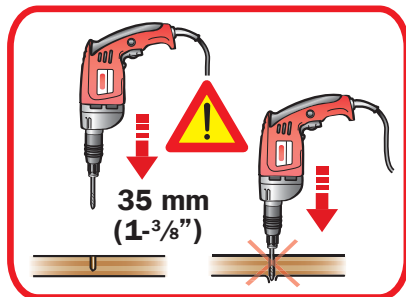
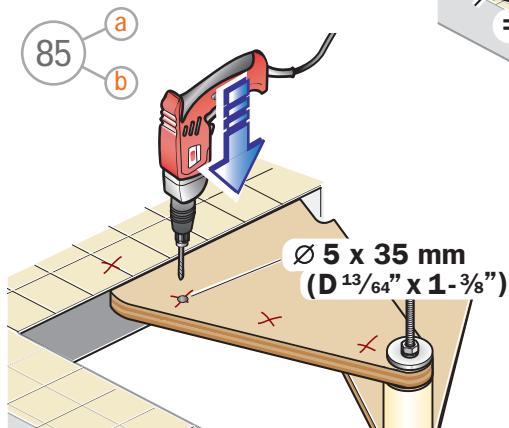
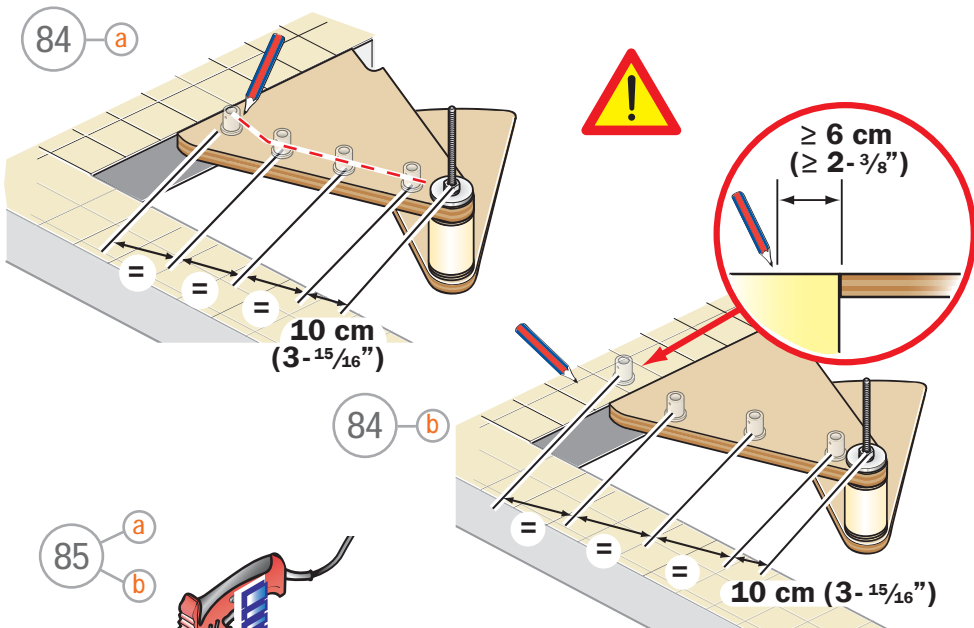
73



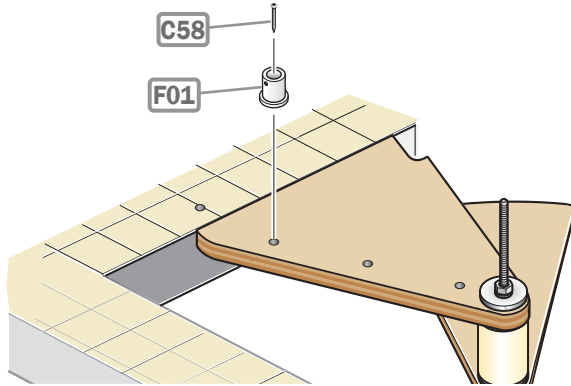






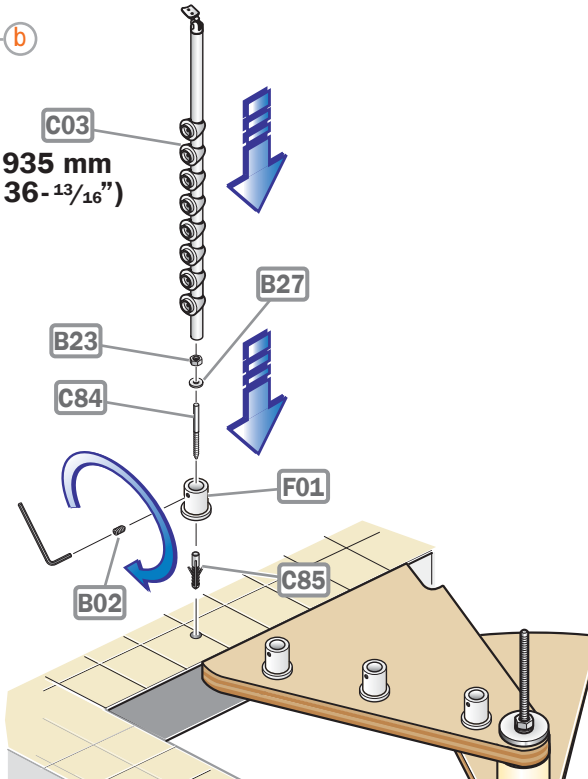


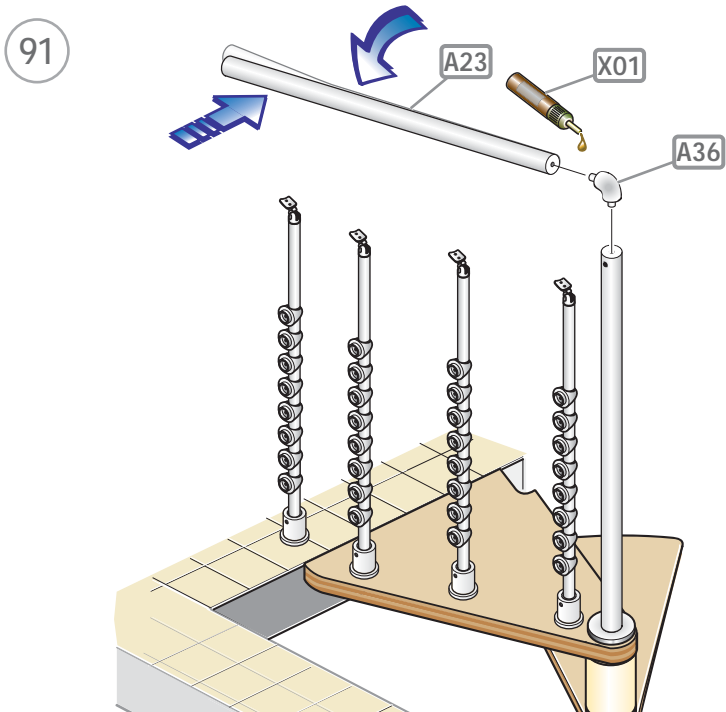
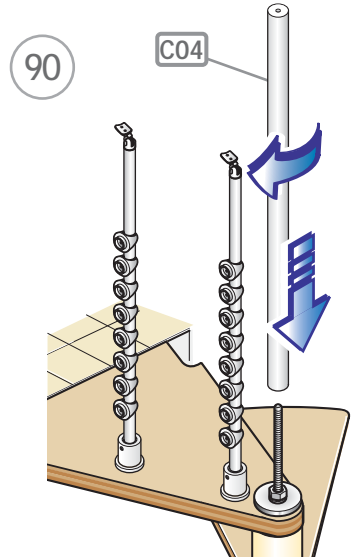
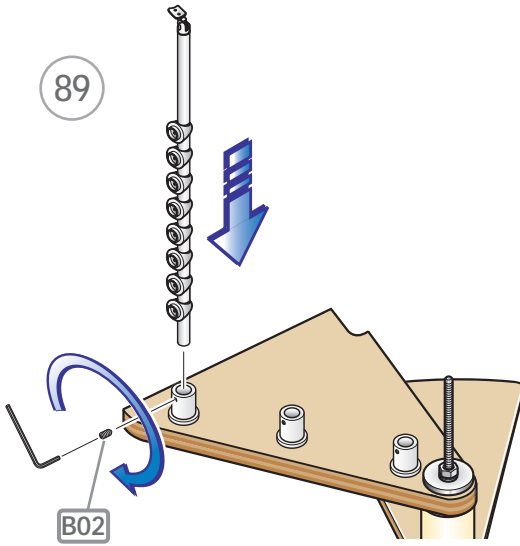
87 a
b

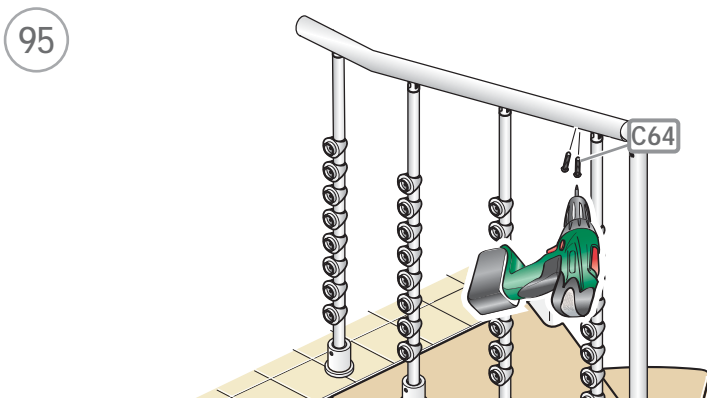
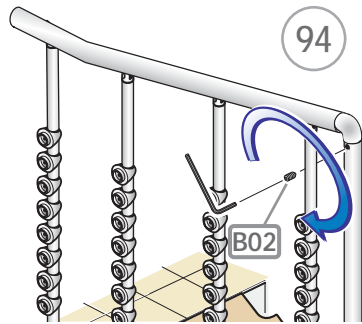
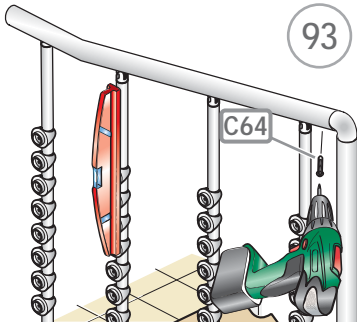
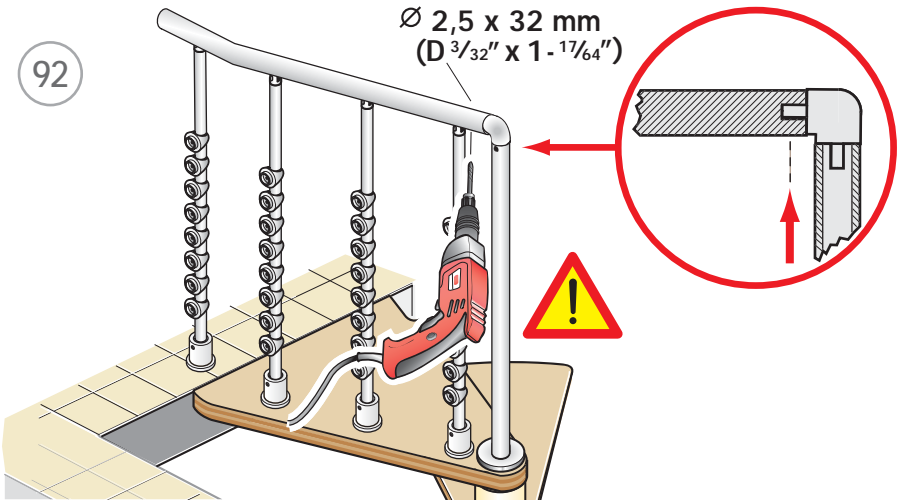


88 b

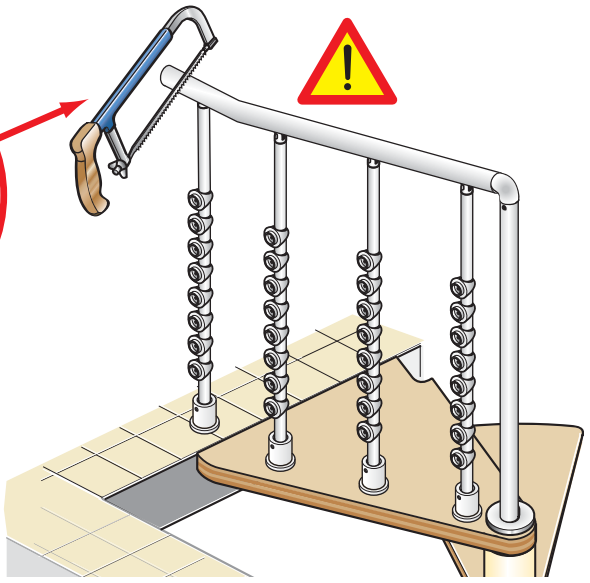
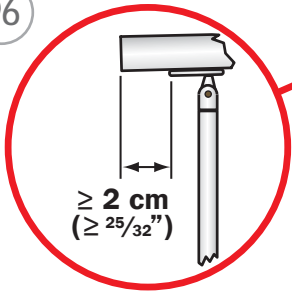
C03
H. 935 mm
(H. 36-¹³/₁₆")



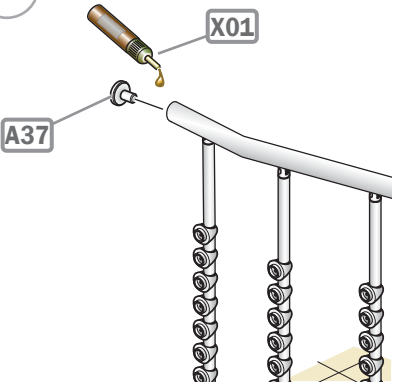




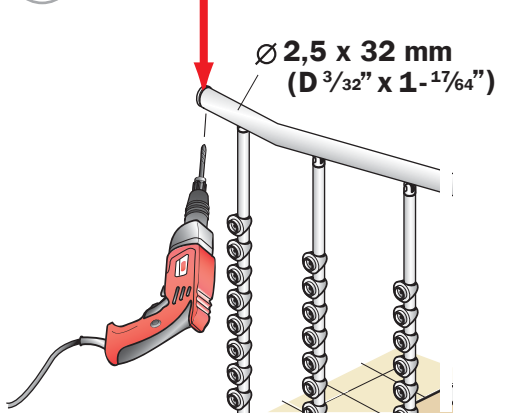
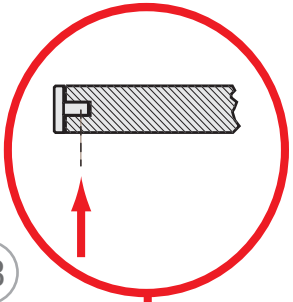
96



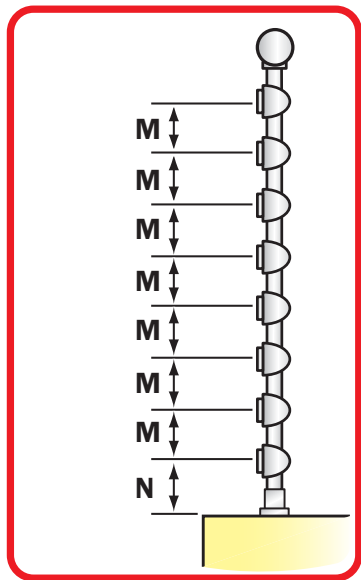
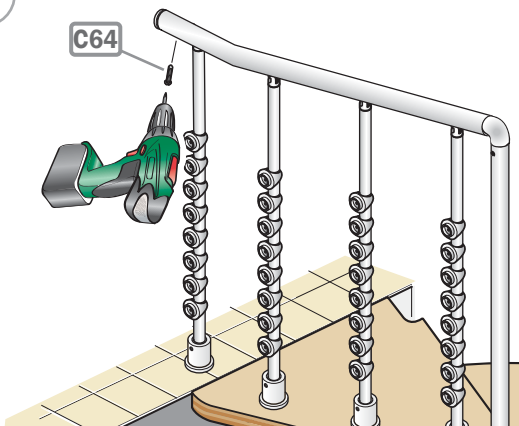
97



98



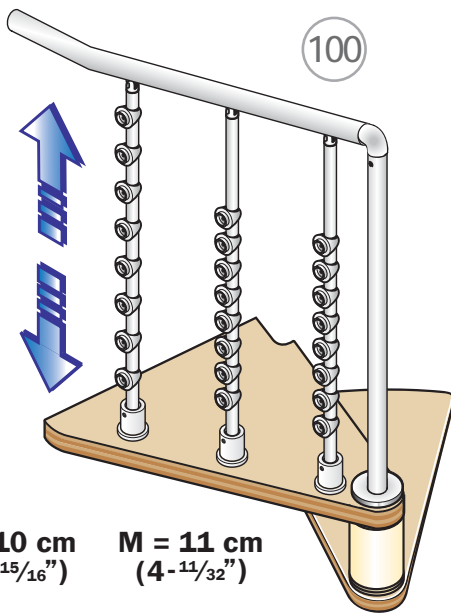
99

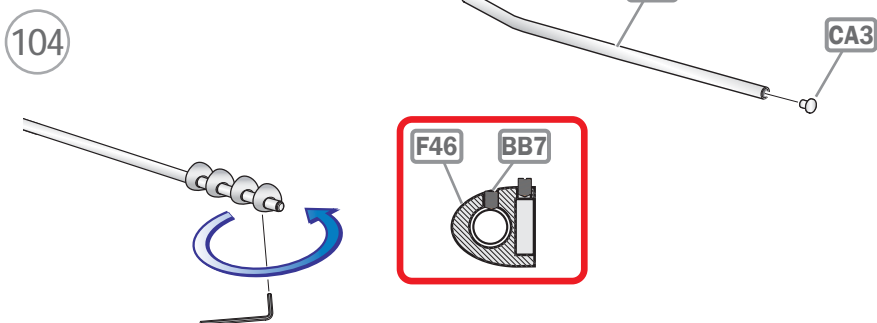
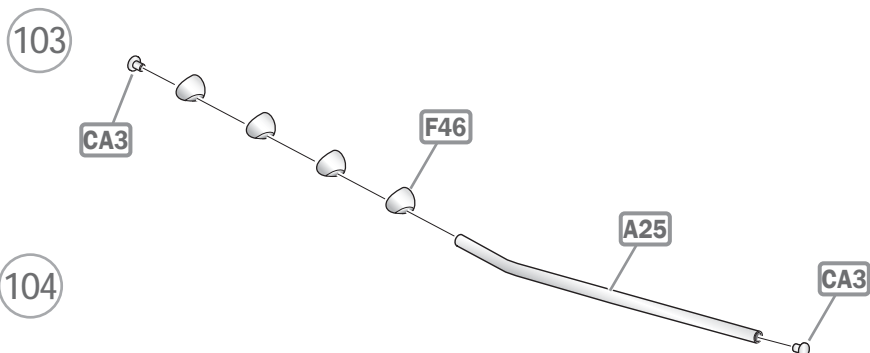
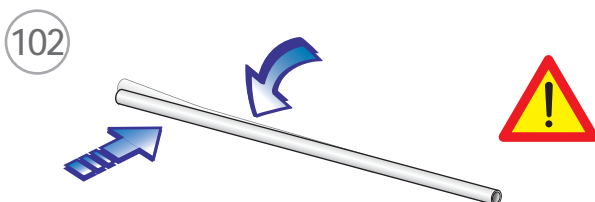
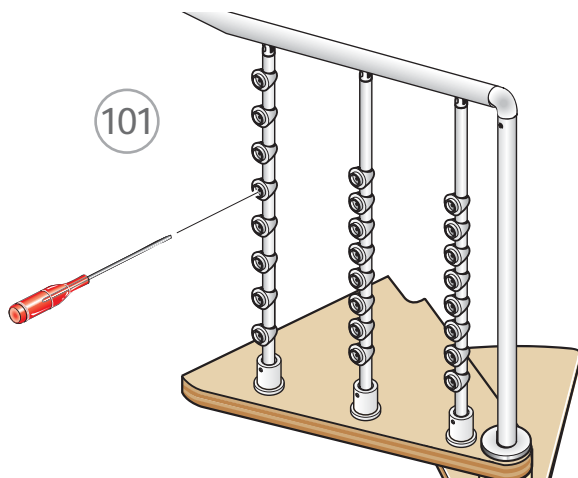


N = 10 cm
(3 - ¹⁵/₁₆")

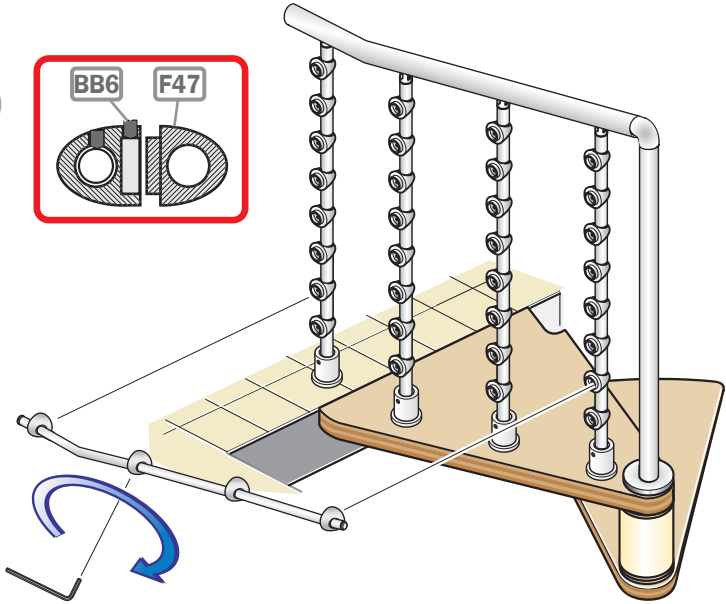
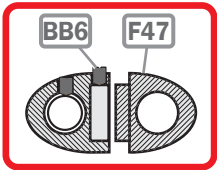
M = 11 cm
(4 - ¹¹/₃₂")

100

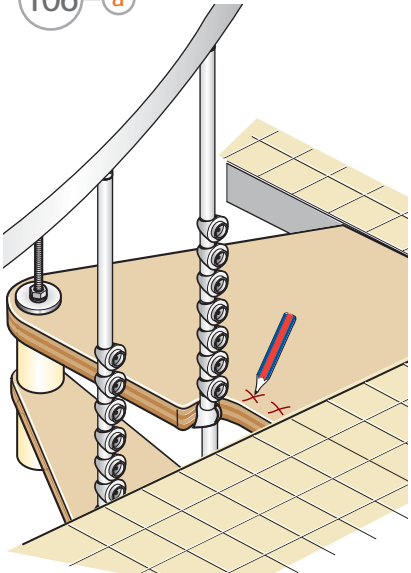




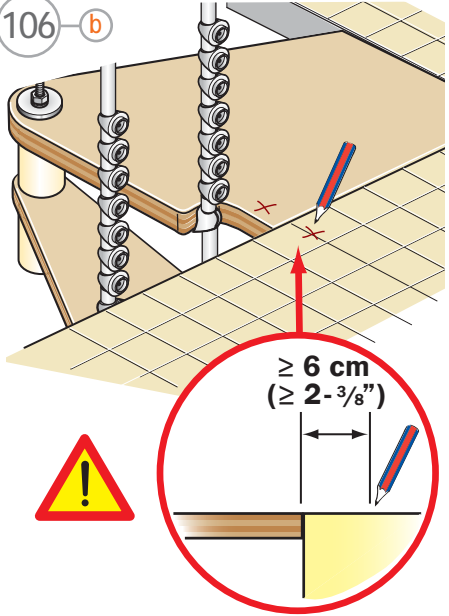
105

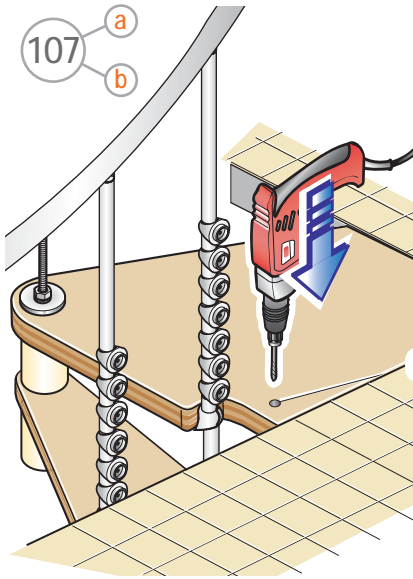


106 a

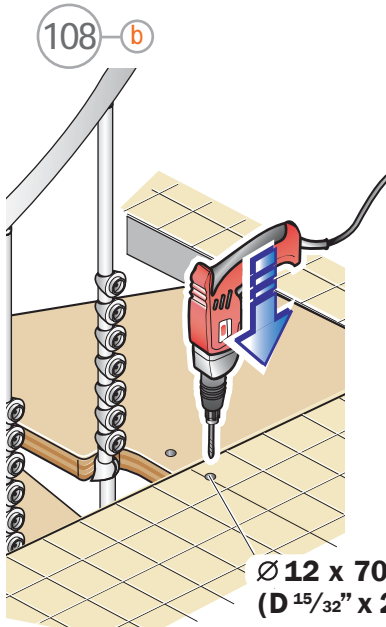
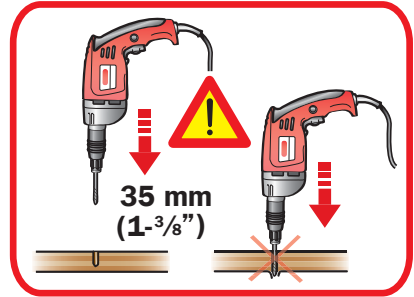


106 b

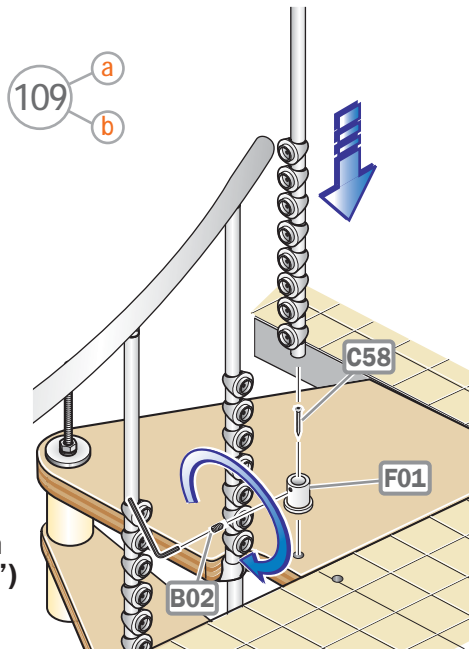


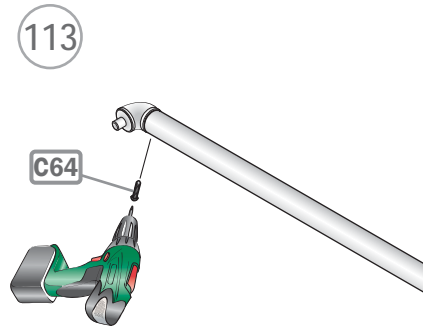
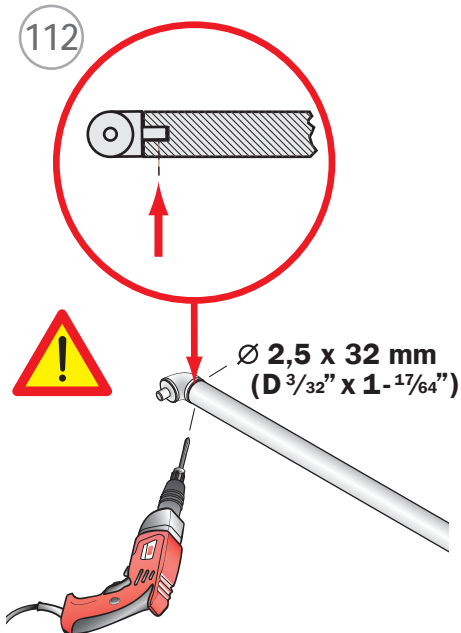
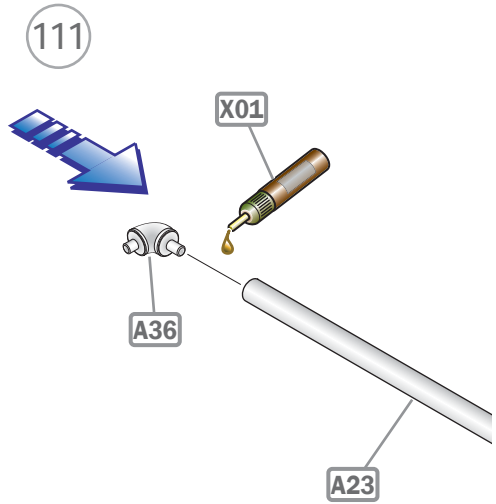
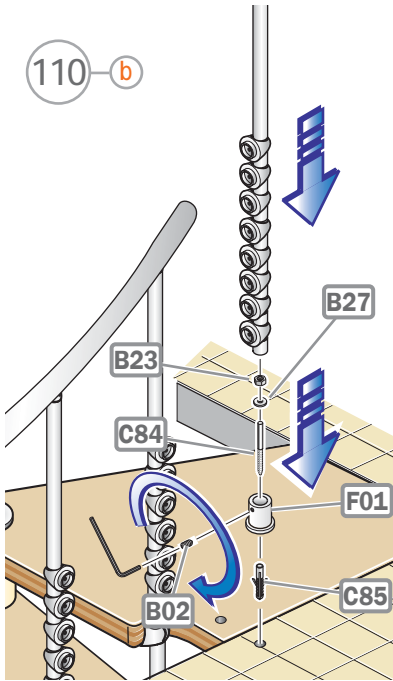


Ø 5 x 35 mm
(D 13/64" x 1-3/8")

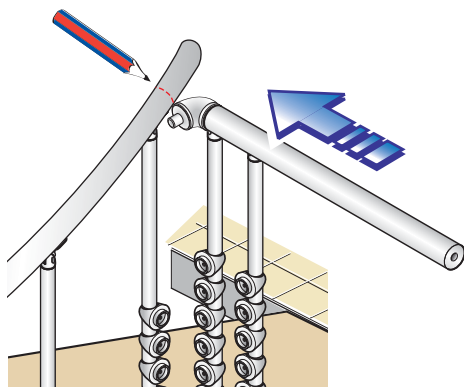


Ø 12 x 70 mm
(D 15/32" x 2-3/4")

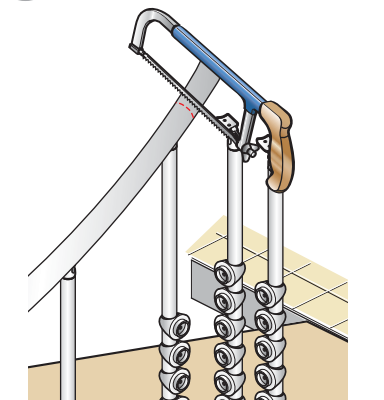




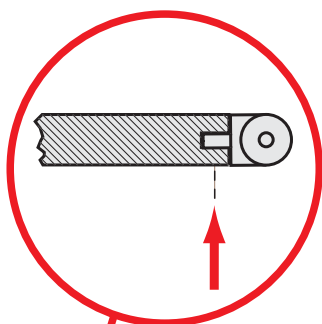
114



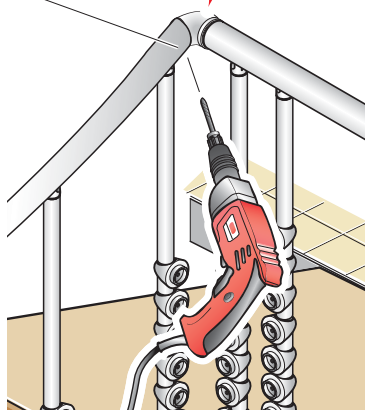
115



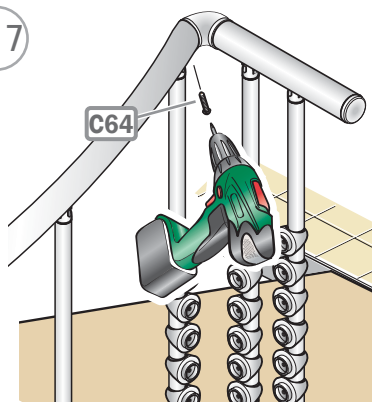
116



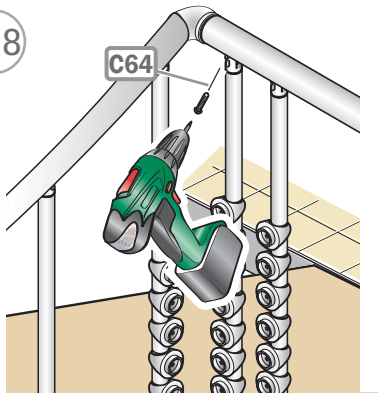
Ø 2,5 x 32 mm
(D 3/32" x 1-17/64")



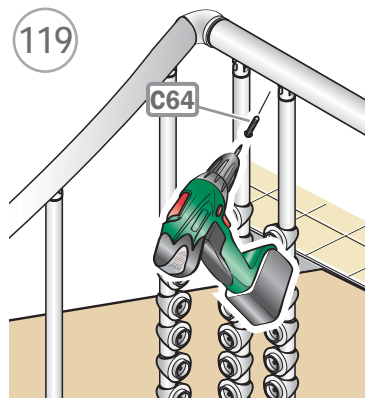
117



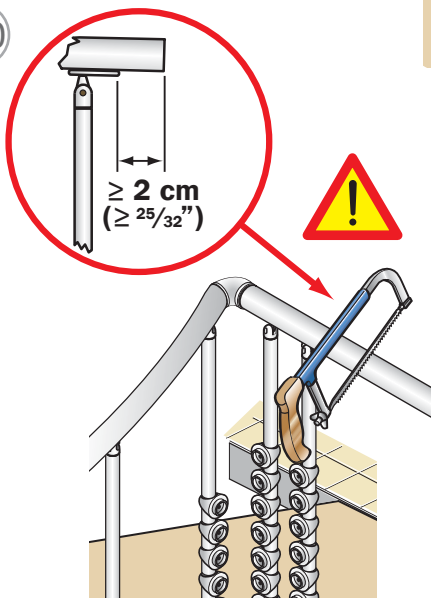
118

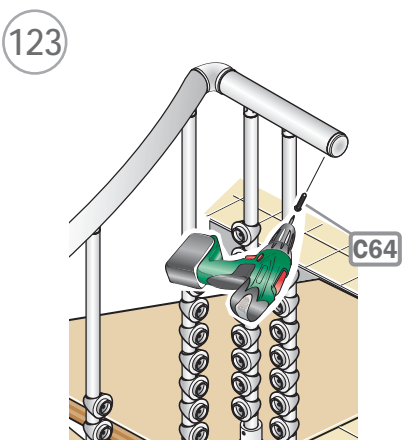
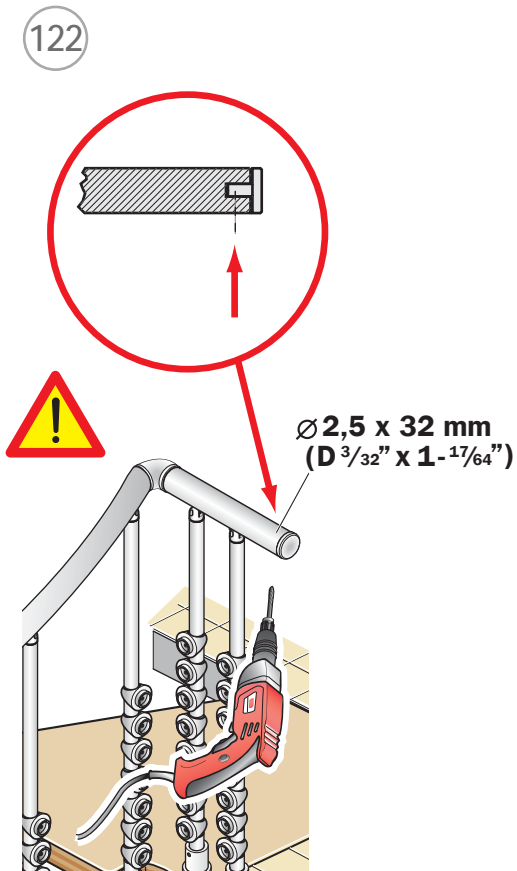
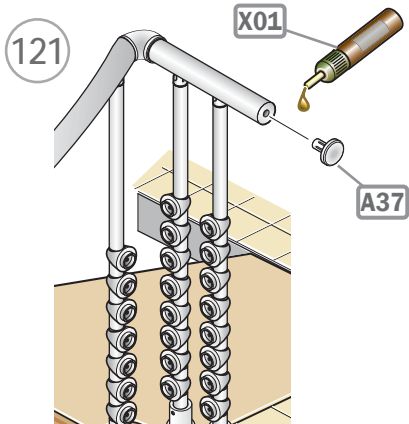


119

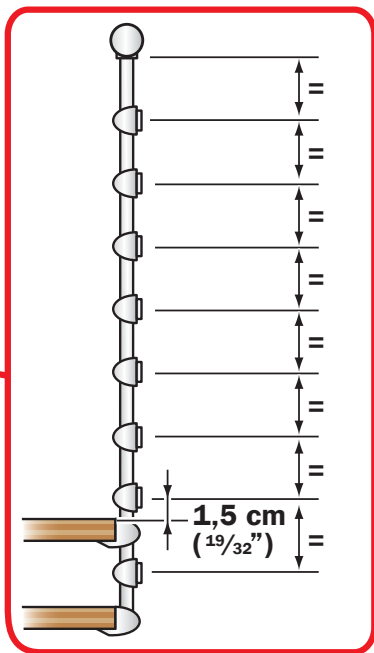
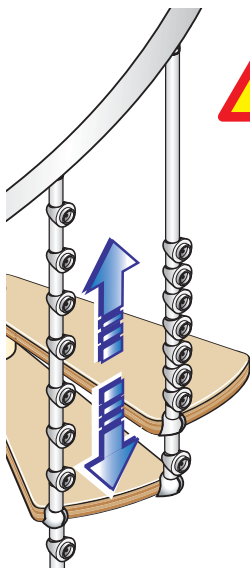


120

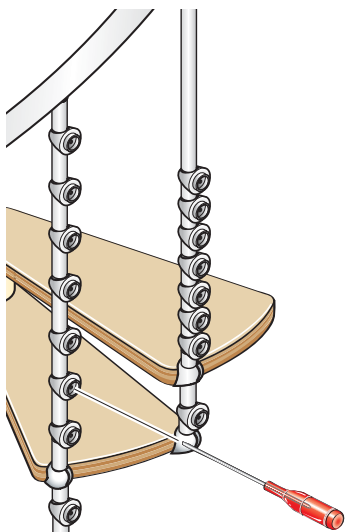




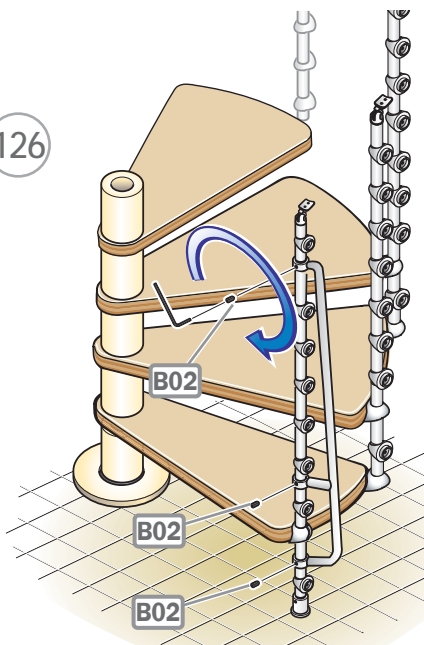
124

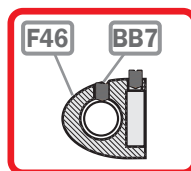
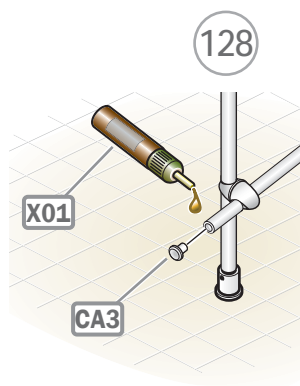
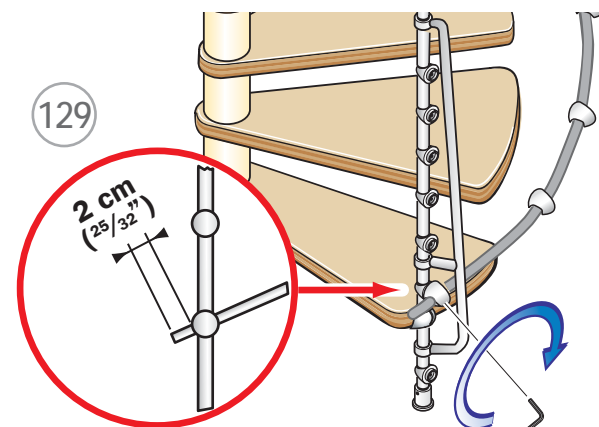
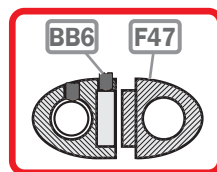
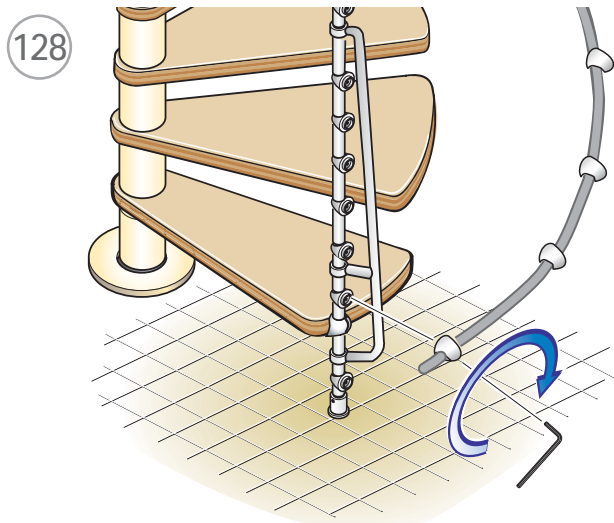
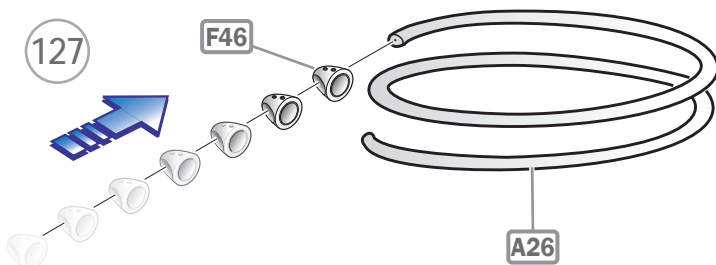


125

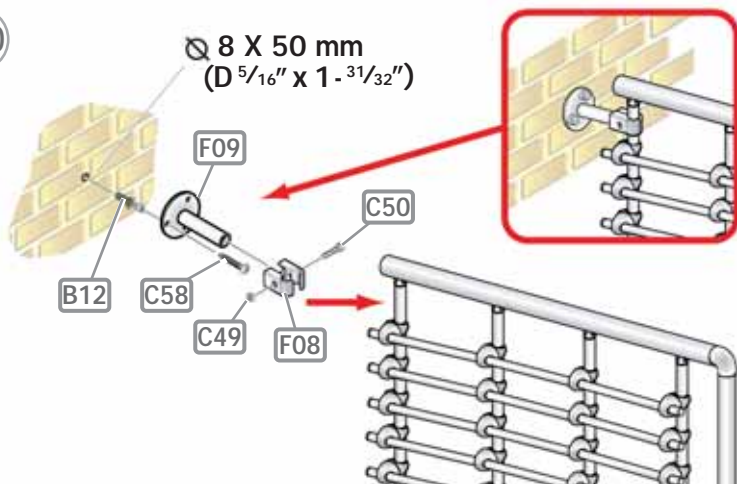


126

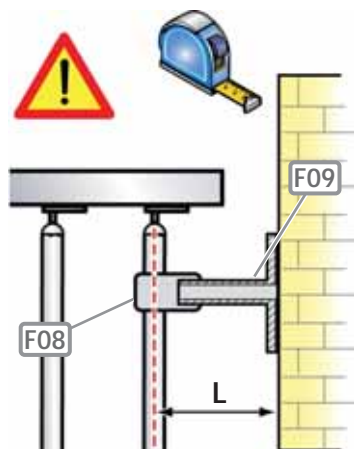




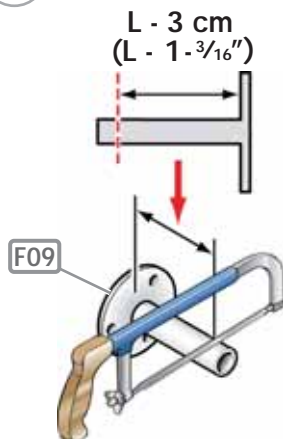
130



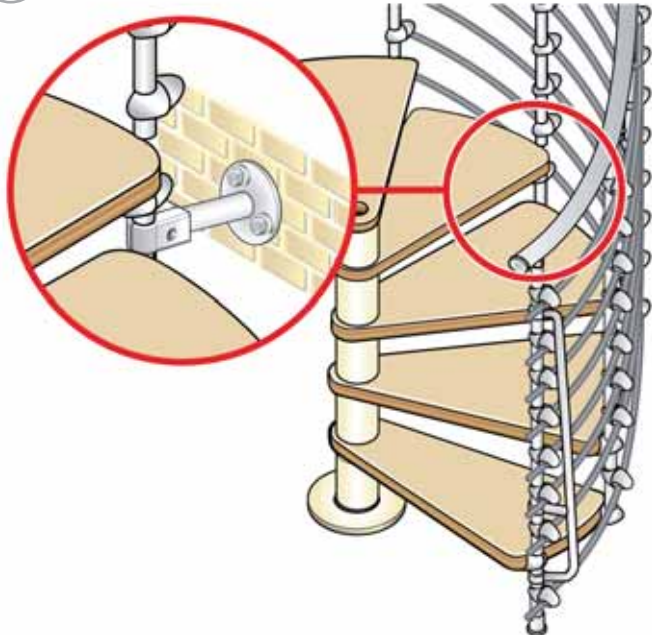
131



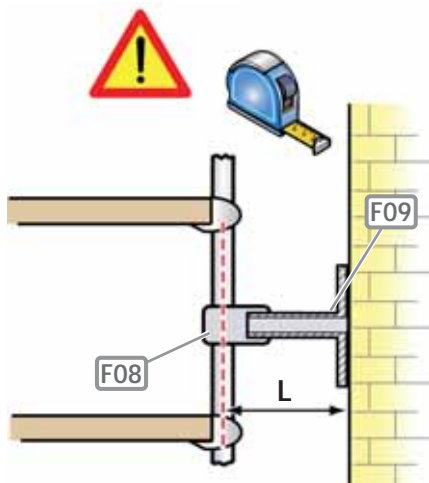
132



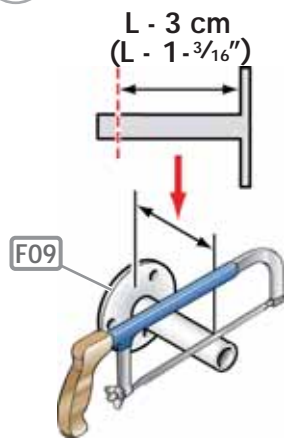
133

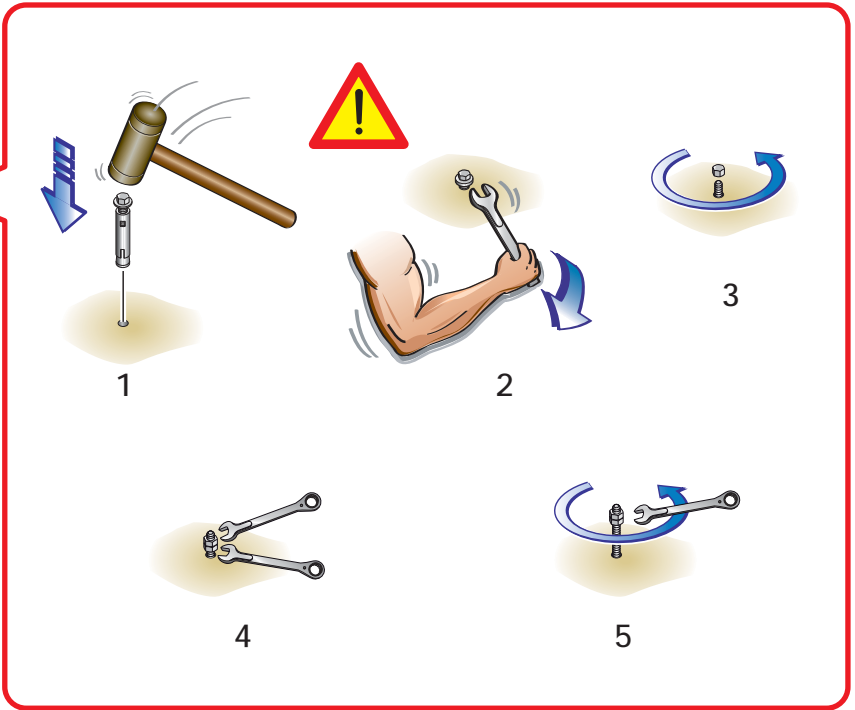
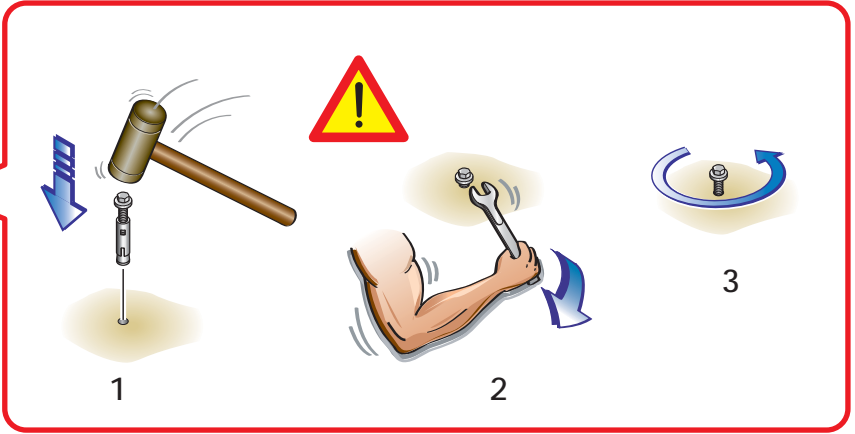


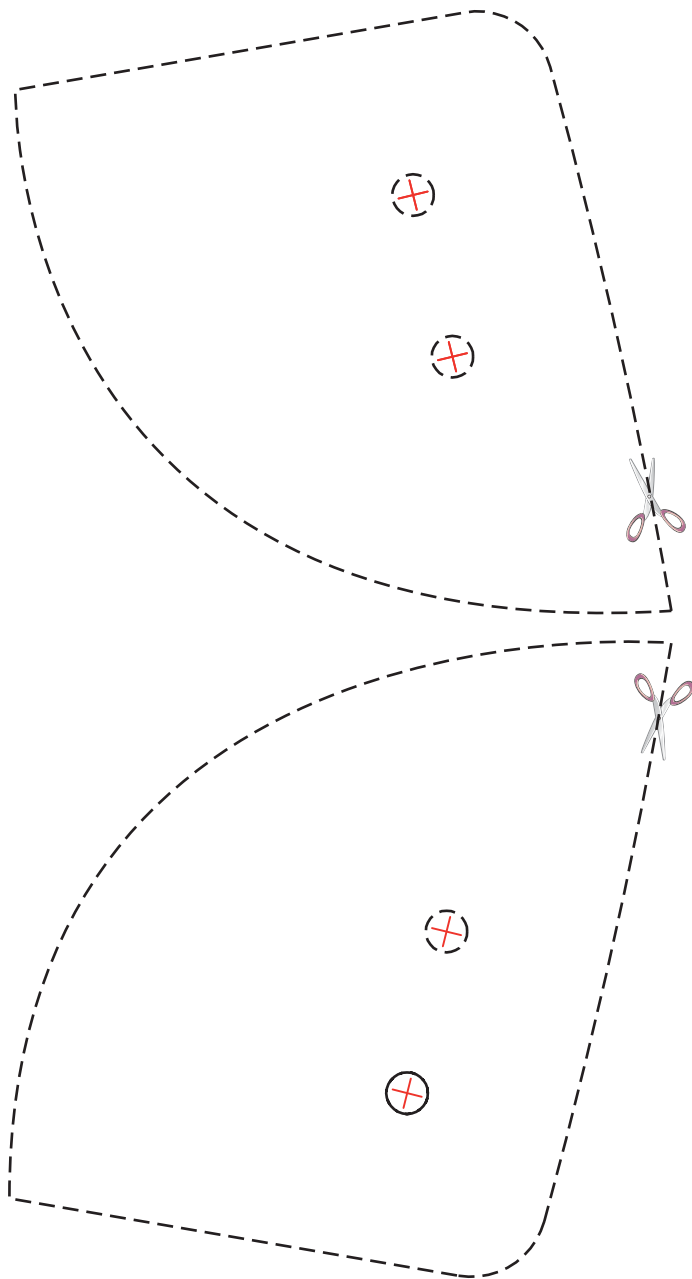
134



135





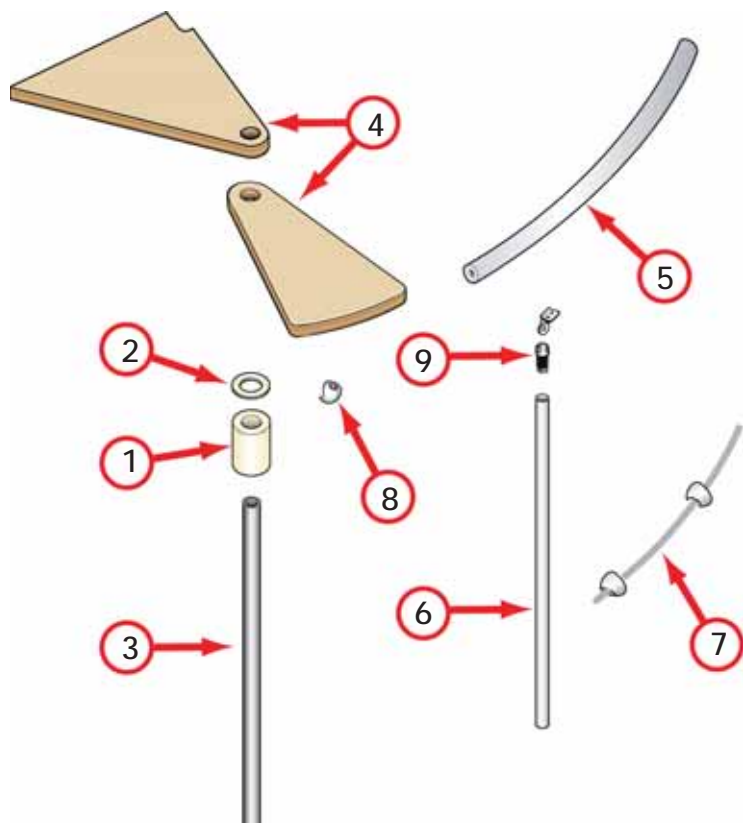




Italiano
English
Français
Español

DATI IDENTIFICATIVI DEL PRODOTTO
PRODUCT DETAILS
DONNÉES D'IDENTIFICATION DU PRODUIT
DATOS DE IDENTIFICACIÓN





IT)

dati identificativi del prodotto

denominazione commerciale:

OAK 70Xtra D. 63" (Ø 160 cm) USA

tipologia: scala a chiocciola a pianta tonda

materiali impiegati

STRUTTURA

descrizione

composta da distanziali (1) in metallo e spessori (2) in plastica impilati e compressi sul palo (3) centrale modulare

materiali

distanziali: Fe 370

spessori: nylon

palo: Fe 370 zincato

finitura

distanziali: verniciatura a forno con polveri epossidiche

GRADINI

descrizione

gradini (4) in legno circolari impilati sul palo (3) centrale

materiali

rovere

finitura

tinta: all'acqua

fondo: poliuretano

finitura: poliuretano

RINGHIERA

descrizione

composta da colonnine (6) verticali in metallo fissate ai gradini (4), da corrimano (5) e tubi (7) in PVC

materiali

colonnine: Fe 520

corrimano: PVC con anima in alluminio

tubi (7): PVC

finitura

colonnine: verniciatura a forno con polveri epossidiche

fissaggi (8): zama

fissaggi (9): nylon

PULIZIA

pulire con panno morbido inumidito in acqua, privo di qualsiasi prodotto contenente solventi o materiali abrasivi.

MANUTENZIONE

dopo circa 12 mesi dalla data di installazione, controllare il serraggio della viteria dei vari componenti. la manutenzione straordinaria deve essere eseguita a regola d'arte.

PRECAUZIONI D'USO

evitare usi impropri e non consoli al prodotto. eventuali manomissioni o installazioni non rispondenti alle istruzioni del produttore possono inficiare le conformità prestabilite del prodotto.

EN)

product details

trade name:

OAK 70Xtra D. 63" (Ø 160 cm)

type: round spiral staircase

used materials

STRUCTURE

description

composed by metal spacers (1) and plastic spacers (2) stacked and packed on the central modular pole (3)

materials

spacers: Fe 370

plastic spacers: nylon

pole: Fe 370 galvanized

finishing

spacers: oven varnishing with epoxy powders

TREADS

description

wooden circular treads (4) stacked on the central pole (3)

materials

oak

finishing

colour: water-base

undercoat: polyurethane

finishing: polyurethane

RAILING

description

composed by metal vertical balusters (6) fixed to treads (4), by PVC tubes (7) and handrail (5)

materials

balusters: Fe 520

handrail: PVC with aluminium core

tubes (7): PVC

finishing

balusters: oven varnishing with epoxy powders

fixings (8): zamak

fixings (9): nylon

CLEANING

clean with a soft wet cloth, without any product containing solvents or abrasive materials.

MAINTENANCE

about 12 months after the installation date, check the tightening of bolts on the various components. all non-routine maintenance procedures must be carried out in a strictly professional manner.

USE PRECAUTION

avoid any improper use that is not in accordance with the product. possible violations or installations which don't comply with the providers instructions can invalidate the agreed product conformities.

FR) données d'identification du produit

denomination commerciale:

OAK 70Xtra D. 63" (Ø 160 cm) USA

typologie: escalier en colimaçon à plan rond

materiaux utilisés

STRUCTURE

description

composée de entretoises (1) en métal et cales (2) en plastique empilées et comprimées sur le pylône (3) modulaire central

materiaux

entretoises: Fe 370

cales: nylon

pylône: Fe 370 galvanisé

finition

entretoises: vernissage à chaud avec poudres époxy

MARCHES

description

marches (4) en bois circulaires empilées sur le pylône (3) central

materiaux

chêne

finition

verniz: à l'eau

mordant: polyuréthanique

finition: polyuréthanique

GARDE-CORPS

description

composé de colonnettes (6) verticales en métal fixées aux marches (4) par des tubes en PVC (7) et d'une main courante en PVC (5)

materiaux

colonnettes: Fe 520

main courante: PVC avec noyau en aluminium

tubes (7): PVC

finition

colonnettes: vernissage à chaud avec poudres époxy

fixations (8): zama

fixations (9): nylon

NETTOYAGE

nettoyer avec un chiffon souplé humidifié à l'eau, sans aucun produit contenant des solvants ou matières abrasives.

ENTRETIEN

après environ 12 mois de la date d'installation, contrôler le serrage de la visserie et des différents éléments. l'entretien extraordinaire doit être exécuté dans les règles de l'art.

PRECAUTION D'UTILISATION

éviter l'utilisation impropre et non conforme au produit. d'éventuelles alterations ou installations non correspondantes aux instructions du producteur peuvent invalider les conformités préétablies du produit.

ES) datos de identificación del producto

denominación comercial:

OAK 70Xtra D. 63" (Ø 160 cm) USA

tipo: escalera de caracol de planta redonda

materiales empleados

ESTRUCTURA

descripción

compuesta por distanciadores (1) de metal y espaciadores (2) de plástico enfilados y comprimidos en la columna (3) central modular

materiales

distanciadores: Fe 370

espaciadores: nylon

columna central: Fe 370 galvanizado

acabado

distanciadores: barnizado en horno con polvos

epoxídicos

PELDAÑOS

descripción

peldaños (4) circulares de madera enfilados en la columna (3) central

materiales

roble

acabado

barniz: al agua

imprimación: poliuretánica

acabado: poliuretánico

BARANDILLA

descripción

compuesta por barrotes (6) verticales de metal fijados a los peldaños (4), por tubos (7) y por un pasamanos (5) ambos de PVC

materiales

barrotes: Fe 520

pasamanos: PVC con alma de aluminio

tubos (7): PVC

acabado

barrotes: barnizado en horno con polvos epoxídicos

fijaciones (8): zama

fijaciones (9): nylon

LIMPIEZA

limpiar con un trapo suave humedecido con agua y sin utilizar ningún producto que contenga disolventes o materiales abrasivos.

MANTENIMIENTO

transcurridos unos 12 meses desde la fecha de instalación, comprobar que los tornillos que fijan las distintas partes sigan bien apretados. el mantenimiento extraordinario debe ser efectuado como corresponde.

PRECAUCIONES DE USO

evitar usos impropios y no conformes con el producto. eventuales manipulaciones o instalaciones que no cumplan con las instrucciones del fabricante pueden menoscabar las cualidades certificadas en las pruebas de conformidad a las que previamente fue sometido el producto.



**Oak
70x
(160)**

D.U.M.
12/2013

fontanot®

arkè by Fontanot
Albini & Fontanot S.p.A.
via P. Paolo Pasolini, 6
47853 Cerasolo Ausa
Rimini, Italy

tel. +39.0541.90.61.11
fax. +39.0541.90.61.24
info@arkestairs.com
www.arkestairs.com

cod. 066905000

Design: Centro Ricerche Fontanot

ADIMEMBER

Sistema aziendale Albini & Fontanot S.p.A.
certificato CSQ ISO-9001

