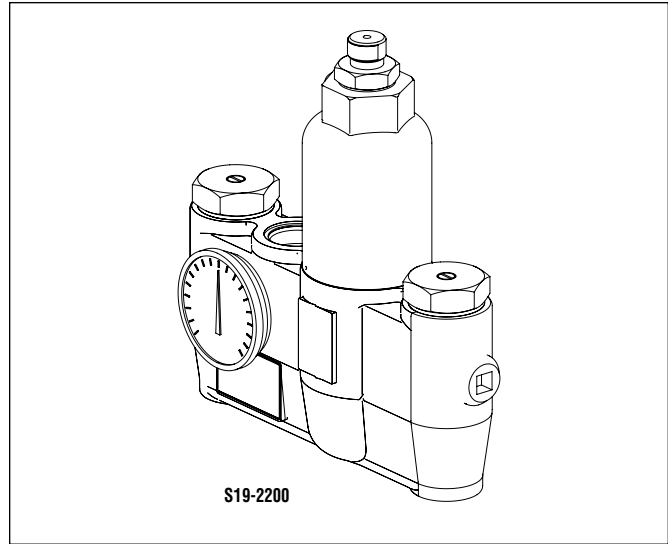


- Exceeds ANSI Z358.1
- Reliable Liquid-Filled Thermostat with 10-Year Warranty
- Integral Strainer Checkstops on Inlets
- Adjustable Set Point within Temperature Range
- Accurate Temperature Control to within $\pm 3^\circ\text{F}$
- Built-in Cold Water Bypass, Assuring Cold Flow
- Positive Shutoff of Hot Supply When Cold Supply is Lost
- Easy Installation and Serviceability
- Dirt and Lime Resistant
- Dial Thermometer
- Factory Assembled and Tested
- Universal Mounting Capability
- Cabinet Features:
 - 18 Gauge Body & Door
 - Left-Hand Hinge
 - Cylinder Lock
 - Inlet/Outlet Knock-Out Holes for Mounting Flexibility
 - Stainless Steel or Baked White Enamel Finishes
 - Surface-Mounted or Recessed Style



S19-2200

Valve Specifications

Maximum Operating Pressure

125 PSI (860 kPa)

Maximum Inlet Temperature

180° F (82° C)

Recommended Inlet Temperature

120° F (49° C) – 140° F (60° C)

Temperature Range

Std. 65° F (18° C) to 90° F (32° C)

Set Point

85° F (29° C)

Flow Capacities – GPM (L/Min)

Model	Min. Flow	Pressure Drop – PSI (Bar)						
		5 (.5)	10 (1.0)	15 (1.5)	20 (2.0)	30 (2.5)	45 (3.0)	60 (4.0)
S19-2200	2.0 (7.5)	22.0 (99.5)	31.0 (141.0)	38.0 (172.5)	43.5 (199.0)	53.5 (222.5)	65.5 (244.0)	75.5 (281.5)
Cold Bypass Only		16.5 (76.3)	23.5 (108.0)	29.0 (132.0)	33.5 (152.5)	41 (170.5)	50.0 (187.0)	58.0 (216.0)



This plumbing fixture is not intended to dispense water for human consumption through drinking or for preparation of food or beverages.

Engineer's Approval _____

Models (Must select one)

Model	Description
<input type="checkbox"/> S19-2200	EFX60-Thermostatic Mixing Valve

Optional Selections

Finish

C Chrome Plated

Bracket

B Wall Mounting Bracket

Piped Assembly

P Piped Assembly with Inlet and Outlet Shutoff

N Piped Assembly only

Cabinets

SS Surface Mount Stainless Steel

RS Recessed Stainless Steel

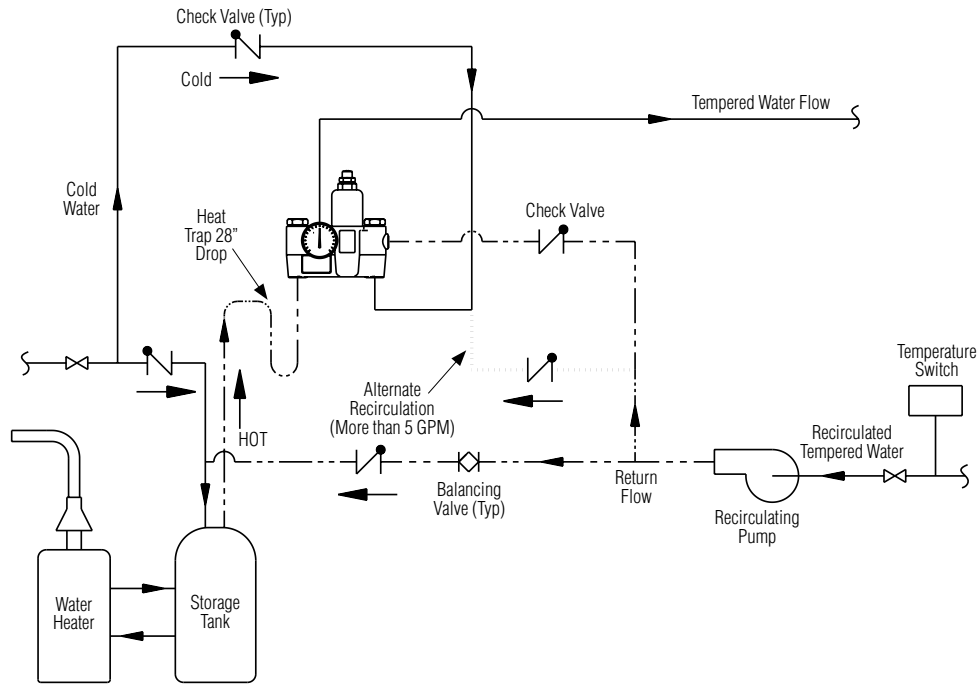
SE Surface Mount White Enamel

RE Recessed White Enamel

W Plexi-glass Window in Door

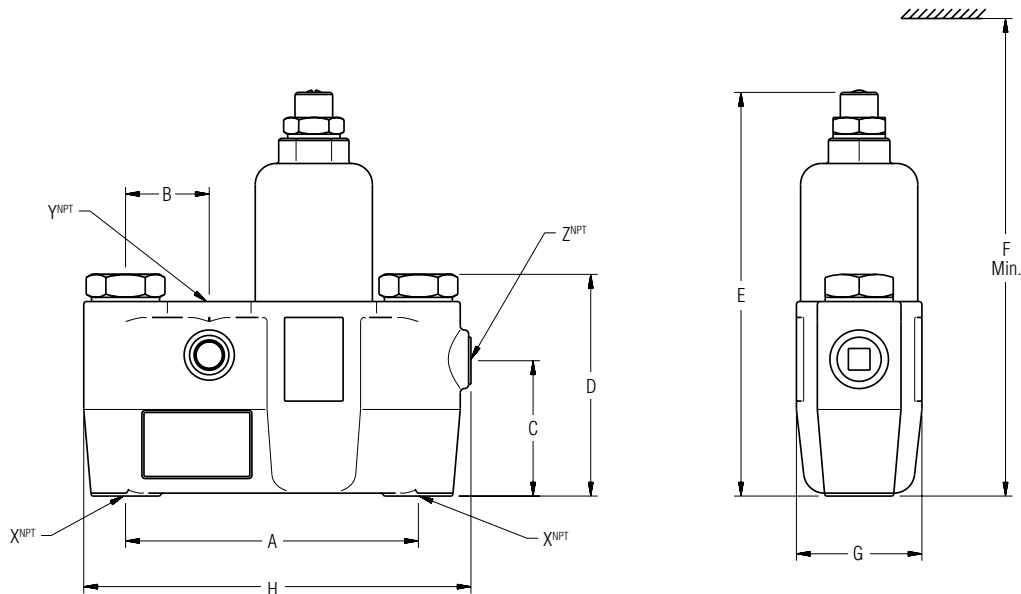
Recirculation Diagram

(mm)



Dimensions

Model	A	B	C	D	E	F	G	H	X ^{NPT}	Y ^{NPT}	Z ^{NPT}
S19-2200	8-3/4" (224)	2-1/2" (64)	3-1/2" (89)	5-1/4" (135)	12-1/4" (312)	19" (483)	3-5/8" (91)	11-3/8" (290)	1"	1-1/4"	3/4"

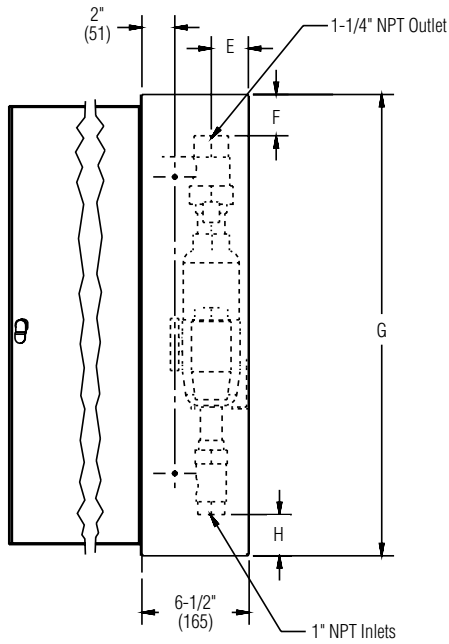


Dimensions — Surface-Mounted Cabinet

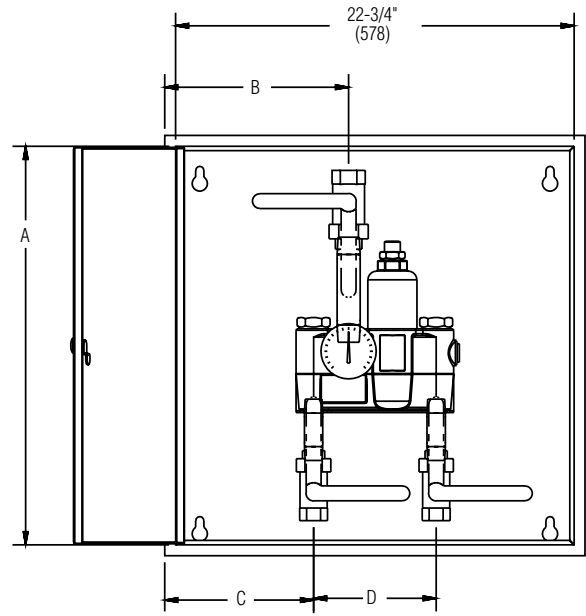
(mm)

Model	A	B	C	D	E	F	G	H	I	J	K	L
S19-2200	26-3/4" (679)	10-3/16" (259)	7-5/8" (194)	8-3/4" (222)	2-1/4" (57)	2-1/2" (64)	28" (711)	2-1/2" (64)	5-1/8" (130)	9-3/4" (248)	24" (610)	9-3/16" (233)

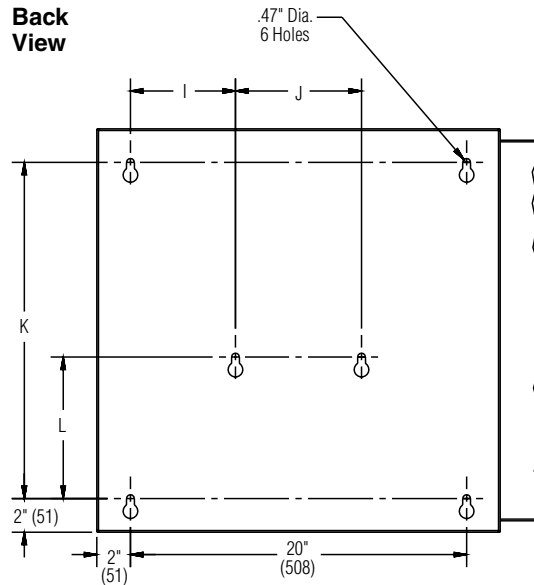
Side View



Front View



Back View

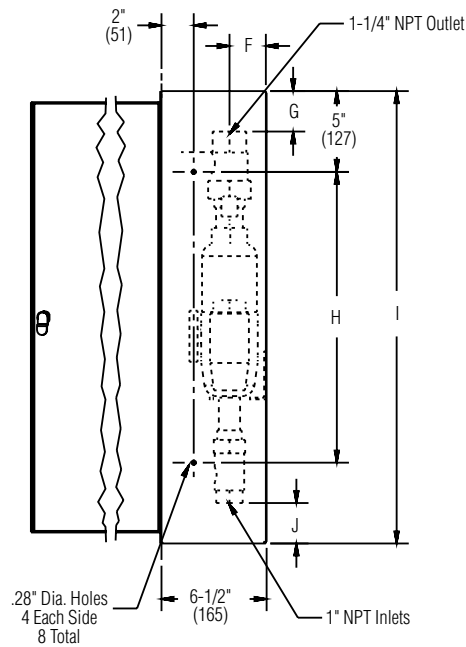


Dimensions — Recessed Cabinet

(mm)

Model	A	B	C	D	E	F	G	H	I	J
S19-2200	30" (762)	26-3/4" (679)	10-3/16" (259)	7-5/8" (194)	8-3/4" (222)	2-1/4" (57)	2-1/2" (64)	18" (457)	28" (711)	2-1/2" (64)

Side View



Front View

